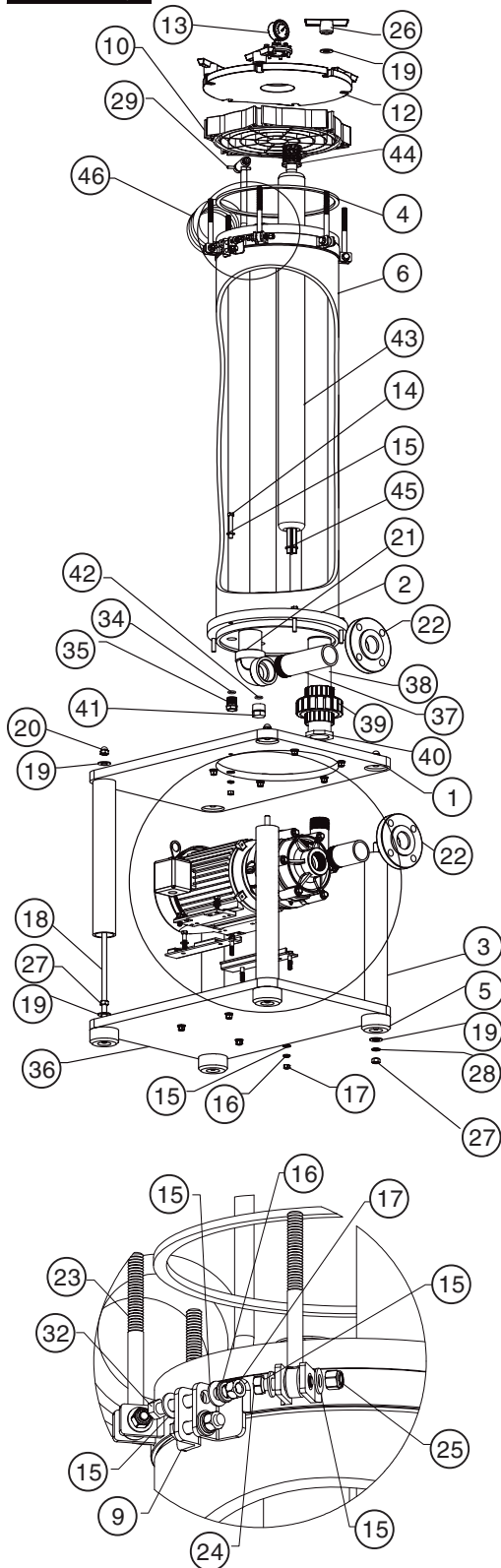
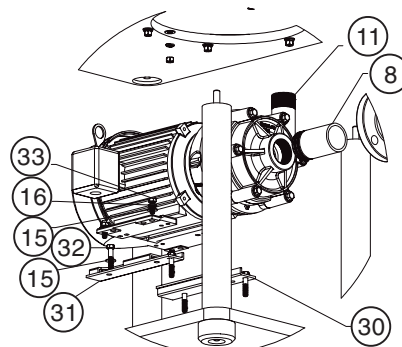




SERIES 'GJ' SPACE-SAVER FILTRATION SYSTEMS



ITEM	DESCRIPTION	QTY.	PART NO.
1	Plate base, top w/no carbon	1	88-3531 P
2	Hold down bracket, 12"	1	88-3538 P
3	Pipe leg, 2" dia. x 17½" long	4	88-3571 P
4	Gasket, 12.8 x 11.97 x ¼" thick	1	22-0668
5	Foot, base stand	4	88-3421 P
6	Shell, 40" long "GJ" chamber	1	88-3539 4C
7	Base, filter chamber	1	88-3537 C
8	Nipple, outlet, 2" dia. x 4" long	2	33-8116 C
9	Swing bolt bracket	1	77-0788
10	Filter cover	1	88-2683
11	HE Pump	1	
12	Top support plate	1	99-0304
13	Gauge guard assembly	1	99-0732
14	Hex head bolt	6	11-2119
15	Flat washer	40	11-0126
16	Lock washer	16	11-0140
17	Nut, hex fin full	12	11-0105
18	Stud, threaded	4	11-2196
19	Flat washer	18	11-0861
20	Acorn nut	4	11-0867
21	Elbow, 90 degrees threaded	1	33-0997
22	Flange, 2" dia. socket	2	33-0834
23	Swing bolt	6	11-0474 1
24	Hex head bolt	6	11-0444 1
25	Hex nut, nyloc	6	11-0519
26	Tee handle	6	11-0266
27	Ful hex nut	8	11-0106
28	Lock washer	4	11-0343
29	Vent valve assembly	1	33-0051
30	Motor mounting bracket (right)	1	66-0600 1A
31	Motor mounting bracket (left)	1	66-0600 1B
32	Hex head bolt	6	11-0374
33	Hex head bolt	4	11-0375
34	"O"-ring, 2-210 for ¾" NPT- EPDM	1	22-0570
35	Plug, pipe molded	1	33-0211
36	Base plate, bottom	1	88-3530 P
37	Nipple, outlet, 2" dia. x 7" long	1	33-8118 C
38	Pipe, inlet, 2" dia. x 6-7/8" long	1	33-8117 C
39	Union socket, 2" dia.	1	33-0291
40	Reducing bushing	1	33-5999
41	Plug, pipe molded	1	33-0212
42	"O"-ring	1	22-0605
43	Filter cartridge	12	
44	Compression top seat spring	12	77-0844
45	Cross-post w/groove & ring	12	88-0352 4
46	Hose	1	22-0444



F.O.B. Northbrook, Illinois

Terms: Net 30 Days

Minimum order \$25.00

SERFILCO[®], LTD.

2900 MacArthur Blvd. 847-509-2900
Northbrook, IL 60062-2005 U.S.A. 800-323-5431
e-mail: sales@serfilco.com FAX: 847-559-1995
www.serfilco.com

WESTERN
310-532-0801
FAX: 310-532-0866