

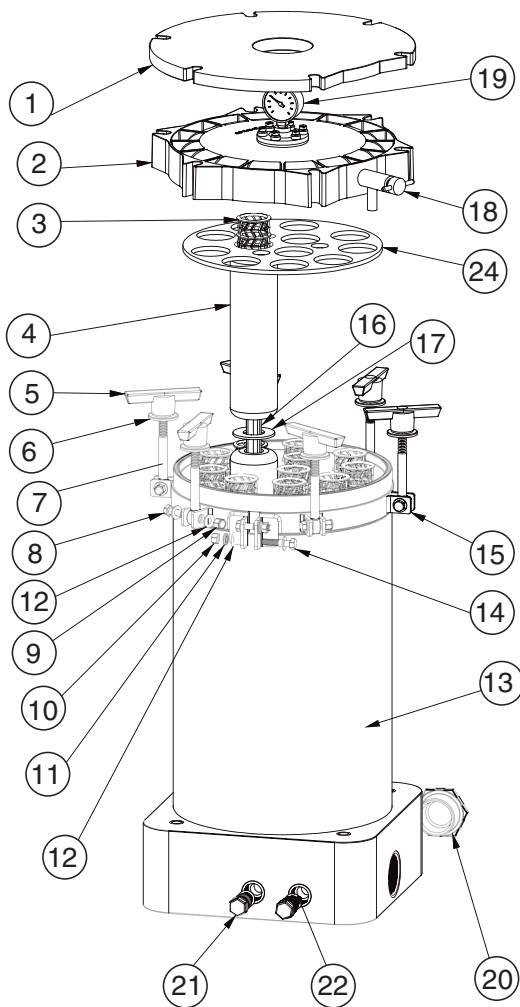


SERIES 'GC' FILTER CHAMBER

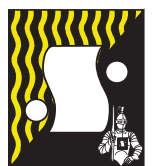
CHAMBERS MANUFACTURED BEFORE JAN. 2006
CHAMBERS MANUFACTURED AFTER JAN 2006 SEE PART LIST P-5526

Refer to Bulletin C-113 and Master Price List F-800.

MODELS	PRICE CODE NUMBER
PL240(2)SC 2 G3A	78-1671 P
PL360(3)SC 2 G3A	78-1672 P
PL480(4)SC 2 G3A	78-1673 P
PL600(5)SC 2 G3A	78-1674 P
CL240(2)SC 2 G3A	78-1671 C
CL360(3)SC 2 G3A	78-1672 C
CL480(4)SC 2 G3A	78-1673 C
CL600(5)SC 2 G3A	78-1674 C



ITEM	DESCRIPTION	MODEL	PART NO.
1	Top support plate - FRP	All models	99-0304
2	Cover - molded CPVC	All models	88-2683
2A	Gasket - EPDM - Viton (optional)	All models	22-0667 22-0668
3	Compression top seat/spring - polypropylene (std) Top seat plate assembly (12 req'd) (optional) Includes cap, spring & top seat plate Top seat plate - CPVC (12 req'd) Hold down spring - vinyl coated 316 stn. steel (12 req'd) Spring guard cap, CPVC (12 req'd)	All models All models All models All models All models	77-0844 77-0916 77-0701 A 77-0301 1 77-0911
4	Filter cartridge - Refer to product bulletin	-	-
5	Tee handle, 1/2"-13 - polypropylene (6 req'd)	All models	11-0266
6	Flat washer, 1/2" - stainless steel (6 req'd)	All models	11-0619
7	Swing bolt, 1/2"-13 x 5-3/4" long - stainless steel (6 req'd)	All models	11-0474 1
8	Hex head bolt, 3/8"-16 x 1-5/8" - stainless steel (6 req'd)	All models	11-0444 1
9	Hex nut nyloc, 3/8"-16 - stainless steel (6 req'd)	All models	11-0519
10	Hex nut, 3/8"-16 - stainless steel (2 req'd)	All models	11-0105
11	Lock washer, 3/8" - stainless steel (2 req'd)	All models	11-0140
12	Flat washer, 3/8" - stainless steel (16 req'd)	All models	11-0126
13	Base shell assembly - CPVC - PVC - CPVC - PVC - CPVC - PVC - CPVC - PVC	CL240 PL240 CL360 PL360 CL480 PL480 CL600 PL600	88-3491 2C 88-3491 2P 88-3491 3C 88-3491 3P 88-3491 4C 88-3491 4P 88-3491 5C 88-3491 5P
14	Hex head bolt, 3/8"-16 x 1-3/4" - stainless steel (2 req'd)	All models	11-0374
15	Swing bolt bracket - 316 stainless steel	All models	77-0788
16	Cross post - CPVC	240 360 480 600	88-0350 3 88-0351 3 88-0352 3 88-0353 3
17	Spacer - EPDM - Viton (optional)	All models	22-0218 22-0204
18	Vent valve assembly - CPVC	All models	33-0051
19	Type G3 gauge guard assembly	All models	99-0732
20	Plug, 2" NPT - CPVC	All models	33-0869
21	Plug, 3/4" NPT - CPVC (2 req'd)	All models	33-0211
22	"O"-ring (2 req'd) - EPDM - Viton (optional)	All models	22-0570 22-0563
24	Separator plate - CPVC	All models	88-0988
25	Vent valve hose, 1/2" x 5/8", 8' (not shown)	All models	22-0444
25A	Hose clamp, 5/8" OD hose (not shown)	All models	22-0911



SERFILCO®

2900 MacArthur Blvd. 847-509-2900
Northbrook, IL 60062-2005 U.S.A. 800-323-5431
e-mail: sales@serfilco.com FAX: 847-559-1995
www.serfilco.com