

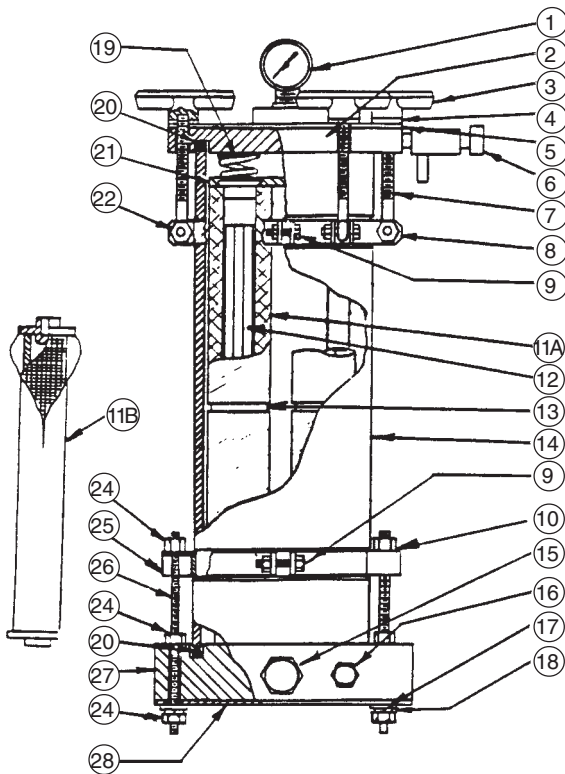


SERIES 'G' FILTER CHAMBER

MOLDED BASE & COVER

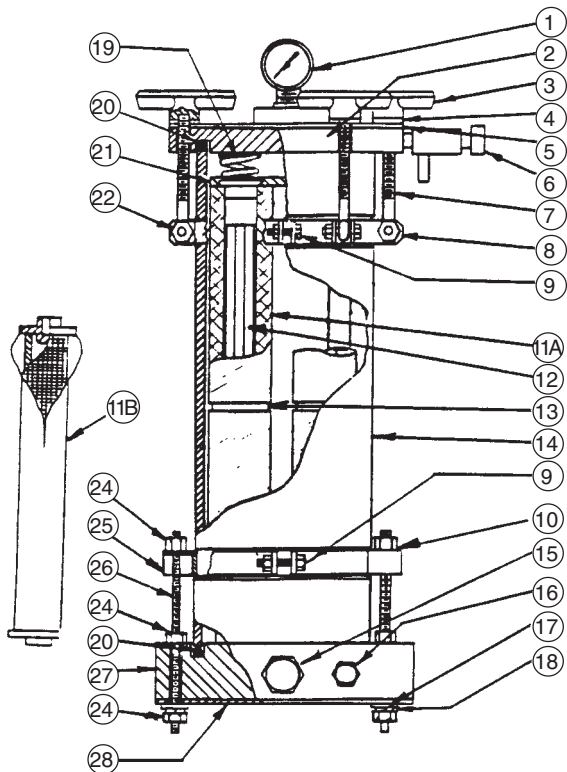
MODEL	PRICE CODE NO.	MODEL	PRICE CODE NO.	MODEL	PRICE CODE NO.	MODEL	PRICE CODE NO.
PPL120S 1½-G3A	78-1357	CVL120S 1½-G3A	78-0279	PL120S 1½-G3A	78-1136	CL120S 1½-G3A	78-1136C
PPL240S 1½-G3A	78-1358	CVL240S 1½-G3A	78-0261A	PL240S 1½-G3A	78-1137	CL240S 1½-G3A	78-1137C
PPL360S 1½-G3A	78-1359	CVL360S 1½-G3A	78-0262A	PL360S 1½-G3A	78-1138	CL360S 1½-G3A	78-1138C
PPL480S 1½-G3A	78-1360	CVL480S 1½-G3A	78-0263A	PL480S 1½-G3A	78-1139	CL480S 1½-G3A	78-1139C
PPL600S 1½-G3A	78-1361	CVL600S 1½-G3A	78-0264A	PL600S 1½-G3A	78-1140	CL600S 1½-G3A	78-1140C

Refer to Bulletin C-107, Operation and Service Guide O-885 and Master Price List F-800.



ITEM	DESCRIPTION	MODEL	PART NO.
1	Type G3A gauge guard assembly (Includes vent valve & item #6.) Refer to Parts List P-2300.	All models	99-0732B
2	Cover assembly - molded CPVC w/EPDM gasket w/Viton gasket (optional) - molded polypropylene w/EPDM gasket w/Viton gasket (optional)	PL, CL, CVL PPL	88-0977 1 88-0977 3 88-1421 1 88-1421 2
3	Tee handle, ½"-13 - polypropylene (6 req'd)	All models	11-0266
4	Flat washer, ½" size - stainless steel (6 req'd)	All models	11-0619
5	Cover plate - fiberglass	All models	99-0304
6	Vent valve only	All models	33-0051
7	Swing bolt, ½"-13 x 5-¾" long - stn. steel (6 req'd)	All models	11-0474 1
8	Swing bolt bracket - 316 SS	All models	77-0788
9	Hex head bolt, 3/8"-16 x 1¼" long - stn. steel Flat washer, 3/8" size - stainless steel Lockwasher, 3/8" size - stainless steel Hex nut, 3/8" size - stainless steel	All models	11-0374 11-0126 11-0140 11-0105
10	Flat washer, ½" size - stainless steel (4 req'd)	All models	11-0711
11A	Depth filter cartridge - Refer to Product Catalog.	All models	-
11B	Sleeve cartridge - Refer to Parts List P-8600.	All models	-
12	Depth tube guide - CPVC	120	88-0412
	Cross post - CPVC	240	88-0350 3
	"	360	88-0351 3
	"	480	88-0352 3
	"	600	88-0353 3
	Cross post - polysulfone	240	77-1233
	"	360	77-1234
	"	480	77-1235
	"	600	77-1236
	Cross post - titanium	240	77-1229
	"	360	77-1230
	"	480	77-1231
	"	600	77-1232
13'	Spacer - ethylene propylene - Viton (optional)	All models	22-0218 22-0204
14	Shell - vinyl lined fiberglass	CVL120 CVL240 CVL360 CVL480 CVL600	77-0828 2 77-0829 2 77-0830 2 77-0831 2 77-0832 2
	- vinyl liner	CVL120 CVL240 CVL360 CVL480 CVL600	99-0173 99-0204 99-0205 99-0206 99-0207
	Shell - PVC	PPL & PL120 PPL & PL240 PPL & PL360 PPL & PL480 PPL & PL600	77-0569 77-0569 1 77-0569 2 77-0569 3 77-0569 4
	Shell - CPVC	CL120 CL240 CL360 CL480 CL600	77-0017 77-0017 1 77-0017 2 77-0017 3 77-0017 4

1 Recommended spare parts
2 Guardian Filtration System bases use 1½" or 1¼" ports.
3 Support plate is not used on Guardian Filtration Systems.



- 1 Recommended spare parts
- 2 Guardian Filtration System bases use 1½" or 1¼" ports.
- 3 Support plate is not used on Guardian Filtration Systems.

ITEM	DESCRIPTION	MODEL	PART NO.
15	Plug, 1½" NPT - CPVC (2 req'd) - polypropylene (2 req'd) - EPDM 'O'-ring - Viton 'O'-ring (optional)	All models	33-0868 33-0868 PP 22-0573 22-0296
16	Plug, ¾" NPT - CPVC - polypropylene - EPDM 'O'-ring - Viton 'O'-ring (optional)	All models	33-0211 33-0211 PP 22-0570 22-0563
17	Flat washer, ½" size - stainless steel (4 req'd)	All models	11-0124
18	Lockwasher, ½" size - stainless steel (4 req'd)	All models	11-0343
19	Compression top seat/spring - polypropylene (std) Top seat plate assembly (12 req'd) Includes cap, spring & top seat plate Top seat plate - CPVC (optional) (12 req'd) Hold down spring - vinyl coated 316 stn. steel (12 req'd) Spring guard cap, CPVC (12 req'd)	All models All models All models All models All models	77-0844 77-0916 77-0701 A 77-0301 1 77-0911
20 ¹	Flat gasket, cover & base - EPDM (standard) - Viton® (optional) 'O'-ring (For use with covers manufactured prior to 10/11/82.) - EPDM - Viton	All models All models All models	22-0667 22-0668 22-0578 22-0594
21	Separator plate - CPVC	All models	88-0988
22	Hex head bolt, 3/8"-16 x 1-5/8" long - stainless steel (6 req'd) Flat washer, 3/8" size - stn. stl. (12 req'd) Hex nut, self-locking, 3/8"-16 - stn.stl. (6 req'd)	All models	11-0444 1 11-0126 11-0519
24	Hex nut, ½"-13 - stainless steel (4 req'd)	All models	11-0106
25	Hold-down bracket - 316 SS	All models	77-0795 1
26	Tie rod, ½"-13 x 7½" long - 316 stainless steel (4 req'd)	All models	77-0758
27	Base, 14" molded - CPVC (Plugs not included) w/1½" BSP ports (optional) - polypropylene (Plugs not Included)	CL, PL, CVL PPL	88-0974 1 88-1510 88-0974 4
28 ³	Bottom support plate - fiberglass	All models	77-0811
29 ²	Reducing bushing, 1½" x 1¼", not shown (2 req'd) - CPVC - polypropylene 'O'-ring - EPDM - Viton	Chambers w/1¼" ports	33-1137 1 33-1137 PP 22-0573 22-0296

®Viton is a Registered Trademark of DuPont Dow Elastomers.

F.O.B. Northbrook, Illinois

Terms: Net 30 Days

Minimum order \$25.00



SERFILCO®, LTD.

2900m MacArthur Blvd. 847-509-2900
Northbrook, IL 60062-2005 U.S.A. 800-323-5431
e-mail: sales@serfilco.com FAX: 847-559-1995
www.serfilco.com

WESTERN

13721 Alma Avenue 310-532-0801
Gardena, CA 90249-2513 FAX: 310-532-0866