

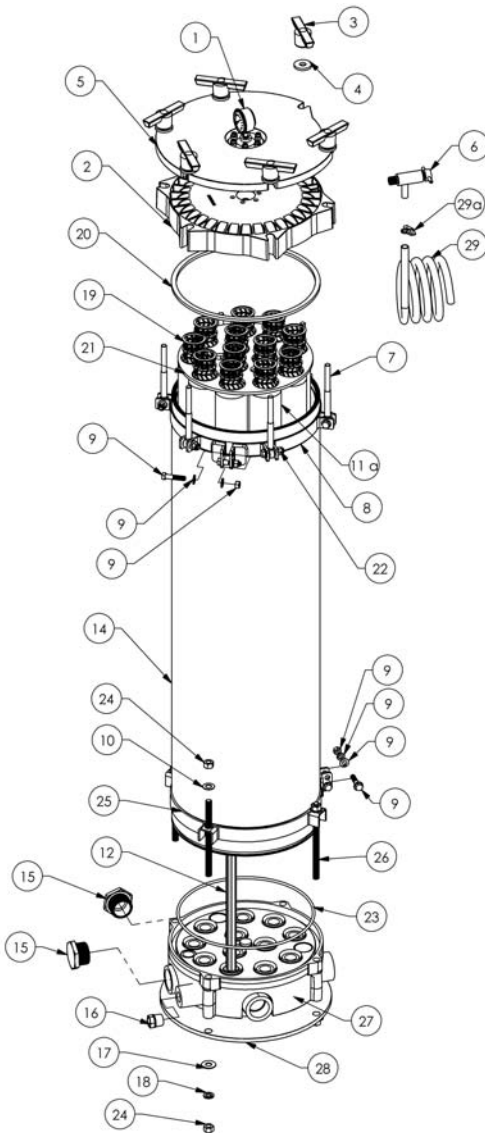
SERIES 'G' FILTER CHAMBER MOLDED BASE & COVER

PARTS LIST
P-5450
FEBRUARY 2003

MANUFACTURED AFTER 4/02

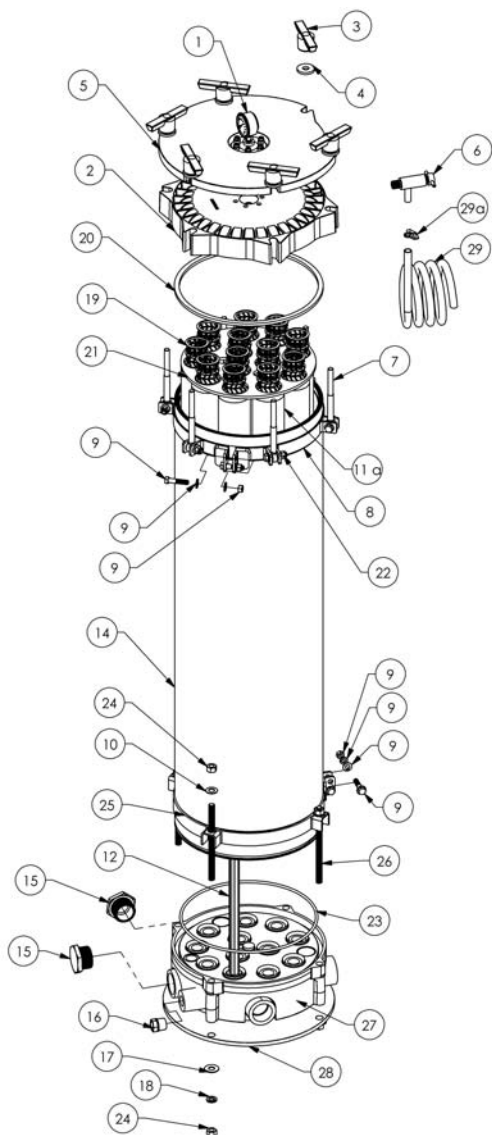
MODEL	PRICE CODE NO.	MODEL	PRICE CODE NO.	MODEL	PRICE CODE NO.
PL120SO-1-1/2-G3A	78-1711-P	CL120SO-1-1/2-G3A	78-1711-C	PPL120SO-1-1/2-G3A	78-1711-PP
PL240SO-1-1/2-G3A	78-1712-P	CL240SO-1-1/2-G3A	78-1712-C	PPL240SO-1-1/2-G3A	78-1712-PP
PL360SO-1-1/2-G3A	78-1713-P	CL360SO-1-1/2-G3A	78-1713-C	PPL360SO-1-1/2-G3A	78-1713-PP
PL480SO-1-1/2-G3A	78-1714-P	CL480SO-1-1/2-G3A	78-1714-C	PPL480SO-1-1/2-G3A	78-1714-PP
PL600SO-1-1/2-G3A	78-1715-P	CL600SO-1-1/2-G3A	78-1715-C	PPL600SO-1-1/2-G3A	78-1715-PP

Refer to Bulletin C-107. Operation and Service
Guide O-885 and Master Price List F-800.
Chambers mfd. Before 4/02 see Parts List P-5500



ITEM	TITLE	TITLE DESCRIPTION	MODEL	QTY.	PART NO.
1	GAUGE	GUARD ASSEMBLY - G3A REFER TO PARTS LIST P-2300	ALL MODELS	1	99-0732
2	COVER	MOLDED, CPVC MOLDED, PP	PL,CL PPL	1	88-2683 88-2683 1
3	HANDLE	TEE, 1/2"-13, PP	ALL MODELS	6	11-0266
4	WASHER	FLAT 1/2", SS	ALL MODELS	6	11-0619
5	PLATE	TOP SUPPORT, FRP	ALL MODELS	1	99-0304
6	VALVE	VENT 3/8 NPT	ALL MODELS	1	33-0051
7	BOLT	SWING, 1/2"-13 X 5 3/4" LONG, SS	ALL MODELS	6	11-0474 1
8	BRACKET	SWING BOLT - 316 SS	ALL MODELS	1	77-0788
9	BOLT WASHER WASHER NUT	HEX HEAD 3/8"-16 X 1 3/4" LONG, SS FLAT - 3/8" SIZE, SS LOCK -3/8" SIZE, SS HEX -3/8" SIZE, SS	ALL MODELS	4 8 4 4	11-0374 11-0126 11-0140 11-0105
10	WASHER	FLAT -1/2" SIZE, SS	ALL MODELS	4	11-0711
11a	CARTRIDGE	DEPTH FILTER-REFER TO PRODUCT CATALOG	ALL MODELS		-
11b	CARTRIDGE	SLEEVE-REFER TO PARTS LIST P- 8600	ALL MODELS		-
12	GUIDE	DEPTH TUBE, CPVC		120	88-0412
	CROSS POST	- CPVC		240 360 480 600	88-0350 3 88-0351 3 88-0352 3 88-0353 3
	CROSS POST	- POLYSULFONE		240 360 480 600	77-1233 77-1234 77-1235 77-1236
	CROSS POST	- TITANIUM		240 360 480 600	77-1229 77-1230 77-1231 77-1232
13 ¹	SPACER	CARTRIDGE (NOT SHOWN) EPDM (STD) VITON (OPT)	ALL MODELS		22-0218 22-0204
14	SHELL	PVC	PL120 PL240 PL360 PL480 PL600		77-0019 1P 77-0019 2P 77-0019 3P 77-0019 4P 77-0019 5P
	SHELL	CPVC	CL120 CL240 CL360 CL480 CL600		77-0019 1C 77-0019 2C 77-0019 3C 77-0019 4C 77-0019 5C
	SHELL & BASE ASS'Y	PP	PPL120 PPL240 PPL360 PPL480 PPL600		77-0030 1PP 77-0030 2PP 77-0030 3PP 77-0030 4PP 77-0030 5PP

¹ Recommended spare parts



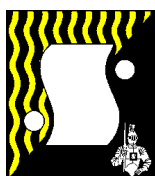
ITEM	TITLE	TITLE DESCRIPTION	MODEL	QTY.	PART NO.
15	PLUG	1-1/2" NPT - CPVC	ALL MODELS	2	33-0868
		O-RING		2	33-0868 PP 22-0573 22-0296
16	PLUG	3/4" NPT - CPVC	ALL MODELS		33-0211
					33-0211 PP 22-0570 22-0563
17	WASHER	FLAT - 1/2" SIZE -SS	ALL MODELS	4	11-0124
18	WASHER	LACK - 1/2" SIZE -SS	ALL MODELS	4	11-0343
19	SPRING PLATE	COMPRESSION TOP SEAT - PP (STD)	ALL MODELS	12	77-0844
		TOP SEAT ASSEMBLY (OPT) INCLUDES :CAP, SPRING & TOP SEAT PLATE	"		77-0916
		PLATE TOP SEAT - CPVC (OPT)	"	12	77-0701 A
		SPRING HOLD DOWN - VINYL COATED - 316 SS	"	12	77-0301 1
20	GASKET	FLAT, COVER - EPDM (STD)	ALL MODELS		22-0667
		- VITON (OPT)			22-0668
21	PLATE	SEPARATOR - CPVC	ALL MODELS		88-0988
22	BOLT WASHER NUT	HEX HEAD 3/8"-16 X 1-5/8" LONG - SS	ALL MODELS	6	11-0444 1
		FLAT - 3/8" SIZE - SS		12	11-0126
		HEX - SELF-LOCKING, 3/8"-16 - SS		6	11-0519
23	O-RING	EPDM (STD)	PL, CL		22-0876
		VITON (OPT)			22-0877
24	NUT	HEX 1/2"-13 - SS	ALL MODELS	12	11-0106
25	BRACKET	HOLD DOWN - 316 SS	ALL MODELS	12	77-0795 1
26	ROD	TIE, 1/2"-13 X 8" LONG - SS	ALL MODELS	4	77-1210
27	BASE	14" MOLDED (PLUGS NOT INCLUDED)	PL, CL		88-1584
		CPVC 1-1/2 NPT			88-1586
		1-1/2 BSP PORTS (OPT) PP-1-1/2 NPT, (INCL. IN ITEM 14)			PPL
28	PLATE	BOTTOM SUPPORT - FRP	ALL MODELS		77-0811
29	HOSE	VENT VALVE	ALL MODELS	8'	22-0444
29a	CLAMP	HOSE	ALL MODELS	1	22-0911

¹ Recommended spare parts

F. O. B. Northbrook, Illinois

Terms: Net 30 Days

Minimum order \$25.00



SERFILCO,® LTD.

2900 MacArthur Blvd
Northbrook, IL 60062-2005 USA
Email: sales @ serfilco.com
Web: www.serfilco.com

847-559-1777
800-323-5431
Fax: 847-559-1995

WESTERN REGIONAL OFFICE

13721 Alma Avenue 310- 532-0801
Gardena, CA 90249-2513 800-348-0801
Fax: 310-532-0866