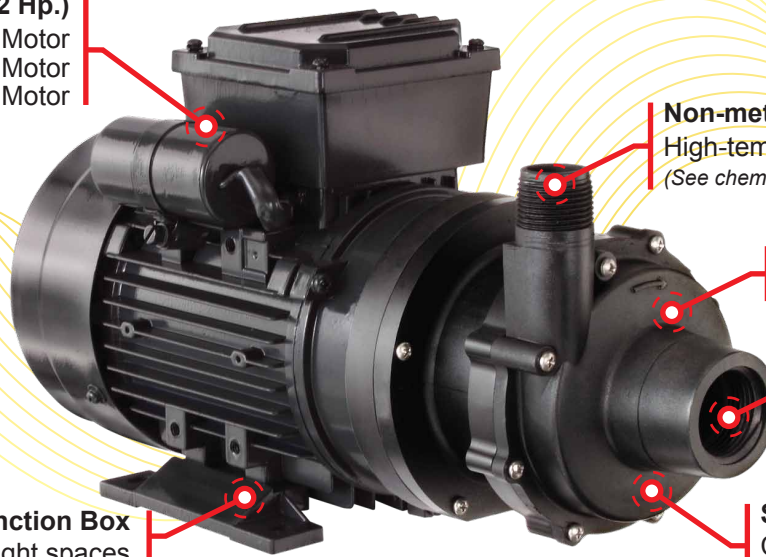




SERIES 'ME3,4 & 5' | Magnetic Coupled Pumps

Chemical Duty Motor (1/8-1/2 Hp.)

- IEC 56/B14 - 1/8 HP Motor
- IEC 63/B14 - 1/4 HP Motor
- IEC 71/B14 - 1/2 HP Motor



Non-metallic solution contact
High-temp PP and PVDF
(See chemical resistance guide T-102)

Centrifugal
Quiet & vibration free.

Flows To 19 U.S. GPM
or 35 ft. TDH @ 60Hz

Modular Feet and Junction Box
Can be reconfigured to fit in tight spaces

Standard Materials:
Carbon Bushing
FKM O-Ring

PERFORMANCE INFORMATION

MODEL KEY

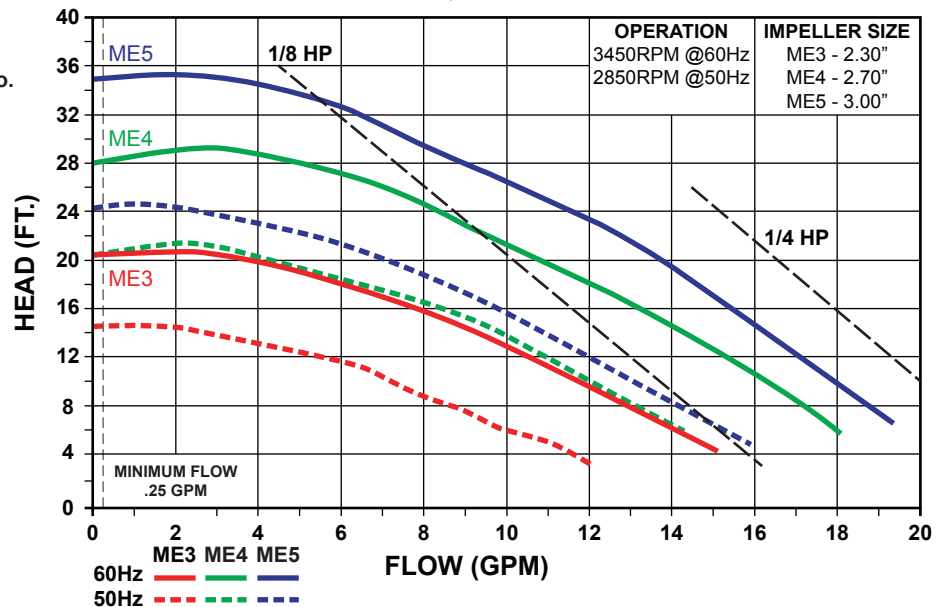
Choose pump type (ME3,4 or 5), then choose frame and motor size.

Add options to end of complete Price Code No.

PUMP TYPE		
MODEL	MODEL #	PCN
ME3	ME3	P-51-43
ME4	ME4	P-51-44
ME5	ME5	P-51-45

MATERIAL		
MATERIAL	ADD TO MODEL	ADD TO PCN
PP	MPVGC	1
PVDF	MKVGC	2

'ME3', 'ME4' & 'ME5'



PUMP TYPE				MOTOR			
MAG SET	FRAME SIZE	ADD TO MODEL	ADD TO PCN	MOTOR 50/60	1φ 115v	1φ 230v	3φ 230/460
6 POLE	IEC 56/B14	A	1	1/8 HP	-A	-B	N/A
	IEC 63/B14	B	2	1/4 HP	-C	-E	-G
8 POLE	IEC 71/B14	C	3	1/2 HP	-D	-F	-H

OPTIONS		
OPTION	MODEL NUMBER	ADD TO PCN
EPDM O-Ring	Change 'V' to 'L'	1
PTFE Bushing	Change 'C' to 'T'	T
Alumina Ceramic Bushing	Change 'C' to 'R'	R
BSP Threads	No Change	B

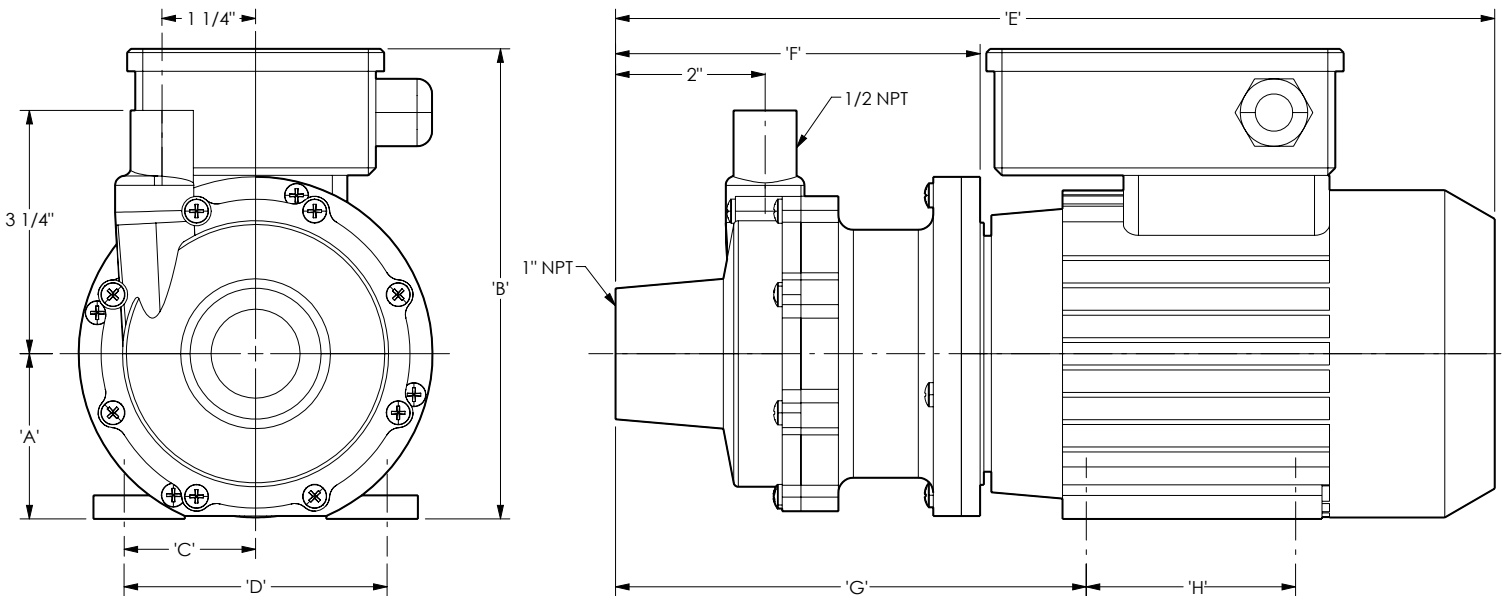


STANDARD MODELS

POLYPROPYLENE			
PART NUMBER	MODEL #	MOTOR VOLTAGE	S.G
P-51-4312-C1	ME3 MPLGCB-C.25	115V/1/50-60	2.00
P-51-4412-C1	ME4 MPLGCB-C.25	115V/1/50-60	1.33
P-51-4512-C1	ME5 MPLGCB-C.25	115V/1/50-60	1.14

PVDF PUMPS			
PART NUMBER	MODEL #	MOTOR VOLTAGE	S.G
P-51-4322-C	ME3 MKVGCB-C.25	115V/1/50-60	2.00
P-51-4422-C	ME4 MKVGCB-C.25	115V/1/50-60	1.33
P-51-4522-C	ME5 MKVGCB-C.25	115V/1/50-60	1.14

TECHNICAL INFORMATION



PUMP DIMENSIONS (mm)			
DIM	IEC 56/B14 (1/8HP)	IEC 63/B14 (1/4HP)	IEC 71/B14 (1/2HP)
A	56	63	71
B	160	171	183
C	44	50	56
D	89	100	111
E	299	325	338
F	124	124	131
G	161	172	179
H	71	80	90

PUMP DIMENSIONS (in)			
DIM	IEC 56/B14 (1/8HP)	IEC 63/B14 (1/4HP)	IEC 71/B14 (1/2HP)
A	2-7/32"	2-15/32"	2-13/16"
B	6-9/32"	6-3/4"	7-3/16"
C	1-3/4"	1-31/32"	2-3/16"
D	3-1/2"	3-15/16"	4-3/8"
E	11-25/32"	12-25/32"	13-5/16"
F	4-7/8"	4-7/8"	5-5/32"
G	6-11/32"	6-25/32"	7-1/32"
H	2-25/32"	3-5/32"	3-17/32"

** IEC 56/B14 Frame motors have top mounted junction box. Feet and junction box orientation can be modified.

F.O.B. Northbrook, Illinois

Specifications Subject to Change Without Notice.

Registered Trademark: Viton - DuPont Dow Elastomers



SERFILCO®

Chemical resistant pumps & filters engineered for industry

2900 MacArthur Blvd.
Northbrook, IL. 60062-2005 U.S.A (800) 323-5431
E-Mail: sales@serfilco.com (847) 509-2900
Web: www.serfilco.com (847) 559-1141

© 2021 SERFILCO Ltd, All Rights Reserved.