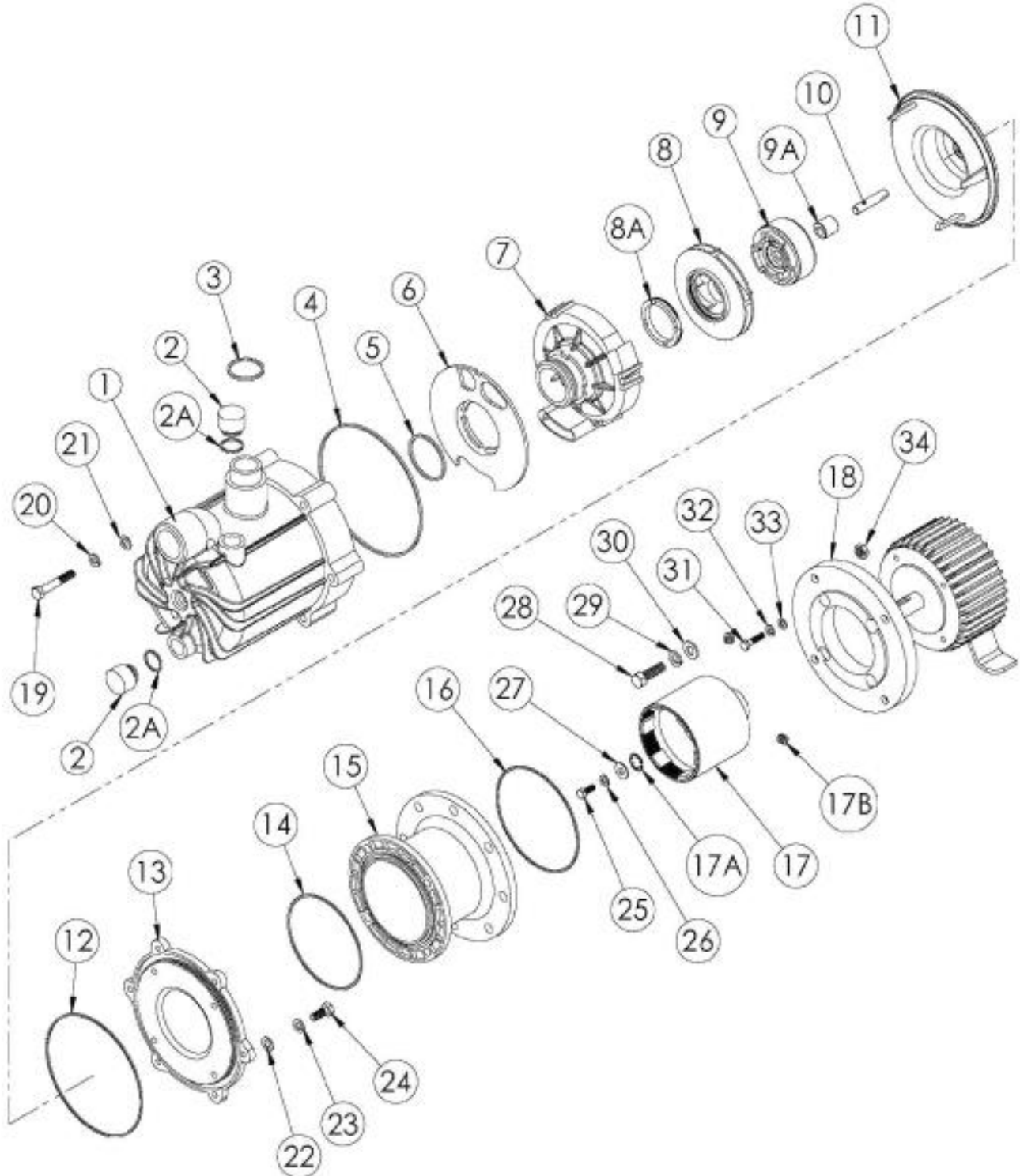




Chemical resistant pumps & filters engineered for industry

SERIES 'MES' | MAGNETIC COUPLED PUMPS EXPLODED VIEW PARTS LIST





Series 'MES' | Magnetic Coupled Pumps

No.	Description	Qty.	PP	PVDF
1	Housing, NPT BSP ANSI Flanges ANSI Flanges JIS Flanges Unions	1	67-6564 67-6564-2 67-6964-1 67-6964 67-6964-4 67-6965	67-6564-1 67-6564-3 67-6964-3 67-6964-2 67-6964-6 67-6965-1
2	Fill/Drain Plug	2	67-6143	67-6143-1
2A	Fill/Drain Plug O-Ring	2	EPDM FKM	22-2117 22-2117-V
3	Discharge O-Ring (BSP Housings Only)	1	EPDM FKM	22-2219 22-2219-V
4	Housing O-Ring	1	EPDM FKM	22-2257 22-2257-V
5	Inner Volute O-Ring	1	EPDM FKM	22-0340 22-0802
6	Separator Plate	1	67-6563	67-6563-1
7	Inner Volute w/ SiC Thrust Ring & Volute/Barrier Seal,	1	4.18" impeller AL ₂ O ₃ SiC 3.75" impeller AL ₂ O ₃ SiC 3.50" impeller AL ₂ O ₃ SiC 3.25" impeller AL ₂ O ₃ SiC	67-6568-2 67-6963-2 67-6568-6 67-6963-6 67-6568-8 67-6963-8 67-6568-10 67-6963-10 67-6568-3 67-6963-3 67-6568-7 67-6963-7 67-6568-9 67-6963-9 67-6568-11 67-6963-11
8	Impeller Assembly w/ Thrust Ring	1	4.18" impeller AL ₂ O ₃ SiC 3.75" impeller AL ₂ O ₃ SiC 3.50" impeller AL ₂ O ₃ SiC 3.25" impeller AL ₂ O ₃ SiC	67-6352 67-6353 67-6352-4 67-6353-4 67-6352-6 67-6353-12 67-6352-8 67-6353-8 67-6352-1 67-6353-1 67-6352-5 67-6353-5 67-6352-7 67-6353-13 67-6352-9 67-6353-9
8A	Impeller Thrust Ring Only	1	PTFE SiC	67-6257 67-6257-1
9	Impeller Drive,	1	6-pole Carbon bushing 8-pole 10-pole 6-pole PTFE bushing 8-pole 10-pole 6-pole Ceramic bushing 8-pole 10-pole 6-pole SiC Bushing 8-pole 10-pole	67-6361 67-6361-1 67-6361-2 67-6362 67-6362-1 67-6362-2 67-6363 67-6363-1 67-6363-2 67-6364 67-6364-1 67-6364-2 67-6361-3 67-6361-4 67-6361-5 67-6362-3 67-6362-4 67-6362-5 67-6363-3 67-6363-4 67-6363-5 67-6364-3 67-6364-4 67-6364-5
9A	Impeller Bushing Only	1	Carbon Filled PTFE Ceramic SiC	67-2387-J 67-2790-J 67-3617-J 67-3617-1J
10	Impeller Shaft	1	Ceramic SiC Hastelloy C	67-6293 67-6293-1 67-6293-2
11	Barrier w/ silicon carbide thrust washer	1		67-6235-6 67-6235-7
12	Barrier O-Ring		Std (opt) (opt)	Buna EPDM FKM
13	Clamp Ring	1	Std Painted (opt) Painted w/ non-sparking ring (opt) (opt) w/ non-sparking ring	Cast Iron Cast Iron SS SS
14	Clamp O-Ring	1	Std (opt) (opt)	Buna EPDM FKM



Series 'MES' | Magnetic Coupled Pumps

15	Motor Adapter				67-6248	67-6248-1
16	Motor Adapter O-Ring (NEMA Motors only),	Std (opt) (opt)	Buna EPDM FKM	1	22-0830 61-0254 61-0254-V	
17	Drive Magnet Assy. w/ Retaining Ring	56C frame	6-pole	1	67-6283 67-6283-1 67-6283-2	
		56C frame	8-pole			
		56C frame	10-pole			
		143/145TC frame	8-pole			
		143/145TC frame	10-pole			
		63 frame	6-pole			
		63 frame	8-pole			
		63 frame	10-pole			
		71 frame	6-pole			
		71 frame	8-pole			
71 frame	10-pole					
17A	Retaining Ring Only	56C frame		1	67-5708 67-5709 67-6310 67-6309 67-5711 67-5712	
		143/145TC frame				
		63 frame				
		71 frame				
		80 frame				
		90 frame				
17B	Set Screws (NEMA Motors Only)		3/8-16x3/8	2	67-1084-J	
18	Motor Adapter Flange (IEC Motors Only),	63/71 frame w/ B14		1	67-6271 67-5724-1 67-5725-1 67-6272 67-6273 67-6274	67-6271-1 67-5724-2 67-5725-2 67-6272-1 67-6273-1 67-6274-1
		80 frame w/ B14				
		90 frame w/ B14				
		63 frame w/ B5				
		71 frame w/ B5				
		80/90 frame w/ B5				

No.	Description	Qty.	SS	Ti	
19	Housing Hex HD Bolt M8-1.25x50mm	6	67-2789-J	67-6308	
20	Housing Lock Washer 5/16	6	11-0355	11-0355-T	
21	Housing Flat Washer 1/4 wide	6	67-5767	67-5768	
22	Clamp Ring Flat Washer 1/4 wide	4	67-5767	67-5768	
23	Clamp Ring Lock Washer 5/16	4	11-0355	11-0355-T	
24	Clamp Ring Hex HD Bolt M8-1.25x20mm	4	11-0905	11-0905-T	
25	Drive bolt (IEC Only), Hex HD	63 frame	M4-.7x10mm	67-6314	67-6315
		71 frame	M5-.8x12mm	67-6312	67-6313
		80 frame	M6-1x16mm	11-0904	11-0904-T
		90 frame	M8-1.25x20mm	11-0905	11-0905-T
26	Drive lock washer (IEC only),	63 frame	M4	67-6322	67-6323
		71 frame	M5	67-6320	67-6321
		80 frame	1/4	11-0322	11-0322-T
		90 frame	5/16	11-0355	11-0355-T
27	Drive Flat Washer (IEC Only),	63 frame	.172x.406x.049	67-6318	67-6319
		71 frame	.234x.531x.049	67-6316	67-6317
		80 frame	1/4 wide	67-5767	67-5708
		90 frame	7/16 narrow	11-0916	11-0916-T
28	Motor Adapter Hex HD Bolt,	4	11-0375	67-6311	
29	Motor Adapter Lock Washer	4	11-0140	11-2068	
30	Motor Adapter Flat Washer	4	67-0128-J	67-4207-J	
31	Motor Adapter Flange Hex HD Bolt (IEC Only),	63 frame	M5-.8x20mm	67-6348	67-6349
		71 frame	M6-1x16mm	11-0904	11-0904-T
		80 frame	M6-1x16mm	11-0904	11-0904-T
		90 frame	M8-1.25x20mm	11-0905	11-0905-T
32	Motor Adapter Lock Washer (IEC only),	63 frame	#10	67-3637-J	67-6350
		71 frame	1/4	11-0322	11-0322-T
		80 frame	1/4	11-0322	11-0322-T
		90 frame	5/16	11-0355	11-0355-T



Series 'MES' | Magnetic Coupled Pumps

33	Motor Adapter Flat Washer (IEC only),	63 frame	#10	4	11-0760	67-6351
		71 frame	1/4 SAE		67-0113-J	67-4204-J
		80 frame	1/4 SAE		67-1293-J	67-3845-J
		90 frame	5/16 SAE			
34	Motor Adapter Nut (IEC Only),	63&71 frame w/B14 flg.		4	67-8141	-

Product Bulletin:	P-520
Operation and Service Guide:	O-4060