

For standard 60HZ pump-motor combination, select model from TABLE I
For custom pump-motor combination, select from components in TABLE II

TABLE I

Select pump-motor model or flow curve number providing the desired performance

FLOW CURVE	POLYPROPYLENE PUMP / MOTOR		PVDF PUMP / MOTOR		* Motor HP shown will handle full flow to a S.G. of:
	MODEL NUMBER	PRICE CODE NUMBER	MODEL NUMBER	PRICE CODE NUMBER	
1	FE3MPVGC 1A-D3.0	51-1511-A	FE3MKVGC 1A-D3.0	51-1611-A	1.16
2	FE3MPVGC 2A-D5.0	51-1521-B	FE3MKVGC 2A-D5.0	51-1621-B	1.32
3	FE3MPVGC 3B-D7.5	51-1532-C	FE3MKVGC 3B-D7.5	51-1632-C	1.53
4	FE3MPVGC 4B-D10.0	51-1542-D	FE3MKVGC 4B-D10.0	51-1642-D	1.45
5	FE3MPVGC 5B-D15.0	51-1552-E	FE3MKVGC 5B-D15.0	51-1652-E	1.53

* For higher specific gravity or reduced flow, refer to HP required. Then refer to Table II and construct Model and Price Code Number accordingly

TABLE II

To determine pump-motor for a specific flow, TDH, and/or specific gravity, select flow/pressure point on performance curve (solid line). Required HP is determined by moving vertically to corresponding HP curve (dotted line) and then horizontally to HP scale. Multiply indicated HP by specific gravity of fluid to be pumped. Select pump materials and construct Model and Price Code.

EXAMPLE: PUMP + IMPELLER + FRAME + MOTOR = PRICE CODE NO.
 FE3MPVGC + 3 + B + -D5.0 = 51-1532-B

PUMP¹

MODEL NUMBER	PCN
FE3 MPVGC Polypropylene	51-15
FE3 MKVGC PVDF	51-16

IMPELLER

	FLOW CURVE	ADD TO	
		MODEL	PCN
60 HZ	1	1	1
	2	2	2
	3	3	3
	4	4	4
	5	5	5
50 HZ	2	2	2
	3	3	3
	4	4	4
	5	5	5
	6	6	6

¹ For pump only eliminate motor suffix from price code number.

² Three phase —
 208-230-460V/3/60 or
 220-380V/3/50

FRAME SIZE

MOTOR²

	HP/KW	FRAME SIZE	ADD TO		THREE PHASE	
			MODEL	PCN	MODEL	PCN
60 HZ	3.0	182/4 TC	A	1	-D3.0	A
	5.0	182/4 TC	A	1	-D5.0	B
	7.5	213/15 TC	B	2	-D7.5	C
	10.0	213/15 TC	C	2	-D10.0	D
	15.0	213/15 TC	C	2	-D15.0	E

50 Hz	2.0/1.5	90-B14	C	3	-DM1.5	F
	3.0/2.2	90-B14	C	3	-DM2.2	G
	4.0/3.0	100-B14	D	4	-DM3.2	H
	5.5/4.0	112-B14	E	5	-DM4.2	J
	7.5/5.5	132-B5	F	6	-DM5.5	K
	10.0/7.5	132-B5	F	6	-DM7.5	L

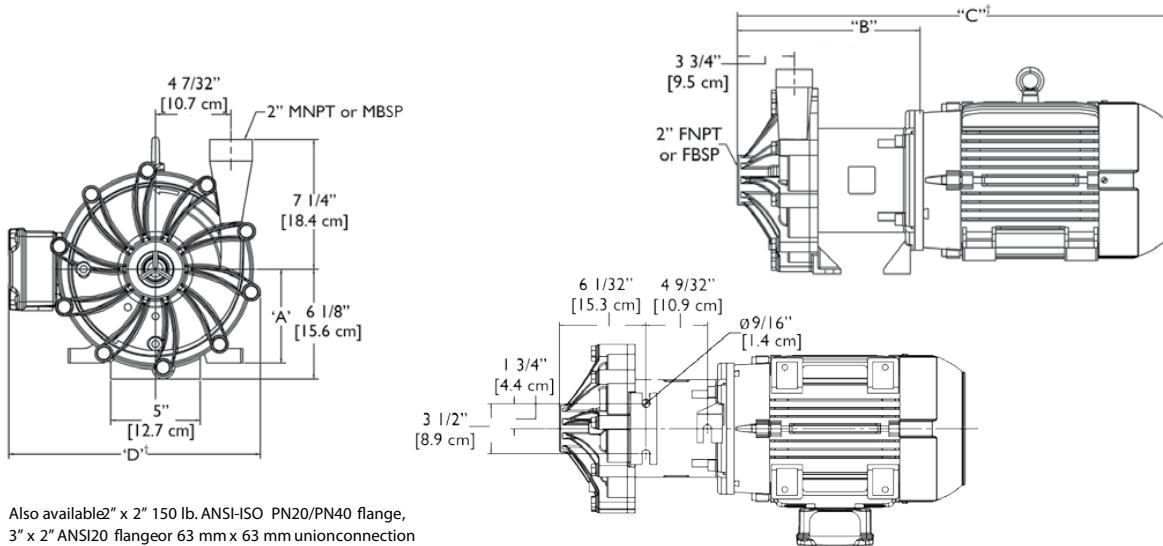


OPTIONAL, use Price Code Number

DESCRIPTION	ADD OR CHANGE MODEL	ADD TO PCN
O-RING: (Change V in Model)		
EPDM	-L	-1
Simriz	-Z	-3
Kalrez	-K	-4
Bushing: (Change C in Model)		
Teflon	-T	-T

DESCRIPTION	ADD OR CHANGE MODEL	ADD TO PCN
CONNECTIONS:		
BSP threads	-B	-B
Union	-U	-U
Flange	-F	-F
SPECIALS:		
SiC (bushing, thrust ring, shaft)	-S	-S
Hastelloy shaft	-H	-H
Titanium hardware	-M	-M
Non-Sparking ring	-N	-N
EXP MOTOR		
Also requires Non-Sparking ring	-X-N	-XN

DIMENSIONS



Also available 2" x 2" 150 lb. ANSI-ISO PN20/PN40 flange, 3" x 2" ANSI20 flange or 63 mm x 63 mm union connection

Motor Frame	A	B	C [†]	D [†]	Weight - lbs. [kg]	
					PP	PVDF
NEMA 184 TC	4-1/2" [11.4 cm]	11-13/32" [29.0 cm]	26-7/16" [67.2 cm]	12-15/32" [31.7 cm]	40 [18.1]	44 [20.0]
NEMA 213/215 TC	5-1/4" [13.3 cm]	12" [30.5 cm]	28-5/16" [71.9 cm]	14-1/32" [35.7 cm]	45 [20.4]	49 [22.2]
IEC 90 w/B14 or B5	3-17/32" [9.0 cm]	12-5/16" [31.2 cm]	23-5/16" [59.2 cm]	11-11/16" [29.7 cm]	48 [21.8]	52 [23.6]
IEC 100 w/B14 or B5	3-15/16" [10.0 cm]	12-5/16" [31.2 cm]	24-23/32" [62.8 cm]	12-1/8" [30.8 cm]	48 [21.8]	52 [23.6]
IEC 112 w/B14 or B5	4-13/32" [11.2 cm]	12-5/16" [31.2 cm]	25-15/32" [64.7 cm]	12-1/8" [30.8 cm]	48 [21.8]	52 [23.6]
IEC 132 w/B14 or B5	5-3/16" [13.0 cm]	12-3/8" [31.4 cm]	28-15/32" [72.3 cm]	14-3/16" [36.0 cm]	51 [23.1]	55 [24.9]

Note: Contact factory for dimension on flanged or union models. Dimensions and weights are for reference only.

[†]Varies with motor manufacturer