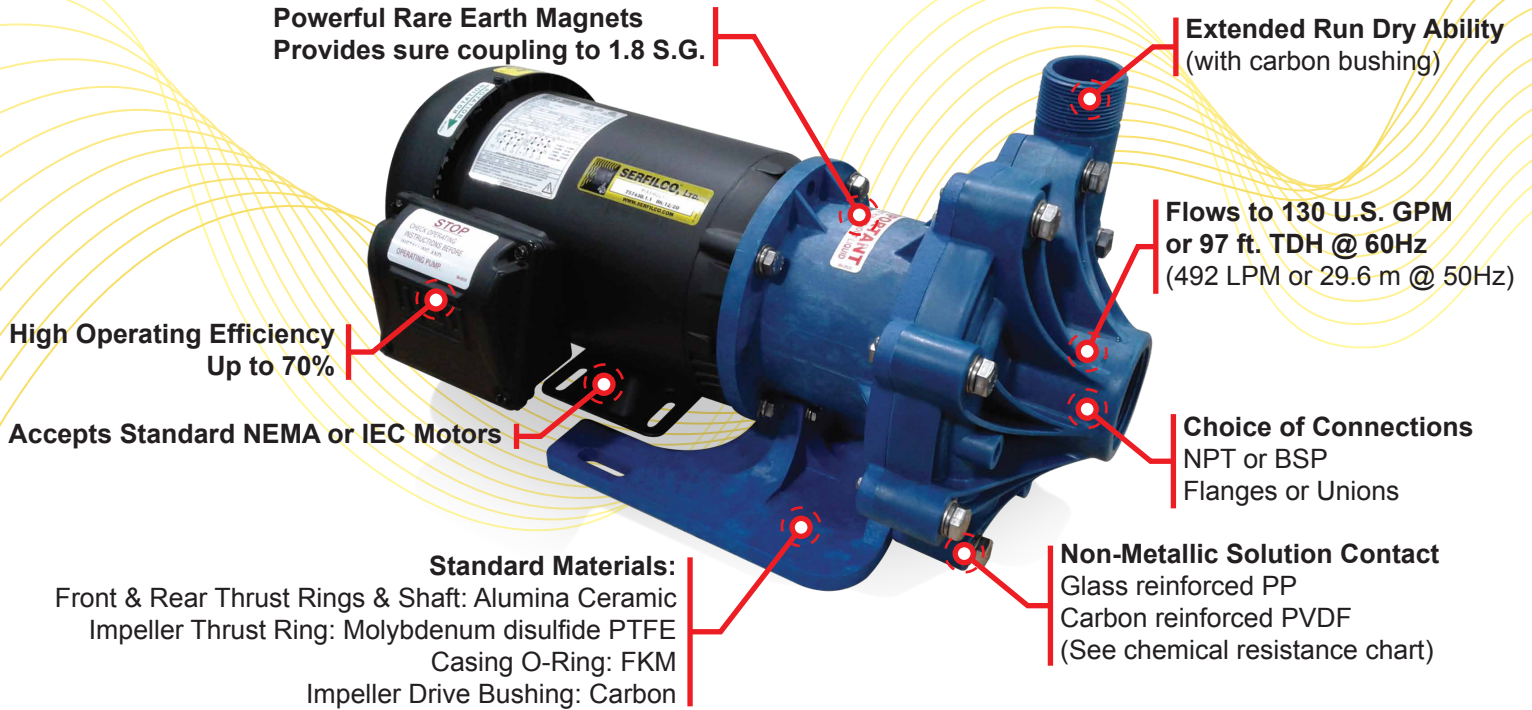


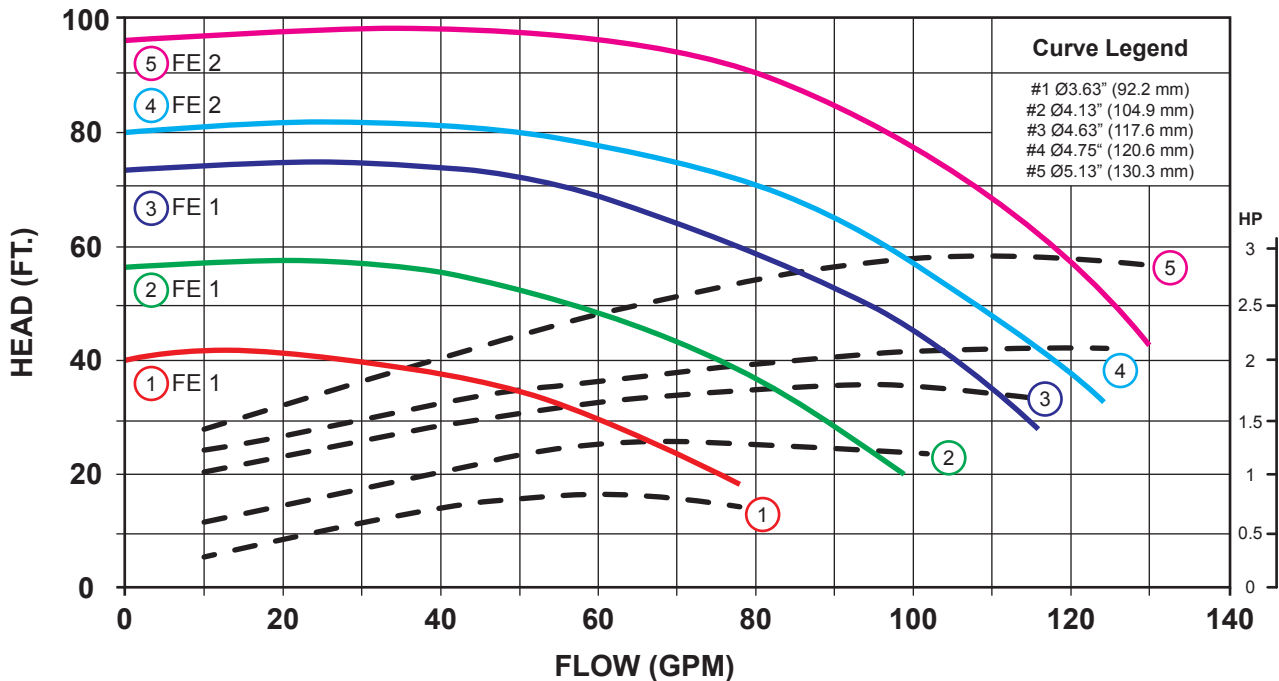


SERIES 'FE' | MAGNETIC COUPLED PUMPS



PERFORMANCE INFORMATION

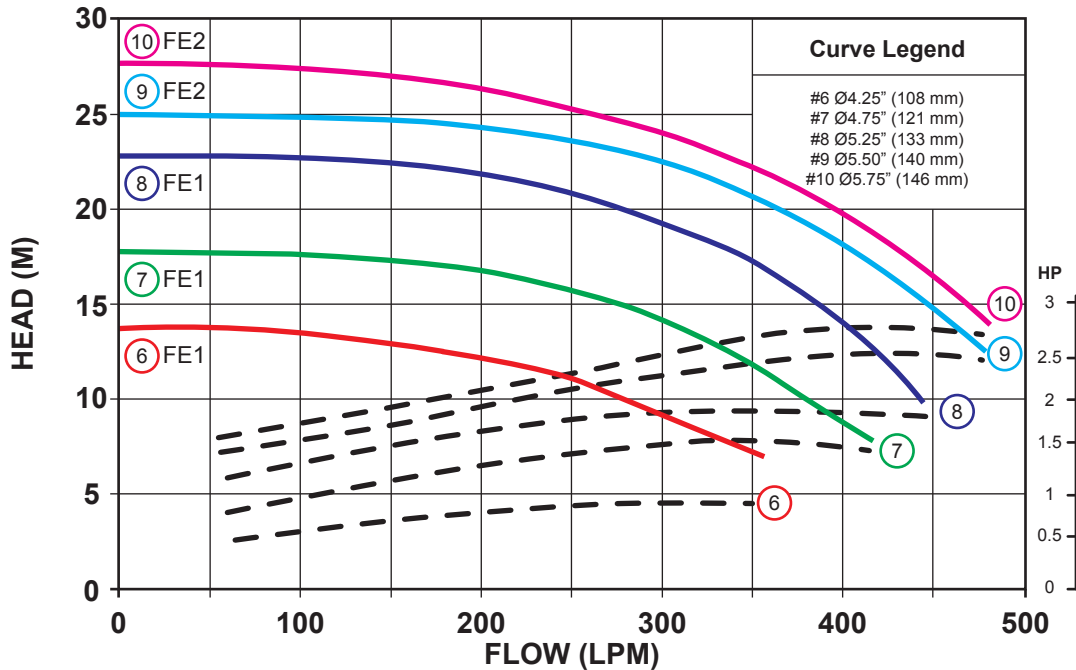
FE1 & FE2 - 3450 RPM @ 60Hz





PERFORMANCE INFORMATION cont.

FE1 & FE2 - 2900 RPM @ 50Hz



STANDARD MODELS

MODEL FE1					
FLOW CURVE	POLYPROPYLENE PUMP		PVDF PUMP		MAX S.G.
	MODEL NUMBER	PRICE CODE	MODEL NUMBER	PRICE CODE	
1	FE1MPVGC 1A-D1.0	P-51-0211-G	FE1MKVGC 1A-D1.0	P-51-0311-G	1.35
2	FE1MPVGC 2A-D1.5	P-51-0221-J	FE1MKVGC 2A-D1.5	P-51-0321-J	1.23
3	FE1MPVGC 3B-D2.0	P-51-0232-K	FE1 MKVGC 3B-D2.0	P-51-0332-K	1.14
MODEL FE2					
4	FE2MPVGC 4C-D3.0	P-51-0443-L	FE2MKVGC 4C-D3.0	P-51-0543-L	1.45
5	FE2MPVGC 5C-D5.0	P-51-0454-P	FE2MKVGC 5C-D5.0	P-51-0554-P	1.75

MODEL KEY

PUMP ¹	
MODEL NUMBER	PRICE CODE
FE1 MPVGC Polypropylene	51-02
FE1 MKVGC PVDF	51-03
FE2 MPVGC Polypropylene	51-04
FE2 MKVGC PVDF	51-05

IMPELLER				
CURRENT	PRICE CODE	FLOW CURVE	ADD TO	
			MODEL	PRICE CODE
60 Hz	FE1	1	1	1
		2	2	2
		3	3	3
	FE2	4	4	4
		5	5	5
50 Hz	FE1	6	6	6
		7	7	7
		8	8	8
	FE2	9	9	9
		10	10	0

¹ For pump only, eliminate motor suffix from Price Code Number



SERIES 'FE' | MAGNETIC COUPLED PUMPS

MODEL KEY cont.

MAGNET SET / FRAME SIZE					MOTOR ²				
CURRENT	HP/KW	MAG SET	FRAME SIZE	ADD TO		1-PHASE		3-PHASE	
				MODEL	PRICE CODE	MODEL	PCN	MODEL	PCN
60 Hz	.75	6 POLE	56C	A	1	-C.75	A	-D.75	E
	1.0	6 POLE	56C	A	1	-C1.0	C	-D1.0	G
	1.5	6 POLE	56C	A	1	-C1.5	D	-D1.5	J
	2.0	6 POLE	143/5 TC	B	2	-	-	-D2.0	K
	3.0	8 POLE	143/5 TC	C	3	-	-	-D3.0	L
	5.0	10 POLE	182/4 TC	D	4	-	-	-D5.0	P

MAGNET SET / FRAME SIZE					MOTOR ²				
CURRENT	HP/KW	MAG SET	FRAME SIZE	ADD TO		1-PHASE		3-PHASE	
				MODEL	PRICE CODE	MODEL	PCN	MODEL	PCN
50 Hz	1.0	6 POLE	56C	A	1	-C1.0-50	Q7	-D1.0-50	V7
	1.5	6 POLE	56C	A	1	-C1.5-50	Q8	-	-
	1.5	6 POLE	143/5 TC	B	2	-	-	-D1.5-50	V8
	2.0	6 POLE	143/5 TC	B	2	-	-	-D2.0-50	V9
	3.0	10 POLE	182/4 TC	D	4	-	-	-D3.0-50	W7
	5.0	10 POLE	182/4 TC	D	4	-	-	-D5.0-50	W8
	1.0/.75	6 POLE	80 FR	E	5	-	-	-DM.75	Y7
	1.5/1.1	6 POLE	80 FR	E	5	-	-	-DM1.1	Y8
	2.0/1.5	6 POLE	90 FR	F	6	-	-	-DM1.5	Y9
	3.0/2.2	8 POLE	90 FR	G	7	-	-	-DM2.2	Z7
	4.0/3.0	10 POLE	100 FR	J	8	-	-	-DM3.2	Z8
	5.5/4.0	10 POLE	112 FR	H	9	-	-	-DM4.2	Z9

² Single Phase Three Phase
115-208-230V/1/60 or 110-220V/1/50 208-230-460V/3/60 or 220-380V/3/50

OPTIONAL EQUIPMENT

DESCRIPTION	ADD OR CHANGE MODEL	ADD TO PCN	DESCRIPTION	ADD OR CHANGE MODEL	ADD TO PCN
O-Ring: (Change 'V' in Model)			Connections:		
EPDM	-L	1	BSP Threads	-B	B
Gylon Gasket	-G	2	Union	-U	U
Simriz	-Z	3	Flange	-F	F
Kalrez	-K	4	Specials:		
Bushing: (Change 'C' in Model)			SiC (bushing, thrust ring, shaft)	-S	S
Teflon	-T	T	Hastelloy® C Shaft	-H	H
Alumina Ceramic	-R	R	Titanium Hardware	-M	M
			Non-Sparking Ring	-N	N
			Explosion Proof Motor (w/ Non-Sparking Ring)	-X-N	-XN
			575V Motor	-575	-575

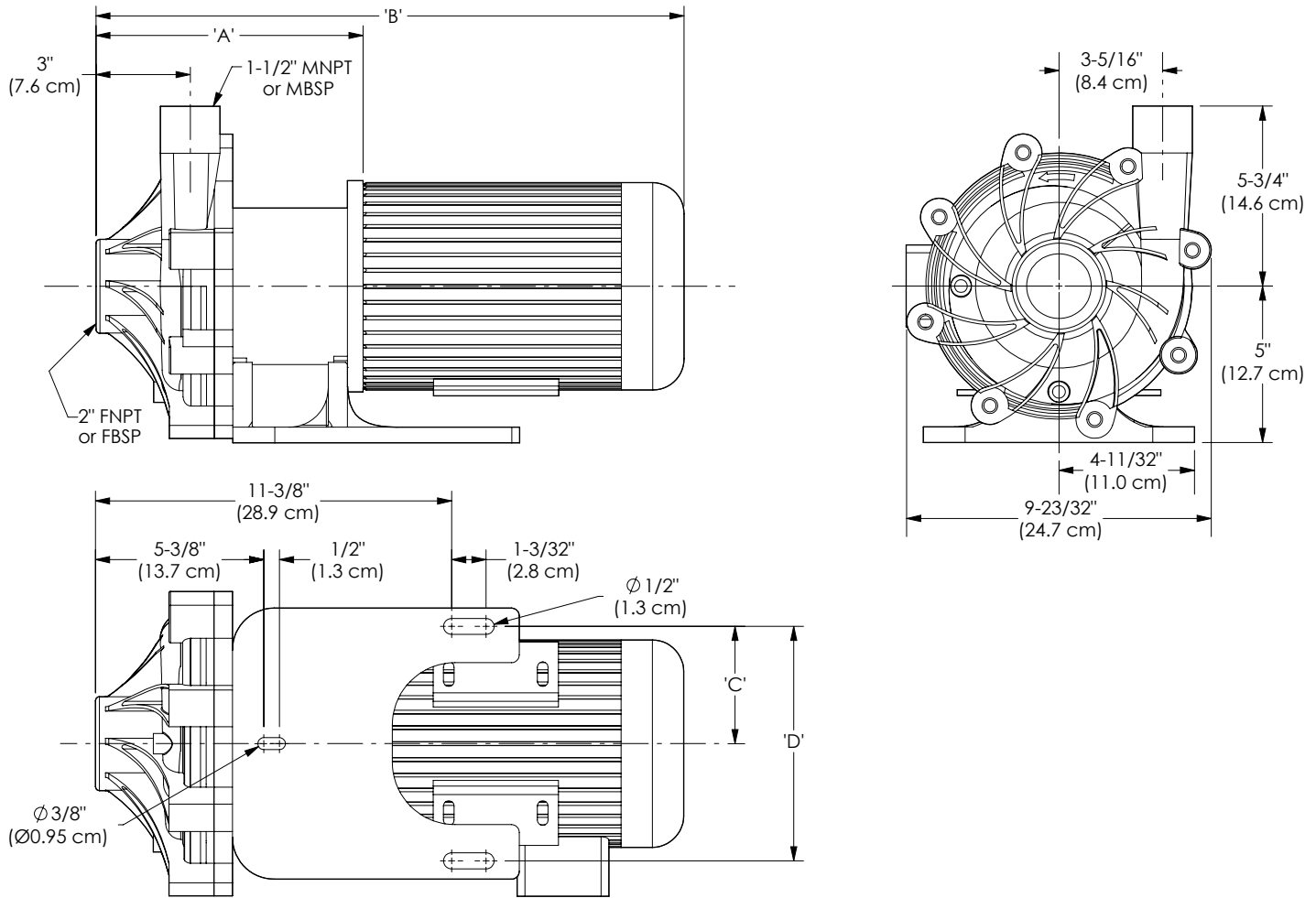
Example Model Number:

PUMP + IMPELLER + MAGNET/FRAME + MOTOR = PRICE CODE NO.
FE1MPVGC + 3 + B + D2.0 = P-51-0232-K



SERIES 'FE' | MAGNETIC COUPLED PUMPS

DIMENSIONAL INFORMATION



DIMENSIONAL INFORMATION cont.

MOTOR FRAME	'A'	'B' [†]	'C'	'D'	WEIGHT - lbs (kg)	
					PP	PVDF
NEMA 56C	8-17/32" (21.7 cm)	20-17/32" (52.1 cm)	3-3/4" (9.5 cm)	7-1/2" (19.1 cm)	21.6 (9.8)	22.8 (10.3)
NEMA 145	8-17/32" (21.7 cm)	18-29/32" (48.0 cm)	3-3/4" (9.5 cm)	7-1/2" (19.1 cm)	21.6 (9.8)	22.8 (10.3)
NEMA 184	9-13/32" (23.9 cm)	22-6/32" (56.4 cm)	3-3/4" (9.5 cm)	7-1/2" (19.1 cm)	25.7 (11.7)	26.9 (12.2)
IEC 80/90 w/B14 or B5*	9-5/32" (23.3 cm)	19-11/16" (50.0 cm)	3-3/4" (9.5 cm)	7-1/2" (19.1 cm)	22.1 (10)	23.3 (10.6)
IEC 80/90 w/B14 ATEX*	9-5/32" (23.3 cm)	19-7/8" (50.5 cm)	3-3/4" (9.5 cm)	7-1/2" (19.1 cm)	N/A	23.5 (10.7)
IEC 100 w/B14 or B5*	9-7/32" (23.4 cm)	21-3/8" (54.3 cm)	3-5/32" (8.0 cm)	6-5/16" (15.2 cm)	25.2 (11.4)	26.4 (12)
IEC 100 w/B14 ATEX*	9-7/32" (23.4 cm)	21-3/8" (54.3 cm)	3-5/32" (8.0 cm)	6-5/16" (15.2 cm)	N/A	26.6 (12.1)
IEC 112 w/B14 or B5*	9-7/32" (23.4 cm)	21-7/8" (55.6 cm)	3-3/4" (9.5 cm)	7-1/2" (19.1 cm)	25.2 (11.4)	26.4 (12)
IEC 112 w/B14 ATEX*	9-7/32" (23.4 cm)	21-7/8" (55.6 cm)	3-3/4" (9.5 cm)	7-1/2" (19.1 cm)	N/A	26.6 (12.1)

NOTE: Consult factory for dimensions on flanged or union models. † Varies with motor manufacturer.

* Does not include motor weight. For B5 Weight, add 3lbs. to 80/90 B14 frame weight and 6lbs. to 100/112 B14 Weight.

F.O.B. Northbrook, Illinois

Specifications Subject to Change Without Notice.



SERFILCO[®]

Chemical resistant pumps & filters engineered for industry

2900 MacArthur Blvd.
Northbrook, IL. 60062-2005 U.S.A (800) 323-5431
E-Mail: sales@serfilco.com (847) 509-2900
Web: www.serfilco.com (847) 559-1141

© 2021 SERFILCO Ltd, All Rights Reserved.

Registered Trademark:

Kalrez® - Dupont Performance Elastomers
Simriz® - Simrit® Division
Hastelloy® C - Haynes International Inc.