

RELIABLE, TROUBLE-FREE PUMPING

SEAL-LESS AND "LEAK-PROOF" FOR TOTAL SOLUTION CONTAINMENT

- Corrosion Resistant:
- Polypropylene – Max 85°C
- PVDF – Max 90°C
- Non-metallic solution contact
- Flow Rates to 800 l/min
- Discharge Heads to 37 m
- EX Stock Availability
- Limited Run-Dry* Capability

SERIES 'ST' Magnetic Coupled Pumps are seal less, providing for low maintenance, trouble-free and "leak-proof" operation.

The impeller magnet assembly floats in the radial magnetic field set up by the motor driven external drive magnet.

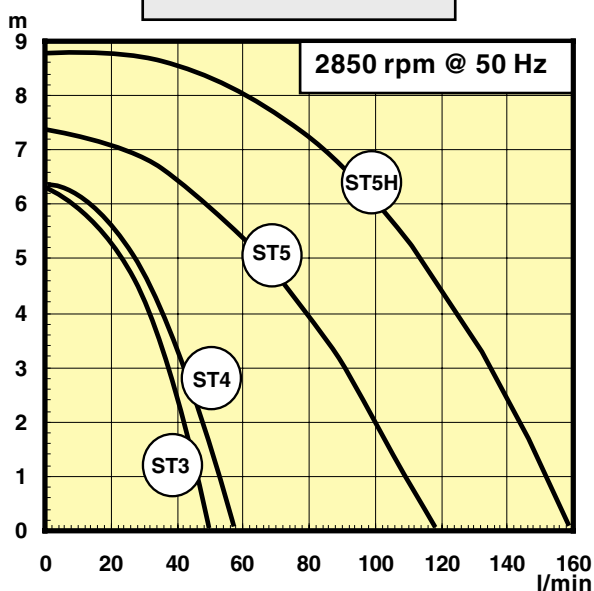
Improved developments in materials technology such as the more thermally stable "PPS" material enable these pumps to be Run-Dry* for limited periods up to 1 hour.

However we still recommend incorporating a Motor Load Monitor for TOTAL Run-Dry Protection (Request Bulletin

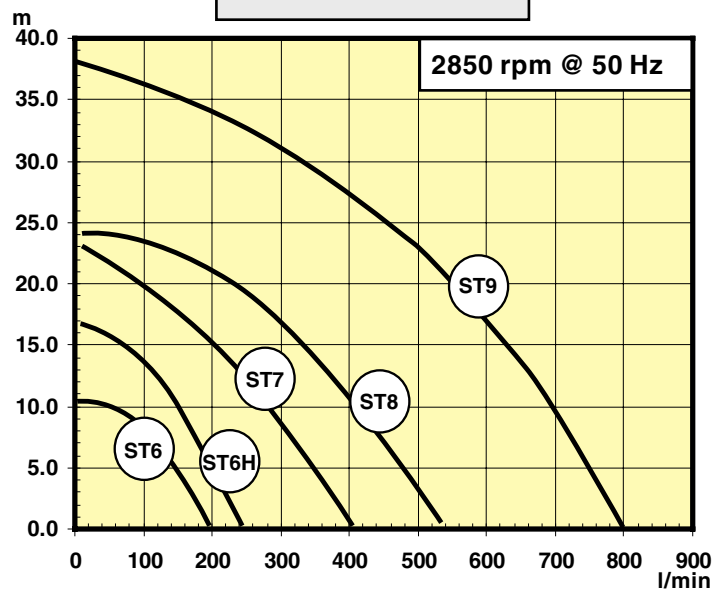
A-313). This also enables detection of conditions such as:- Cavitation, Loss of Prime, Closed Discharge Valve, Blocked Filter Cartridges and Damaged Impeller.

The standard diameter impeller is suitable for water-like liquids to 1.2 SG. Liquids having a higher specific gravity, up to 1.8 can be pumped if : the overall diameter of the impeller is reduced, the outlet flow is restricted , or the restrictions from the filter or other head loss is sufficient to keep the impeller magnet in synchronisation.

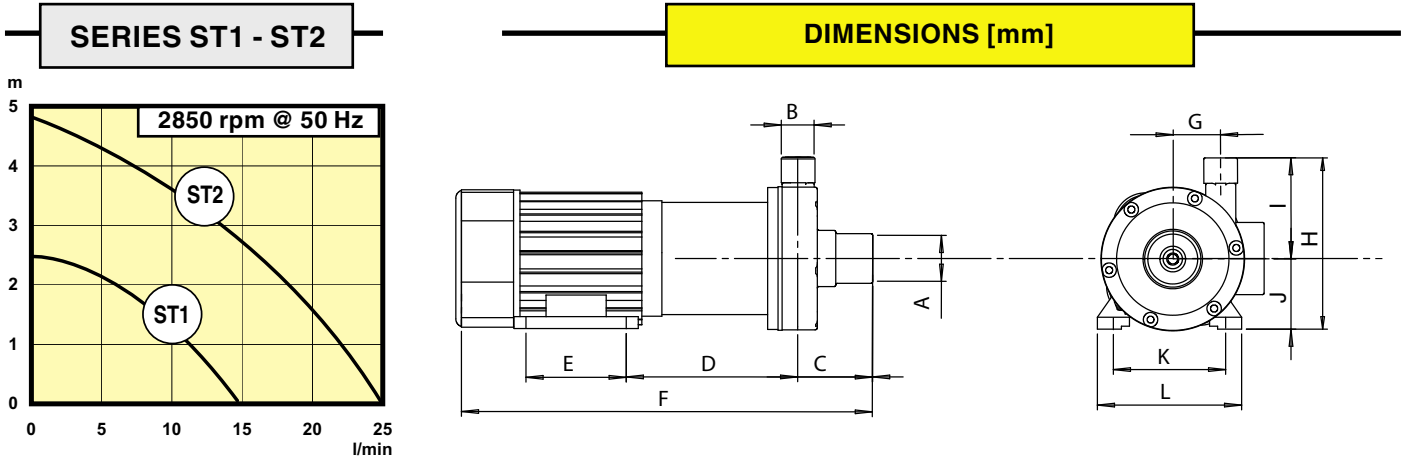
SERIES ST3 - ST5



SERIES ST6 - ST9



SERIES 'ST' PUMP SPECIFICATIONS



	A	B	C	D	E	F	G	H	I	J	K	L
ST1	1/4" BSP	1/4" BSP	54.5	56	49	150	19	100	39	50	104	112
ST2	1/2" BSP	3/8" BSP	51.5	56	49	166	30	100	40	60	104	112
ST3	1/2" BSP	1/2" BSP	43	133	19	220	30	125	60	85	89	102
ST4	1/2" BSP	1/2" BSP	43	93	71	270	30	120	60	60	90	110
ST5	1 1/4" BSP	3/4" BSP	60	134	80	306	40	141	78	63	100	128
ST5H	1 1/4" BSP	3/4" BSP	60	134	80	306	40	141	78	63	100	128
ST6	1 1/2" BSP	1" BSP	66	176	90	410	40	171	100	71	112	136
ST6H	2" BSP	1 1/4" BSP	90	218	100	520	65	240	90	80	125	168
ST7	2" BSP	1 1/4" BSP	90	224	100	520	65	240	150	90	140	174
ST8	2" BSP	1 1/4" BSP	90	216	125	520	59	240	150	90	140	174
ST9	2 1/2" Flange	2" Flange	90	188	140	605	75	276	163.5	112	190	240

SPECIFICATIONS

PP MODELS	
Pump casing and impeller Spindle O-Ring Bearing	PP/PPS Ceramic EPDM Graflon
PVDF MODELS	
Pump casing and impeller Spindle O-Ring Bearing	PVDF/PPS Ceramic Viton Graflon

TO ORDER, use Price Code Number

CODE	POLYPROPYLENE MODEL NUMBER	VOLTAGE	POWER HP(kW)	CODE
ST1	ST1/4X1/4-MPCK-1-CM10	230/1/50	0.0135 (10watts)	01-7201-01
ST2	ST1/2X3/8-MPCK-2-CM18	230/1/50	0.024 (18watts)	01-7202-01
ST3	ST1/2X1/2-MPCK-3-CM60	230/1/50	0.08 (60watts)	01-7203-01
ST4	ST1/2X1/2-MPCK-4-DM90	400/3/50	0.12 (90watts)	01-7204-03
ST5	ST11/4X3/4-MPCK-5-DM.3	400/3/50	0.33 (0.25kW)	01-7205-03
ST5H	ST11/4X3/4-MPCK-5H-DM.3	400/3/50	0.33 (0.25kW)	01-7205-03H
ST6	ST11/2X1-MPCK-6-DM.75	400/3/50	0.75 (0.55kW)	01-7206-03
ST6H	ST2X11/4-MPCK-6H-DM1.5	400/3/50	1.5 (1.1kW)	01-7206-03H
ST7	ST2X11/4-MPCK-7-DM2.0	400/3/50	2.0 (1.5kW)	01-7207-03
ST8	ST2X11/4-MPCK-8-DM3.0	400/3/50	3.0 (2.2kW)	01-7208-03
ST9	ST21/2X2-MPCK-9-DM5.3	400/3/50	5.5 (4.0kW)	01-7209-03

To order pump without motor, DELETE final part of Model No. and last two digits of Code No.
Example: Model ST 11/2 x 1-MPCK-6 Code: 01-7206

NOTE: To specify PVDF Models -
 Change **P** to **K** in Model Number
 e.g. ST1/2 x 1/2 - **MKCK**-3-CM180
 Add **K** to Code Number e.g. 01-7203**K**

SERFILCO EUROPE
 Broadoak Industrial Park
 Ashburton Road West, Trafford Park
 Manchester M17 1RW England
 Phone: 0161-872-1317
 FAX: 0161-873-8027
 E-mail: sales@serfilco-europe.com
 www.serfilco.com