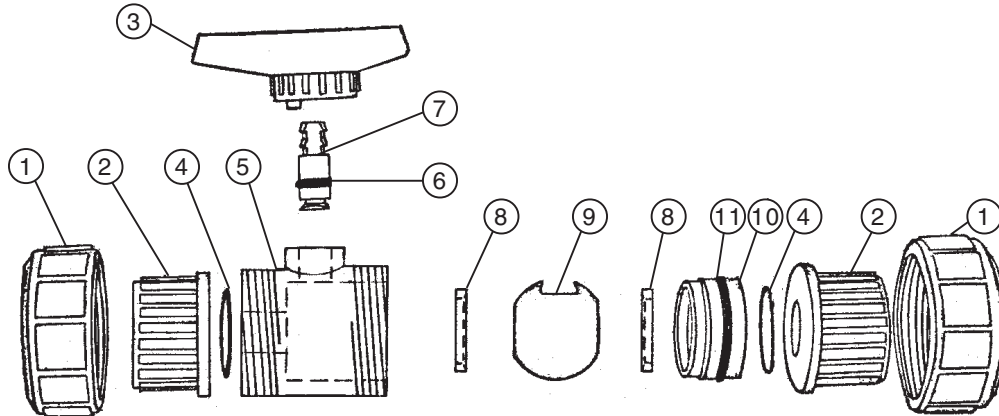




MANUAL BALL VALVES CPVC

Refer to Master Price List F-800.

PIPE SIZE	PART NO. (SOCKET)	PART NO. (THREADED)
1/2"	33-0578	33-0570
3/4"	33-0579	33-0571
1"	33-0580	33-0572
1-1/4"	33-0581	33-0573
1-1/2"	33-0582	33-0574
2"	33-0583	33-0575



ITEM	DESCRIPTION	1/2"	3/4"	1"	1-1/4"	1-1/2"	2"
1	Union nut (2 req'd)	33-1221	33-1233	33-1245	33-1290	33-1302	33-1314
2	End connector socket (2 req'd) threaded (2 req'd)	33-1222	33-1234	33-1246	33-1291	33-1303	33-1315
3*	Handle	33-1224	33-1236	33-1248	33-1293	33-1305	33-1317
4	Face seal "O"-ring (2 req'd)	**	**	**	**	**	**
5	Body	33-1226	33-1238	33-1250	33-1295	33-1307	33-1319
6	Stem "O"-ring	**	**	**	**	**	**
7*	Stem	33-1228	33-1240	33-1252	33-1297	33-1309	33-1321
8	Ball seat - Teflon (2 req'd)	33-1229	33-1241	33-1253	33-1298	33-1310	33-1322
9	Ball	33-1230	33-1242	33-1254	33-1299	33-1311	33-1323
10	Carrier	33-1231	33-1243	33-1255	33-1300	33-1312	33-1324
11	Carrier "O"-ring	**	**	**	**	**	**
12**	"O"-ring kit (composed of Items 4, 6, & 11)	33-1257	33-1258	33-1259	33-1260	33-1260	33-1262

* When handle or stem require replacement, both must be replaced.

** Viton "O"-rings must be bought in a kit, composed of Items 4, 6, & 11.

F.O.B. Northbrook, Illinois

Terms: Net 30 Days

Minimum order \$25.00



SERFILCO[®], LTD.

2900 MacArthur Blvd. 847-509-2900
Northbrook, IL 60062-2005 U.S.A. 800-323-5431
e-mail: sales@serfilco.com FAX: 847-559-1995
www.serfilco.com

WESTERN

13721 Alma Avenue 310-532-0801
Gardena, CA 90249-2513 FAX: 310-532-0866