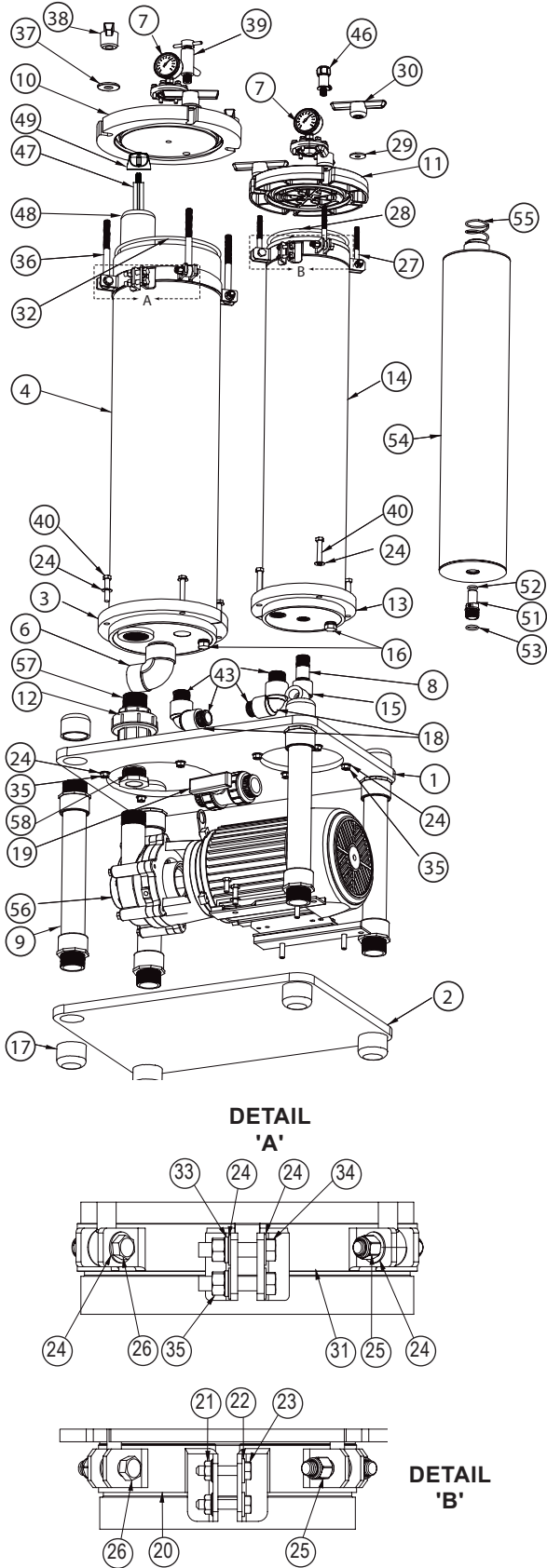




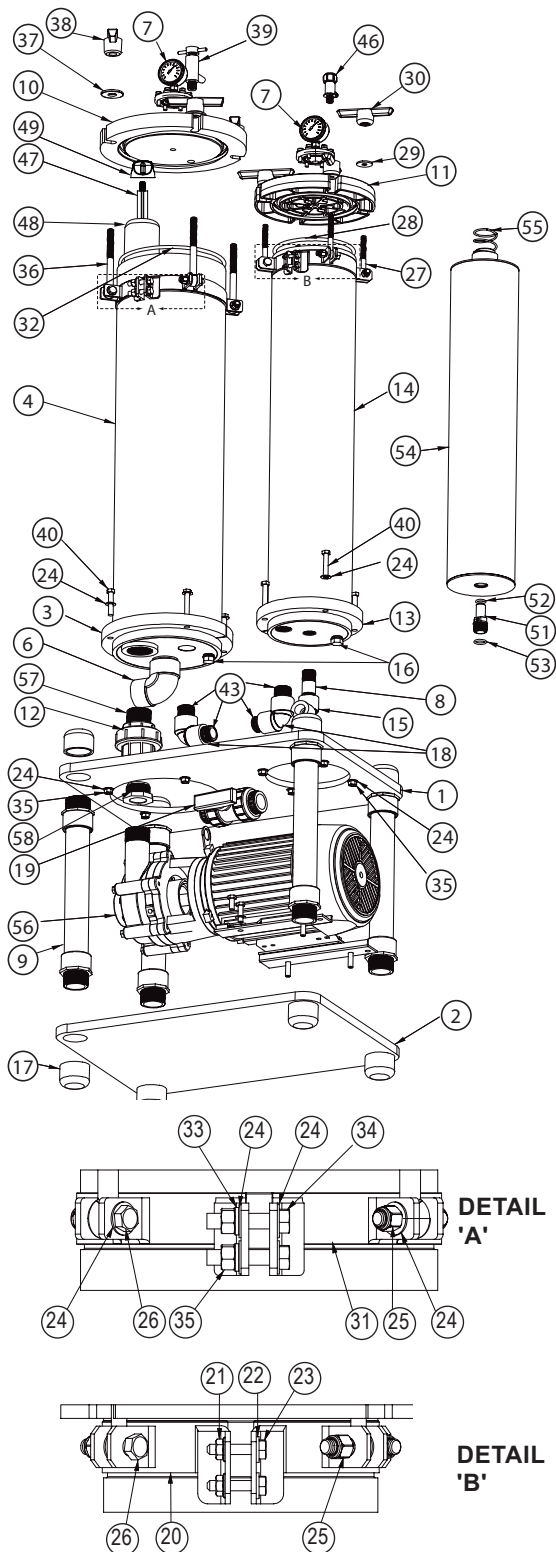
# SPACE-SAVER 'J' FILTRATION SYSTEMS

PARTS LIST  
P-4450 B  
NOVEMBER 2008  
Page 1 of 2

Refer to Bulletin F-215  
Operating and Service Guide O-0884

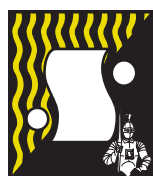


ITEM	DESCRIPTION	QTY.	PART NUMBERS
1	Base, top hooded	- PVC	1 77-1573 1
	w/carbon chamber		1 77-1573
2	Base, bottom hooded	- PVC	1 77-1574
3	Hold down ring PVC	-	1 77-1575
4	Shell/base assembly	- CPVC	1
		CJ6	88-1544
		CJ12	88-1545
		CJ18	88-1546
	CJ24	88-1547	
6	Elbow, 1-1/2"	- CPVC	1 33-0996
7	Gauge guard assembly		2 99-0732
8	Nipple, 3/4" x 3" long	- CPVC	1 33-1007
9	Base leg	- PVC	4 88-3552
10	Cover, 'J' chamber	- CPVC	1 88-3368
11	Cover, 'S' chamber	- CPVC	1 88-0387
12	Union, 1-1/2"	- CPVC	1 33-0297
13	Hold down ring PVC	-	1 77-1576
14	Shell/base assembly	- CPVC	1 88-1549
15	Elbow, 3/4"	- CPVC	1 33-0993
16	1/2" pipe plug	- CPVC	2 33-0866
17	Cap, 1-1/2"	- PVC (Nibco)	8 33-0877 P
18	Elbow, 1"	- CPVC	2 33-0994
19	Ball valve, 1"	- CPVC	1 33-0572
20	Swing bolt bracket	- stainless steel	1 88-0596
21	Whiz lock nut, 1/4"-20	- stainless steel	2 11-0103
22	Flat washer, 1/4"	- stainless steel	2 11-0121
23	Hex head bolt, 1/4"-20 x 1-1/4"	- stainless steel	2 11-0390
24	Flat washer, 3/8"	- stainless steel	36 11-0126
25	Hex nut, nyloc 3/8"-16	- stainless	8 11-0519
26	Hex head bolt, 3/8"-16 x 1-5/8"	- stainless steel	8 11-0444 1
27	Swing bolt, 3/8"-16 x 3-1/2"	- stainless steel	4 11-0497 1
28	"O"-ring	- Viton - EPDM	1 22-0360 22-0365
29	Flat washer, 3/8"	- stainless steel	4 11-0447
30	Tee handle, 3/8"-16	- polypropylene	4 11-0265
31	Eye bolt bracket	- stainless steel	1 77-0793
32	"O"-ring	- Viton - EPDM	1 22-0602 22-0603
33	Lock washer, 3/8"	- stainless steel	2 11-0140
34	Hex head bolt, 3/8"-16 x 1-3/4"	- stainless steel	2 11-0374



ITEM	DESCRIPTION	QTY.	PART NUMBERS
35	Hex nut, 3/8"-16 - stainless steel	14	11-0105
36	Swing bolt, 1/2"-13 x 5-3/4" - stainless steel	4	11-0474 1
37	Flat washer, 1/2" - stainless steel	4	11-0619
38	Tee handle, 1/2"-13 - polypropylene	4	11-0266
39	Vent valve assembly, 3/8" NPT - CPVC	1	33-0051
	Vent valve hose, 1/2" x 5/8" hose	8 <sup>1</sup>	22-0444
	Hose clamp, 5/8" OD hose	1	22-0911
40	Hex head bolt, 3/8"-16 x 2" - stainless steel	8	11-0379
43	Close nipple, 1" - CPVC	4	33-1011
46	Vent valve, 1/4" NPT - polypropylene	1	33-8108 PP
	Vent valve hose, 5/16" ID x 7/16" OD	8 <sup>1</sup>	22-0913
	Hose clamp, 7/16" OD hose	1	22-0912
47 <sup>1</sup>	Threaded cartridge Cross post - CPVC	6	
	CJ6		88-1601
	CJ12		88-1602
	CJ18		88-1603
	CJ24		88-1604
48	Cartridge filter	6	Refer to Bulletin M-109.
49 <sup>1</sup>	Cap - CPVC	6	77-1590
51	Canister guide - CPVC	1	88-1139
52	"O"-ring - Viton	1	22-0568
	- EPDM		22-0569
53	"O"-ring - Viton	1	22-0563
	- EPDM		22-0570
54	(528 P) carbon canister assembly - PVC	1	88-2779
55	Hold down spring - vinyl coated	1	77-0301 1
56	HE Pump	1	Refer to Parts List P-7200
	M mag pump, 1" x 3/4" and 1-1/2"x1"		P-4080
	F mag pump, 1-1/2" x 1-1/4"		P-4025
57	Nipple, 1-1/2" - CPVC	1	
	Close (HE pump)		33-1023
	4-1/2" long (M mag. pump 1" x 3/4")		33-1908
	4-1/4" long (M mag. pump 1-1/2" x 1")		33-1907
	3-1/2" long (F mag. pump 1-1/2" x 1-1/4")		33-1906
58	Reducer bushing, - CPVC	1	
	1-1/2" x 3/4" (M mag. pump)		33-1135
	1-1/2" x 1" (M mag. pump)		33-0181
	1-1/2" x 1-1/4" (F mag. pump)		33-1137
59	Plug, 1" - CPVC (no carbon chamber)	1	33-0212

NOTE: <sup>1</sup> Chambers manufactured before 12/2006 use spring 77-0844 and cross post with groove & ring



**SERFILCO, LTD.**

2900 MacArthur Blvd. 847-509-2900  
 Northbrook, IL 60062-2005 U.S.A. 800-323-5431  
 e-mail: sales@serfilco.com FAX: 847-559-1141  
 www.serfilco.com