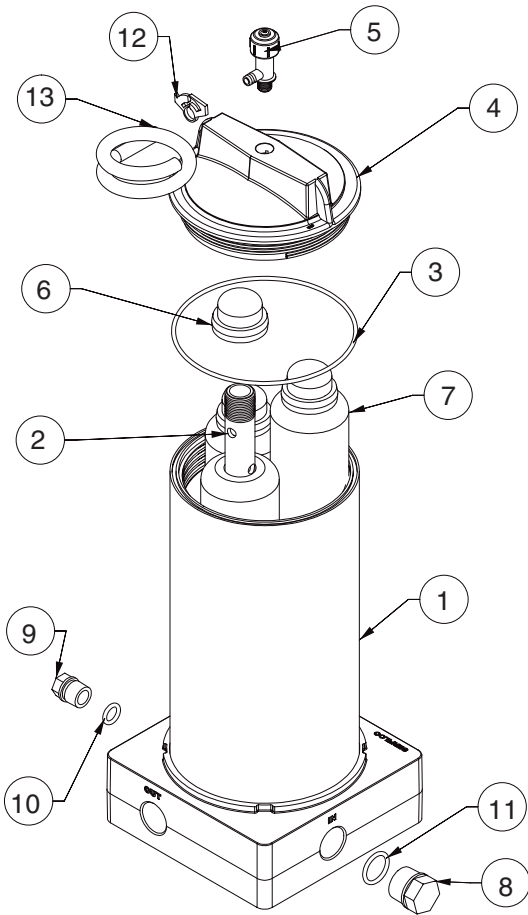




SERIES 'S' SCREW TOP FILTER CHAMBER

Refer to Bulletin C- , Operation
and Service Guide O- and Master
Price List F-800.



ITEM	DESCRIPTION	MODEL	
		CL30(1)P 1 CL60(2)P 1 CL90(3)P 1 CL120(4)P 1	PL30(1)P 1 PL60(2)P 1 PL90(3)P 1 PL120(4)P 1
1	Shell /base assembly - PVC 30 (1) 60 (2) 90 (3) 120 (4)	88-3151 88-3152 88-3153 88-3154	88-3151 88-3152 88-3153 88-3154
2	Guide tube - CPVC 30 (1) 60 (2) 90 (3) 120 (4)		33-0091 33-0091 2 33-0091 2 33-0091 3
3	"O"-ring - EPDM (std) - Viton (opt)	22-0887 22-0887 V	
4	Cover - CPVC	88-3159	
5	Vent valve -polypropylene	33-8108 PP	
6	Assembly, cap & seat 3/4" NPT - CPVC	88-0781 1	
7	Cartridge - filter 30 (1) 60 (2) 90 (3) 120 (4)		10" long cartridge 20" long cartridge 30" long cartridge 40" long cartridge
8	Plug, pipe molded - CPVC	33-0212	
9	Plug, pipe molded - CPVC	33-0866	
10	"O"-ring - EPDM (std) - Viton (opt)	22-0569 22-0568	
11	"O"-ring - EPDM (std) - Viton (opt)	22-0605 22-0604	
12	Hose clamp	22-0912	
13	Vent valve hose	22-0913	



SERFILCO[®], LTD.

2900 MacArthur Blvd. 847-509-2900
Northbrook, IL 60062-2005 U.S.A. 800-323-5431
e-mail: sales@serfilco.com FAX: 847-559-1995
www.serfilco.com

WESTERN

13721 Alma Avenue 310-532-0801
Gardena, CA 90249-2513 FAX: 310-532-0866