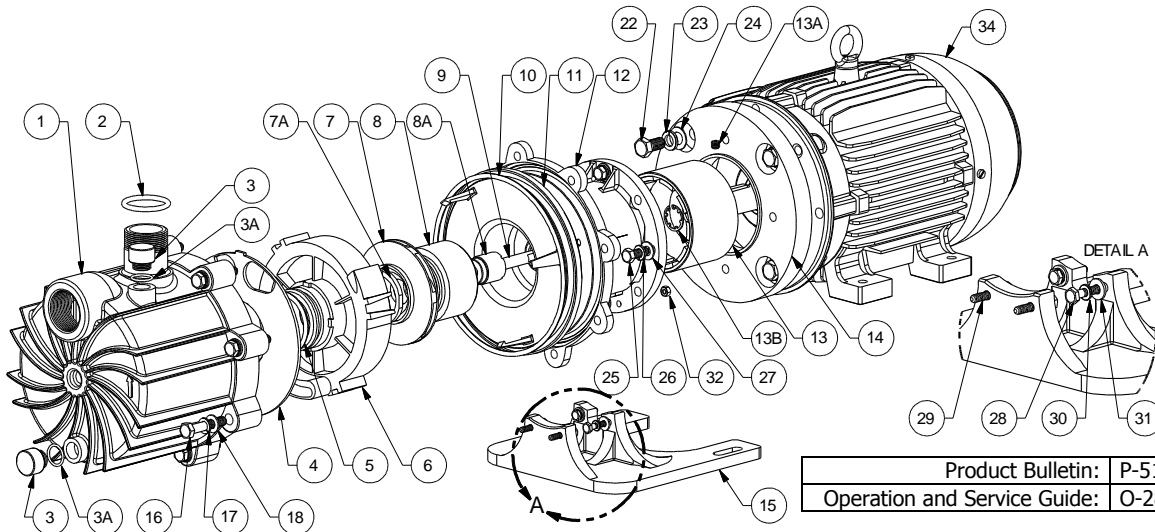


SERFILCO®

Series 'FES' | Magnetic Coupled Pump

2900 MacArthur Blvd. Northbrook, IL. USA 60062 WWW.SERFILCO.COM (800) 323-5431 fax: (847) 559-1995

Parts List
P-4095_A
07/28/11
Page 1 of 2



Product Bulletin:	P-519
Operation and Service Guide:	O-2805

NO.	Description	Material	Type	Qty	FES1 PP	FES1 PVDF	FES2 PP	FES2 PVDF
1	Housing		NPT BSP Flange Union	1	51-1450-PP 51-1450-1PP 51-1450-2PP 51-1450-3PP	51-1450-K 51-1450-1K 51-1450-2K 51-1450-3K	51-1450-PP 51-1450-1PP 51-1450-2PP 51-1450-3PP	51-1450-K 51-1450-1K 51-1450-2K 51-1450-3K
2	Discharge O-ring (BSP Threaded Only)	EPDM FKM		1	51-1409 51-1409-V			
3	Fill/Drain Plug			2	51-1451-PP	51-1451-K	51-1451-PP	51-1451-K
3A	Fill Plug O-Ring	EPDM FKM		2	22-2117 22-2117-V			
4	Separator Plate			1	51-1452-PP	51-1452-K	51-1452-PP	51-1452-K
5	Inner Volute O-Ring	EPDM FKM		1	22-2332 22-2332-V			
6	Inner Volute w/ Al ₂ O ₃ Ring <i>(Curve number is indicated by 7th digit of a part number)</i>		60Hz 60Hz 60Hz 50Hz 50Hz 50Hz	1	51-1453-1PP 51-1453-2PP 51-1453-3PP 51-1453-6PP 51-1453-7PP 51-1453-8PP	51-1453-1K 51-1453-2K 51-1453-3K 51-1453-6K 51-1453-7K 51-1453-8K	51-1455-4PP 51-1455-5PP 51-1455-9PP	51-1455-4K 51-1455-5K 51-1455-9K
	Inner Volute w/ SiC Ring		60Hz 60Hz 60Hz 50Hz 50Hz 50Hz		51-1454-1PP 51-1454-2PP 51-1454-3PP 51-1454-6PP 51-1454-7PP 51-1454-8PP	51-1454-1K 51-1454-2K 51-1454-3K 51-1454-6K 51-1454-7K 51-1454-8K	51-1456-4PP 51-1456-5PP 51-1456-9PP	51-1456-4K 51-1456-5K 51-1456-9K
7A	Thrust Ring Only	PTFE SiC		1	51-1418 51-1418-1			
7	Impeller Assembly w/Thrust Ring <i>(Curve number is indicated by 7th digit of a part number)</i>	PTFE PTFE PTFE PTFE PTFE SiC SiC SiC SiC SiC SiC	60Hz 60Hz 60Hz 50Hz 50Hz 60Hz 60Hz 60Hz 50Hz 50Hz 50Hz	1	51-1410-1PP 51-1410-2PP 51-1410-3PP 51-1411-6PP 51-1411-7PP 51-1411-8PP 51-1412-1PP 51-1412-2PP 51-1412-3PP 51-1413-6PP 51-1413-7PP 51-1413-8PP	51-1410-1K 51-1410-2K 51-1410-3K 51-1411-6K 51-1411-7K 51-1411-8K 51-1412-1K 51-1412-2K 51-1412-3K 51-1413-6K 51-1413-7K 51-1413-8K	51-1414-4APP 51-1414-5PP 51-1415-9PP 51-1416-4APP 51-1416-5PP 51-1417-9PP	51-1414-4AK 51-1414-5K 51-1415-9K 51-1416-4AK 51-1416-5K 51-1417-9K
8	Impeller Drive Assembly w/Bushing	Carbon Carbon Carbon PTFE PTFE PTFE Al ₂ O ₃ Al ₂ O ₃ Al ₂ O ₃ SiC SiC SiC	6-Pole 8-Pole 10-Pole 6-Pole 8-Pole 10-Pole 6-Pole 8-Pole 10-Pole 6-Pole 8-Pole 10-Pole	1	51-1419-PP 51-1419-1PP 51-1419-2PP 51-1420-PP 51-1420-1PP 51-1420-2PP 51-1421-PP 51-1421-1PP 51-1421-2PP 51-1422-PP 51-1422-1PP 51-1422-2PP	51-1419-K 51-1419-1K 51-1419-2K 51-1420-K 51-1420-1K 51-1420-2K 51-1421-K 51-1421-1K 51-1421-2K 51-1422-K 51-1422-1K 51-1422-2K	51-1419-PP 51-1419-1PP 51-1419-2PP 51-1420-PP 51-1420-1PP 51-1420-2PP 51-1421-PP 51-1421-1PP 51-1421-2PP 51-1422-PP 51-1422-1PP 51-1422-2PP	51-1419-K 51-1419-1K 51-1419-2K 51-1420-K 51-1420-1K 51-1420-2K 51-1421-K 51-1421-1K 51-1421-2K 51-1422-K 51-1422-1K 51-1422-2K
8A	Impeller Bushing Only	Carbon PTFE Al ₂ O ₃ SiC		1	51-1102 51-1102-A 51-1102-B 51-1102-C			

NO.	Description	Material Type	Qty	FES1 PP	FES1 PVDF	FES2 PP	FES2 PVDF
9	Impeller Shaft	Al ₂ O ₃ SiC HAST-C	1		51-1425 51-1425-1 51-1425-2		
10	O-ring	EPDM FKM	1		22-2368 22-2368-V		
11	Barrier		1	51-1457-PP	51-1457-K	51-1457-PP	51-1457-K
12	Motor Adapter (add -1 for ATEX, -T for TI Hardware)		1	51-1458	51-1459	51-1458	51-1459
13	Drive Magnet Assembly (includes set screw & snap ring)	56C Fr. 6-Pole 145TC Fr. 6-Pole 145TC Fr. 8-Pole 184TC Fr. 10-Pole	1		51-1430 51-1430-1 51-1431 51-1432		
	(includes snap ring)	80 Fr. 6-Pole 90 Fr. 6-Pole 90 Fr. 8-Pole 100/112 Fr. 10-Pole			51-1430-2 51-1430-3 51-1431-1 51-1432-1		
13A	Set Screws- NEMA Motor Frames Only		1				51-1433
13B	Snap Ring	56C Fr. 145TC Fr. 184TC Fr. 80 Fr. 90 Fr. 100/112 Fr.	1				51-1434 51-1435 51-1436 51-1437 51-1438 51-1436
14	Motor Adapter Flange (PP-blue, PVDF- black)	184TC Fr. 80 Fr. 90 Fr. 100/112 Fr. 80/90 Fr. B5 100/112 Fr. B5	1	51-1439 51-1440 51-1441 51-1442 51-1447 51-1448	51-1439-1 51-1440-1 51-1441-1 51-1442-1 51-1447-1 51-1448-1	51-1439 51-1440 51-1441 51-1442 51-1447 51-1448	51-1439-1 51-1440-1 51-1441-1 51-1442-1 51-1447-1 51-1448-1
	Motor Adapter Flange (ATEX)	80 Fr. B14 90 Fr. B14 100/112 Fr. B14 80/90 Fr. B5 100/112 Fr. B5		n/a n/a n/a n/a n/a	51-1443 51-1444 51-1445 51-1447-1 51-1448-1	n/a n/a n/a n/a n/a	51-1443 51-1444 51-1445 51-1447-1 51-1448-1
15	Foot - PP (PP-blue, PVDF-black)	Standard 100 Fr. 112 Fr.	1	51-1446 51-1446-2 51-1446-4	51-1446-1 51-1446-3 51-1446-5	51-1446 51-1446-2 51-1446-4	51-1446-1 51-1446-3 51-1446-5

Hardware				Stainless Steel (SS)		Titanium (TI)	
16	Bolt, Housing	M10-1.5x55mm	8	11-0907		11-0907-T	
17	Washer Lock, Housing	M10	8	11-0899		11-0899-T	
18	Washer Flat, Housing	7/16"	8	11-0662		11-0662-T	
19	Drive Bolt (IEC motors only)	M6x16 M8x20 M10x30		80 Fr. IEC 90 Fr. IEC 100/112 Fr. IEC	11-0904 11-0905 11-0906	11-0904-T 11-0905-T 11-0906-T	
20	Drive Washer (Lock)	1/4" 5/16" 3/8"		80 Fr. IEC 90 Fr. IEC 100/112 Fr. IEC	11-0322 11-0355 11-0140	11-0322-T 11-0355-T 11-2068	
21	Drive Washer (Flat)	1/2" 7/16" 10mm		80 Fr. IEC 90 Fr. IEC 100/112 Fr. IEC	11-0121 11-0662 11-0903	11-0534 11-0662-T 11-0903-T	
22	Bolt	1/2-13x1 1/4 M6x25 M8x20	4	184TC Fr. 80 Fr. 90 & 100/112 Fr	11-2188 11-0902 11-0905	11-2188-T 11-0902-T 11-0905-T	
23	Washer (Lock)	1/2" 1/4" 5/16"	4	184TC Fr. 80 Fr. 90 & 100/112 Fr	11-0343 11-0322 11-0355	11-2167 11-0322-T 11-0355-T	
24	Washer (Flat)	1/2" 1/4" 5/16"	4	184TC Fr. 80 Fr. 90 & 100/112 Fr	11-0711 11-0121 11-0122	11-2168 11-0534 11-0122-T	
25	Bolts, Motor Adapter	3/8-16 x 1 1/4"	4		11-0372	11-2122	
26	Washer Lock, Motor Adapter	3/8"	4		11-0140	11-2068	
27	Washer Flat, Motor Adapter	3/8"	4		11-0126	11-2067	
28	Bolt, Foot	M6x30mm	4		11-0908	11-0908-T	
29	Bolt, Foot	M6x35mm	4		11-0909	11-0909-T	
30	Washer, Lock	1/4"	4		11-0322	11-0322-T	
31	Washer, Flat	1/4"	4		11-0121	11-0534	
32	Nut, Rear Foot	M6	2		11-0911	11-0911-T	

34 Motor									
FRAME	PHASE	Hz	VOLTAGE	1 HP	1-1/2 HP	2 HP	3 HP	5 HP	
56C	1	60	115/208-230	44-7119	44-7121	-	-	-	
56C	3	60	208-230/460	44-7124	44-7127	-	-	-	
145TC	3	60	208-230/460	-	-	44-7130	44-7133	-	
184TC	3	60	208-230/460	-	-	-	-	44-7362	
56C	1	50	110/220	66-2647-5C	66-2648-5C	-	-	-	
56C	3	50	220/380/440	66-2644-5C	-	-	-	-	
145TC	3	50	220/380/440	-	66-2645-5C	66-1384-5C	-	-	
182/4TC	3	50	220/380/440	-	-	-	44-7380-5	44-7362-5	

FRAME	PHASE	Hz	VOLTAGE	1 HP/75KW	1.5 HP/1.1KW	2 HP/1.5 KW	3 HP/2.2KW	4 HP/3KW	5.5 HP/4KW
80 IEC	3	50	200/400	66-2655	66-2656	-	-	-	-
90 IEC	3	50	200/400	-	-	66-2657	66-2658	-	-
100 IEC	3	50	200/400	-	-	-	-	66-2659	-
112 IEC	3	50	200/400	-	-	-	-	-	66-2660