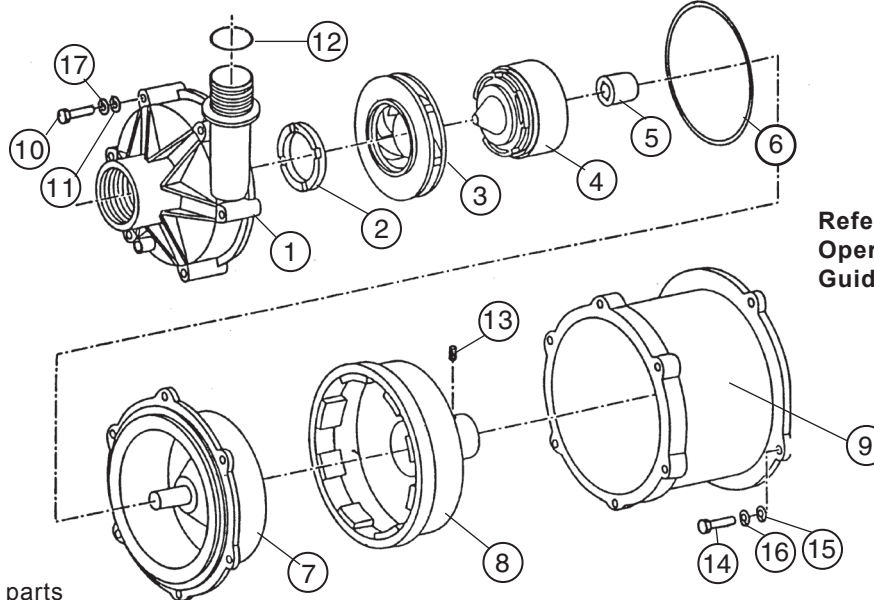




# SERIES 'M' MAGNETIC-COUPLED PUMPS

| MODELS      |              |
|-------------|--------------|
| 1 x ¾ MPVCR | 1½ x 1 MPVCR |
| 1 x ¾ MKVCR | 1½ x 1 MKVCR |



Refer to Bulletin P-509,  
Operation and Service  
Guide O-187.

- <sup>1</sup> Recommended spare parts  
<sup>2</sup> For BSP threads, add **-B** to part number.

| ITEM                           | DESCRIPTION                                   | MODEL               |                 |            |  |
|--------------------------------|---|---------------------|-----------------|------------|--|
|                                |   | 1 x ¾               | 1½ x 1          |            |  |
| 1 <sup>2</sup>                 | Impeller housing w/ thrust ring               | - polypropylene     | 51-4002         | 51-6002    |  |
|                                |   | - PVDF              | 51-5002         | 51-7002    |  |
| 2 <sup>1</sup>                 | Thrust ring - Teflon                          |                     | 51-4004         | 51-6004    |  |
| 3 <sup>1</sup>                 | Impeller head w/thrust ring, 3-3/16" diameter | - polypropylene     | 51-4003 1       | -          |  |
|                                |   | - PVDF              | 51-5003 1       | -          |  |
|                                |   | 3-1/2" diameter     | -               | 51-6003 2  |  |
|                                |   | - polypropylene     | -               | 51-7003 2  |  |
|                                | 3-7/8" diameter                               | - PVDF              | -               | 51-6003 3  |  |
|                                |   | - polypropylene     | -               | 51-7003 3  |  |
| 4 <sup>1</sup>                 | Impeller hub w/carbon bushing                 | Magnetic coupling A | - polypropylene | 51-4014 1  |  |
|                                |   |                     | - PVDF          | 51-5014 1  |  |
|                                |   | Magnetic coupling B | - polypropylene | 51-4014 2  |  |
|                                |   |                     | - PVDF          | 51-5014 2  |  |
|                                |   | Magnetic coupling C | - polypropylene | 51-4014 3  |  |
|                                |   |                     | - PVDF          | 51-5014 3  |  |
|                                | Impeller hub w/Teflon bushing                 | Magnetic coupling A | - polypropylene | 51-4014 1T |  |
|                                |   |                     | - PVDF          | 51-5014 1T |  |
|                                |   | Magnetic coupling B | - polypropylene | 51-4014 2T |  |
|                                |   |                     | - PVDF          | 51-5014 2T |  |
|                                |   | Magnetic coupling C | - polypropylene | 51-4014 3T |  |
|                                |   |                     | - PVDF          | 51-5014 3T |  |
| Impeller hub w/ceramic bushing | Magnetic coupling A                           | - polypropylene     | 51-4014 1C      |            |  |
|                                |   | - PVDF              | 51-5014 1C      |            |  |
|                                | Magnetic coupling B                           | - polypropylene     | 51-4014 2C      |            |  |
|                                |   | - PVDF              | 51-5014 2C      |            |  |
|                                | Magnetic coupling C                           | - polypropylene     | 51-4014 3C      |            |  |
|                                |   | - PVDF              | 51-5014 3C      |            |  |
| 5 <sup>1</sup>                 | Impeller bushing                              | - carbon (standard) | 51-4006         |            |  |
|                                |   | - Teflon            | 51-4006T        |            |  |

| ITEM           | DESCRIPTION   | MODEL               |           |
|----------------|---|---------------------|-----------|
|                |   | 1 x ¾               | 1½ x 1    |
| 6 <sup>1</sup> | Impeller housing "O"-ring - EPDM<br>- Viton   | 22-0362<br>22-0322  |           |
| 7              | Barrier w/spindle & rear thrust washer - polypropylene<br>- PVDF  | 51-4007<br>51-5007  |           |
| 8              | Drive magnet ass'y w/set screws, -56C<br>- 71/B14<br>-80/B14  | Magnetic coupling A | 51-4011 1 |
|                |   | Magnetic coupling B | 51-4011 2 |
|                |   | Magnetic coupling C | 51-4011 3 |
|                |   | Magnetic coupling A | 51-4012 1 |
|                |   | Magnetic coupling B | 51-4012 2 |
|                |   | Magnetic coupling B | 51-4013 2 |
| 9              | Motor adapter - 56C frame<br>- 71/B14 frame<br>- 80/B14 frame   | 51-4008             |           |
|                |   | 51-4009             |           |
|                |   | 51-4010             |           |
| 10             | Phillips pan head screw, ¼"-20 x 2" long, 18-8SS (6 req'd)  | 11-2177             |           |
| 11             | Flatwasher, ¼" 18-8SS (6 req'd)   | 11-0121             |           |
| 12             | "O"-ring - EPDM<br>- Viton  | 22-0570             | 22-0605   |
|                |   | 22-0563             | 22-0604   |
| 13             | Set screw, ¼"-20 x 3/8" long  | 11-2133             |           |
| 14             | Hex head cap screw, 18-8SS, 3/8"-16 x ¾" long (4 req'd) 56C Frame<br>Socket head cap screw, 18-8SS, M6-16 mm, 71 and 80 Frame (4 req'd) | 11-0371             |           |
|                |   | 51-2134             |           |
| 15             | Flatwasher, 18-8SS, 3/8"(4 req'd) 56C Frame<br>Flatwasher, 18-8SS, 1/4 (4 req'd), 71&80 Frame   | 11-0126             |           |
|                |   | 11-0121             |           |
| 16             | Lockwasher, 3/8SS (4 req'd) 56C Frame<br>Lockwasher, 1/4SS(4 req'd) 71&80 Frame   | 11-0140             |           |
|                |   | 11-0322             |           |
| 17             | Lockwasher, 1/4SS (6 req'd)   | 11-0322             |           |
| 18             | Plug, Motor Adapter   | 51-4015             |           |

### MOTOR (NOT SHOWN)

|                                 | 1/2 HP     | 3/4 HP     | 1 HP       | 1-1/2 HP  |
|---------------------------------|------------|------------|------------|-----------|
| <b>MOTOR, 56C</b>               |            |            |            |           |
| TEFC, 208-230V/460V/3/60Hz      | 44-7027    | 44-7029    | 44-7124    | 44-7127   |
| EXP, 208-230V/460V/3/60Hz       | 66-1314    | 66-1350    | 66-1351    | 66-1382   |
| TEFC, 115/208-230V/1/60Hz       | 44-7026    | 44-7028    | 44-7119    | 44-7121   |
| EXP, 115/230V/1/60Hz            | 66-1323    | 66-1282 C  | 66-1349    | 66-1344 B |
| TEFC, 190/380V/3/50Hz           | 66-2594-5F | 66-2643-5C | 66-2644 5C | -         |
| TEFC, 110/220V/1/50Hz           | 66-2649-5C | 66-2646-5C | 66-2647 5C | -         |
| <b>METRIC B3/B14</b>            |            |            |            |           |
| 71 FR, 220-240V/380-415V/3/50Hz | 66-2653    | 66-2654    | -          | -         |
| 80 FR, 220-240V/380-415V/3/50Hz | -          | -          | 66-2655    | -         |



# SERFILCO®

2900 MacArthur Blvd. 847-509-2900  
 Northbrook, IL 60062-2005 U.S.A. 800-323-5431  
 e-mail: sales@serfilco.com FAX: 847-559-1141  
 www.serfilco.com