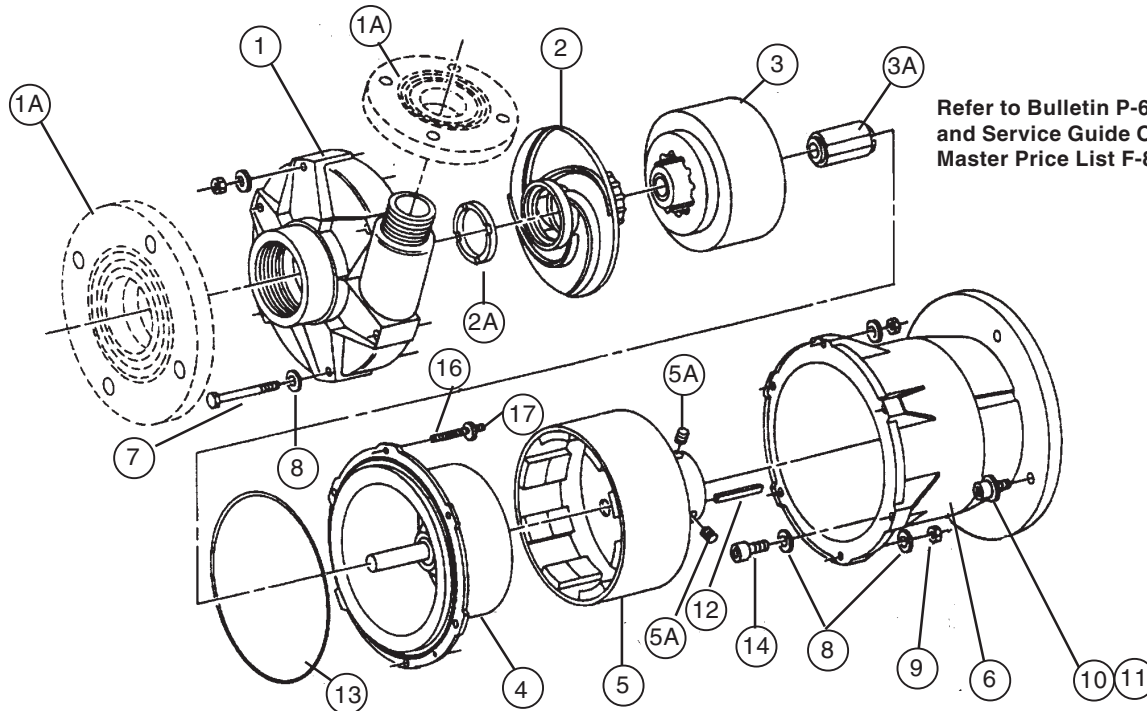




SERIES 'F' MAGNETIC-COUPLED PUMPS

PARTS LIST
P-4075G
MARCH 2002

MATERIAL	MODELS	
Polypropylene	2 x 2 MPGC	3 x 2 MPGC
PVDF	2 x 2 MKGC	3 x 2 MKGC



Refer to Bulletin P-621, Operation and Service Guide O-186 and Master Price List F-800.

ITEM	DESCRIPTION	MODELS	
		MPGC	MKGC
1	Impeller housing assembly (Includes ceramic thrust ring)	51-1300	51-2300
1A	Model 3 x 2 (Includes 3" flange welded on suction and 2" flange welded on discharge, ANSI 150 lb.)	51-1301	51-2301
2 ³	Impeller body ass'y (Includes thrust ring #2A) #9 curve - 6" #8 curve - 5½" #7 curve - 5" #6 curve - 4½"	51-1302 9 51-1302 8 51-1302 7 51-1302 6	51-2302 9 51-2302 8 51-2302 7 51-2302 6
2A ³	Thrust ring (TFE)	51-2117	
3	Impeller drive assembly w/carbon bushing (Item 3A) w/optional TFE drive bushing (Item 3A)	51-1303 C 51-1303	51-2303 C 51-2303
3A ^{1,3}	Drive bushing - carbon (std) - TFE (optional)	51-2116 C 51-2116	
4	Magnetic liner ass'y (Includes ceramic shaft and thrust ring)	51-1304	51-2304
5	Drive magnet assembly U.S. 184T frame (1-1/8" dia. shaft) U.S. 213T frame (1-3/8" dia. shaft) Metric 90 frame (24mm shaft) Metric 100/112 frame (28mm shaft)	51-2118 51-2119 51-2120 90 51-2120	
5A	Set screws, 3/8"-16 x 3/8" long - stainless steel (2 req'd)	11-0725	
6	Motor adapter U.S. 182/4TC U.S. 213TC Metric 100/112 - C3/B14	51-2121 51-2121 1 51-2122	
7	Hex bolts 5/16" x 3¼" long - stainless steel (4 req'd)	51-2123	

ITEM	DESCRIPTION	MODELS	
		MPGC	MKGC
8	Flat washers 5/16" - stn. steel (12 req'd)	11-0122	
9	Hex nuts 5/16" - stn. steel (12 req'd)	11-0104	
10	Hex bolts, ½" x 1" long - stn. stl. (4 req'd) Socket head cap screw, 8mm x 25mm - stn. steel (4 req'd)	11-0350 51-2114	
11	Lock washer ½" - stn. steel (4 req'd)	11-0343	
12	Shaft key 184 frame, ¼" x ¼" x 1½" lg. 213 frame, 5/16" x 5/16" x 1½" lg. 90/100/112 frame 8mm x 8mm x 38mm lg.	51-2124 51-2125 51-2126	
13 ³	Housing 'O'-ring - Viton (std.) - EPDM (opt.)	22-0869V 22-0869	
14	Socket head cap screw 5/16" x 1" long (4 req'd)	51-2130	
15 ²	Wet end assembly (Includes Items # 1, 2, 3 (w/carbon bushing), # 4, 7, 8, 9, 13 (w/Viton 'O'-ring), 16 and 17 2 x 2 w/# 9 impeller 3 x 2 " " 2 x 2 w/#8 impeller 3 x 2 " " 2 x 2 w/#7 impeller 3 x 2 " " 2 x 2 w/#6 impeller 3 x 2 " "	51-1291 C 51-2291 C 51-1391 C 51-2391 C 51-1281 C 51-2281 C 51-1381 C 51-2381 C 51-1271 C 51-2271 C 51-1371 C 51-2371 C 51-1261 C 51-2261 C 51-1361 C 51-2361 C	
16	Housing stud (2 req'd)	51-2132	
17	Housing nut (2 req'd)	51-2133	

¹ Before 6/97 TFE drive bushings were standard.

² For wet end assemblies with TFE drive bushings, remove suffix letter **C** from Part No.

³ Recommended spare parts.

See Page 2 for motors.

MOTORS (NOT SHOWN)

U.S.	3 HP	5 HP	7.5 HP	10 HP
182/4TC 3450 TEFC 208-230/460/3/60	66-2700	44-7362	44-7629	—
215TC 3450 TEFC 208-230/460/3/60	—	—	—	66-2702
182/4TC 3450 TEFC 575/3/60	66-2700 575	44-7362 575	66-2650-7	—
215TC 3450 575/3/60	—	—	—	66-2702 575
182/4TC 3450 EXP 230/460/3/60	66-1290 B	66-1347	—	—
213/5TC 3450 EXP 230/460/3/60	—	—	66-1322 A	66-1316
182/4TC 2850 220/380/440/3/50	44-7380 5	44-7362 5 ¹	—	—

HP/KW METRIC B3/B14	2.0/1.5	3.0/2.2	4.0/3	5.5/4
90 FR 220-240/380-415/3/50	66-2657	66-2658	—	—
100 FR 220-240/380-415/3/50	—	—	66-2659	—
112 FR 380-415/660-720/3/50	—	—	—	66-2660

¹ 1.0 Service Factor

F.O.B. Northbrook, Illinois

Terms: Net 30 Days

Minimum order \$25.00



SERFILCO[®], LTD.

2900 MacArthur Blvd. 847-509-2900
Northbrook, IL 60062-2005 U.S.A. 800-323-5431
e-mail: sales@serfilco.com FAX: 847-559-1995
www.serfilco.com

WESTERN

13721 Alma Avenue 310-532-0801
Gardena, CA 90249-2513 FAX: 310-532-0866