



SERFILCO®

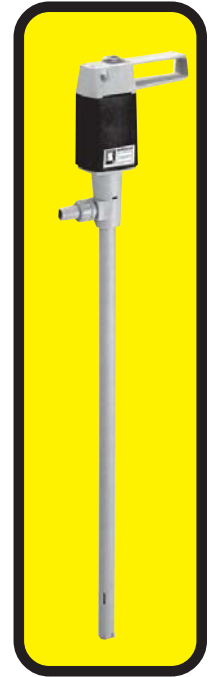
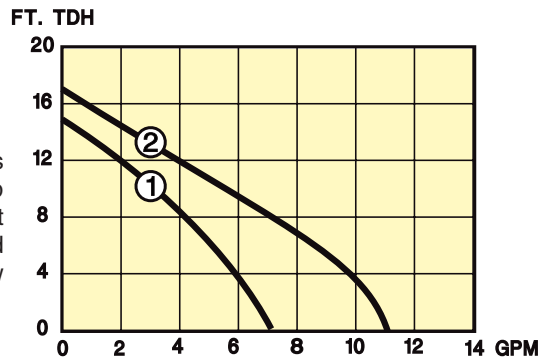
LABORATORY & HIGH VISCOSITY DRUM PUMPS

BULLETIN
P-407E
MARCH 2000

LABORATORY DRUM PUMP

- Ideal for low volume transfer
- Polypropylene
- 27" or 39" length

Versatile, lightweight pump for the transfer of acids or alkalis from glass carboys and similar containers. Pump will handle liquids to 250 cps. Motor is 160 watt with built-in overload and manual reset for safety. Includes 16' cord with molded plug, 10' of 1/2" vinyl hose, polypropylene flow nozzle & wall bracket.



TO ORDER, use Price Code No.

MODEL NO.	PRICE CODE NO.	CURVE	MATERIALS OF CONSTRUCTION	LENGTH	DIA.	HOSE SIZE	MAX. TEMP.	160 WATT MOTOR	WEIGHT
				inches	inches	inches	°F		Lbs.
PP8327-1-115	55-9000	1	Carbon Viton®	27	1	½ - ¾	115	115V/1/60	9.5
PP8327-2-110	55-9001	2			1 ¼			110V/1/50-60	
PP8327-2-220	55-9002	2			1 ¼			220V/1/50-60	
PP8339-1-110	55-9003	1	Ceramic ETFE Hastelloy®C	39	1	½ - ¾	115	110V/1/50-60	10
PP8339-1-220	55-9004	1			1			220V/1/50-60	
PP8339-2-110	55-9005	2			1 ¼			110V/1/50-60	
PP8339-2-220	55-9006	2			1 ¼			220V/1/50-60	

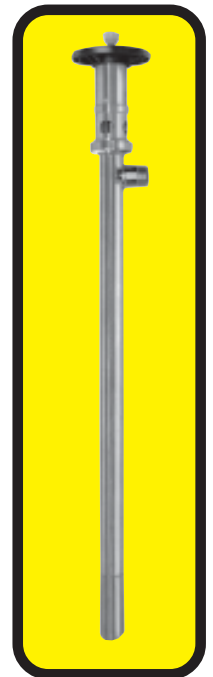
HIGH VISCOSITY DRUM PUMP TUBE

- Progressive cavity design
- Ideal for low volume dispensing of polymers, oils, glues and other high viscosity fluids
- Viscosities up to 100,000 SSU
- 316 stainless steel with Viton, PTFE or Buna-N
- Selection of flow rates and pump lengths
- Easy to dismantle for cleaning and maintenance

TO ORDER, use Price Code No.

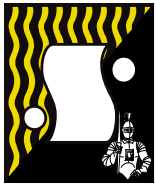
Order ODP, Enc, EXP-UL or Air (F) motor separately.
(See Bulletin P-402 for motor selection)

MODEL NO.	PRICE CODE NO.	FLOW RATE **	LENGTH
PD39040-1-*	52-7101 *	4 GPM (15 l/m)	39" (1000mm)
PD47040-1-*	52-7102 *		47" (1200 mm)
PD39080-1-*	52-7107 *	8 GPM (30 l/m)	39" (1000 mm)
PD47080-1-*	52-7108 *		47" (1200 mm)
PD39130-1-*	52-7113 *	13 GPM (50 l/m)	39" (1000 mm)
PD47130-1-*	52-7114 *		47" (1200 mm)



* Add to Model No. and Price Code No.
B for Buna-N
T for PTFE
V for Viton
 Discharge: 1 ½" (38.1 mm)
 Tube diameter: 2" (54 mm)
 Shipping weight: 20 lbs. (9 kg) for all units

** Based on water



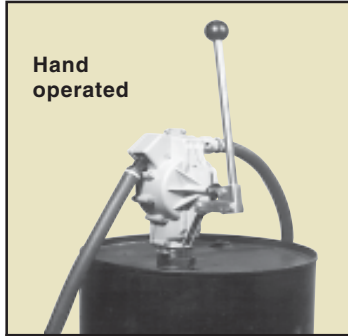
PUMPS by SERFILCO®

MANUFACTURERS of PUMPS & FILTER SYSTEMS for INDUSTRY WORLDWIDE

... for transferring, recirculating, spraying, cleaning or filtering and metering.



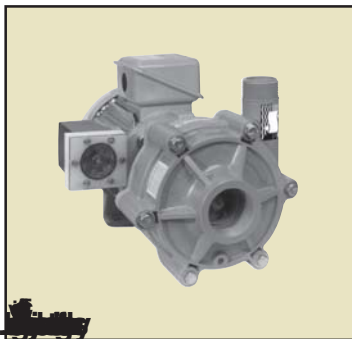
.. or ..



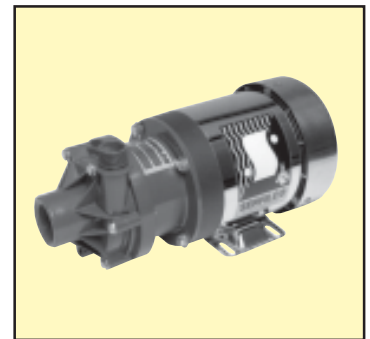
Hand operated



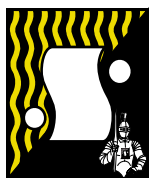
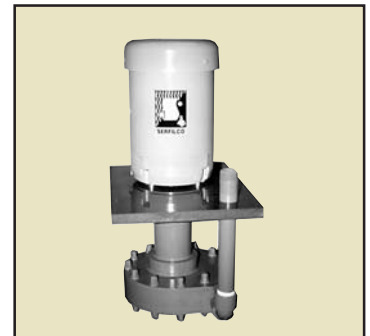
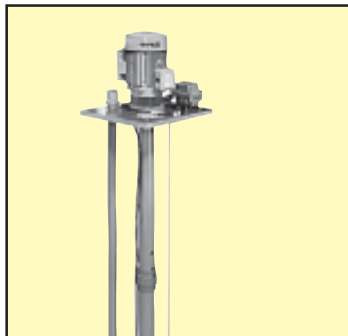
For brightener addition,
pH adjustment or chemical
destruction



with air drive



Will lift to 25 ft.



SERFILCO®, LTD.

2900 MacArthur Blvd. 847-509-2900
Northbrook, IL 60062-2005 U.S.A. 800-323-5431
e-mail: sales@serfilco.com FAX: 847-559-1995
www.serfilco.com