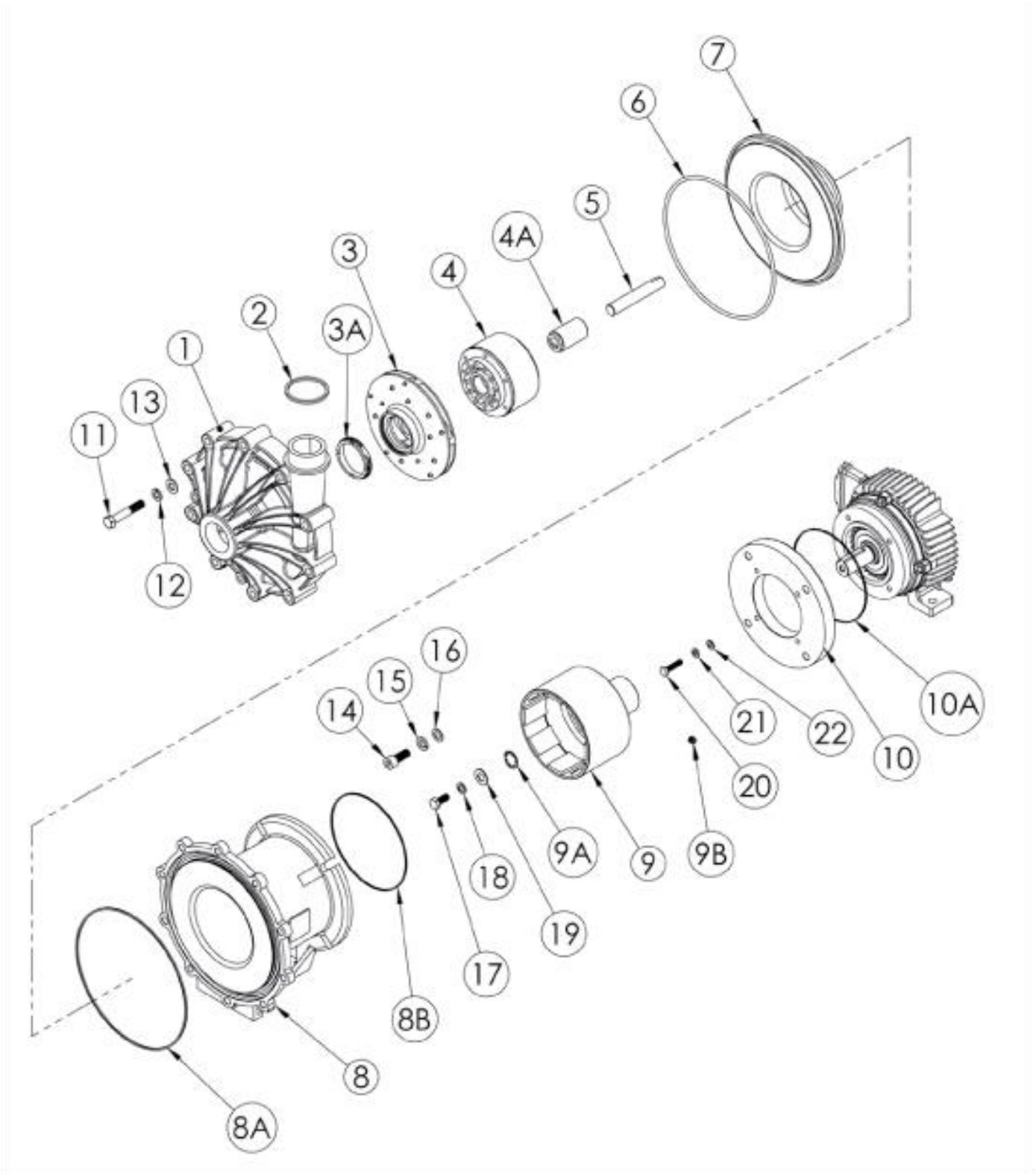




Chemical resistant pumps & filters engineered for industry

SERIES 'FE3' | MAGNETIC COUPLED PUMPS EXPLODED VIEW PARTS LIST





Series 'FE3' | Magnetic Coupled Pumps

No.	Description	Qty.	PP	PVDF	
1	Housing, NPT BSP FRP flanges FRP flanges Steel flanges Unions (opt) NPT (opt) BSP (opt) FRP flanges (opt) FRP flanges (opt) Steel flanges (opt) Unions	1	67-6403 67-6403-2 67-6478 67-7115 67-6478-2 67-6481 67-6471 67-6471-2 67-6748 67-8033 67-6748-2 67-6755	67-6403-1 67-6403-3 67-6478-1 67-7115-1 67-6478-3 67-6481-1 67-6471-1 67-6471-3 67-6748-1 67-8033-1 67-6748-3 67-6755-1	
2	Discharge O-ring (BSP housings only),	1	EPDM FKM Simriz Kalrez	22-2330 22-2330-V 22-2330-1 22-2330-2	
3	Impeller Assy. w/ Thrust Ring	1	See 'FE3' Impeller Assy. Table		
3A	Impeller Thrust Ring Only, (opt)	1	Fluorosint SiC	67-3899-J 67-4170-J	
4	Impeller Drive Assy., (opt) (opt)	1	Carbon bushing PTFE bushing SiC bushing	67-6476 67-6476-2 67-6476-4	67-6476-1 67-6476-3 67-6476-5
4A	Impeller Bushing Only, (opt) (opt)	1	Carbon Filled PTFE SiC	67-3917-1J 67-6757 67-6757-1	
5	Impeller Shaft (opt) (opt)	1	Ceramic SiC Hastelloy C	67-6450 67-6450-1 67-6450-2	
6	Housing O-ring (opt) (opt) (opt)	1	FKM EPDM Simriz Kalrez	22-0861 22-0859 22-0859-1 22-0859-2	
7	Barrier	1	67-6400	67-6400-1	
8	Motor Adapter	1	ATEX	67-6414-1 67-6794 67-6414-2 67-6794-1	
8A	Front Motor Adapter O-Ring	1	Buna EPDM FKM	22-2174-B 22-2174 22-2174-V	
8B	Rear Motor Adapter O-Ring (NEMA motors only)	1	Buna EPDM FKM	22-0781-B 22-0781 22-0782	
9	Outer Drive Magnet Assy. w/ Retaining Ring, 182/184TC frame 143/145TC frame 213/215TC frame 90 frame 100/112 frame 132 frame	1		67-6453 67-6457-3 67-6453-1 67-6457 67-6457-1 67-6457-2	
9A	Retaining Ring Only 182/184TC frame 143/145TC frame 213/215TC frame 90 frame 100/112 frame 132 frame	1		67-5710 67-5709 67-6454 67-5712 67-5710 67-6468	
9B	Set Screws (NEMA motor only)	2		67-1084-J	
10	Motor Adapter Flange 213/215TC frame 90 B14 frame 90 B5 frame 100/112 B14 & 143/145TC frame 100/112 B5 frame 132 B14 frame 132 B5 frame	1		67-6775 67-6781 67-6780 67-6777 67-6776 67-6779 67-6778	67-6775-1 67-6781-1 67-6780-1 67-6777-1 67-6776-1 67-6779-1 67-6778-1
10A	Motor Adapter Flange O-Ring (NEMA 213/215 Frame Motors Only),	1	Buna EPDM FKM	22-2172-B 22-2172 22-2172-V	



Series 'FE3' | Magnetic Coupled Pumps

No.	Description	Qty.	SS	Ti
11	Housing bolt Hex HD M12-1.75x70mm	10	67-6501	67-6502
12	Housing lock washer M12	10	67-6503	67-6504
13	Housing flat washer M12	10	67-6505	67-6506
14	Motor adapter bolt, Soc HD all except 213/215TC 1/2-13x1.25 213/215TC 1/2-13x1.75	4	67-6495 67-6511	67-6498 67-6512
15	Motor adapter lock washer 1/2	4	11-0343	11-2167
16	Motor adapter flat washer 1/2	4	11-3055	11-2168
17	Drive bolt (IEC only), Hex HD 90 frame M8-1.25x20mm 100/112 frame M10-1.5x30mm 132 frame M12-1.75x30mm	1	11-0905 11-0906 67-6507	11-0905-T 11-0906-T 67-6508
18	Drive lock washer (IEC only), 90 frame 5/16 100/112 frame M10 132 frame M12	1	11-0355 11-0899 67-6503	11-0355-T 11-0899-T 67-6504
19	Drive Flat Washer (IEC Only), 90 frame 7/16 100/112 frame 1/2 SAE 132 frame 1/2 wide	1	11-0916 67-1360-J 67-6509	11-0916-T 67-6200 67-6510
20*	Motor Adapter Flange Bolt, Hex HD 90 frame M8-1.25x30mm Soc HD 100/112 frame M8-1.25x35mm Hex HD 132 frame M10-1.5x30mm Soc HD 143/145TC frame 3/8-16x1"	4	67-8029 67-5589 11-0906 67-1000-J	67-6513 67-6514 11-0906-T 67-7740
21*	Motor Adapter Lock Washer (for IEC with B14 flange only), 90 frame 5/16 100/112 frame M10 132 frame M12	4	11-0355 11-0899 67-5757	11-0355-T 11-0899-T 67-5758
22*	Motor Adapter Flat Washer (for IEC with B14 flange only), 90 frame 5/16 SAE 100/112 frame 5/16 SAE 132 frame	4	67-1293-J 67-1293-J N/A	67-3845-J 67-3845-J N/A

* Customer must supply motor adapter flange bolt, lock washer and flat washer for IEC frame pumps with B5 flanges.

'FE3' Impeller Assemblies

SIZE	Thrust ring			
	PTFE		SiC	
	Impeller Material			
	PP	PVDF	PP	PVDF
7.00"	67-6472-2	67-6472-3	67-6473-2	67-6473-3
6.50"	67-6472-4	67-6472-5	67-6473-4	67-6473-5
6.00"	67-6472-6	67-6472-7	67-6473-6	67-6473-7
5.50"	67-6472-8	67-6472-9	67-6473-8	67-6473-9
5.00"	67-6472-10	67-6472-11	67-6473-10	67-6473-11
4.50"	67-6472-12	67-6472-13	67-6473-12	67-6473-13

Motors				
HP	RPM	Frame	Voltage	Part #
3	3450	182TC	208-230/460/3/60	66-2700
5		184TC		44-7362
7.5				44-7629
10		215TC		66-2702
15				66-1354

Product Bulletin:	P-520
Operation and Service Guide:	O-4060