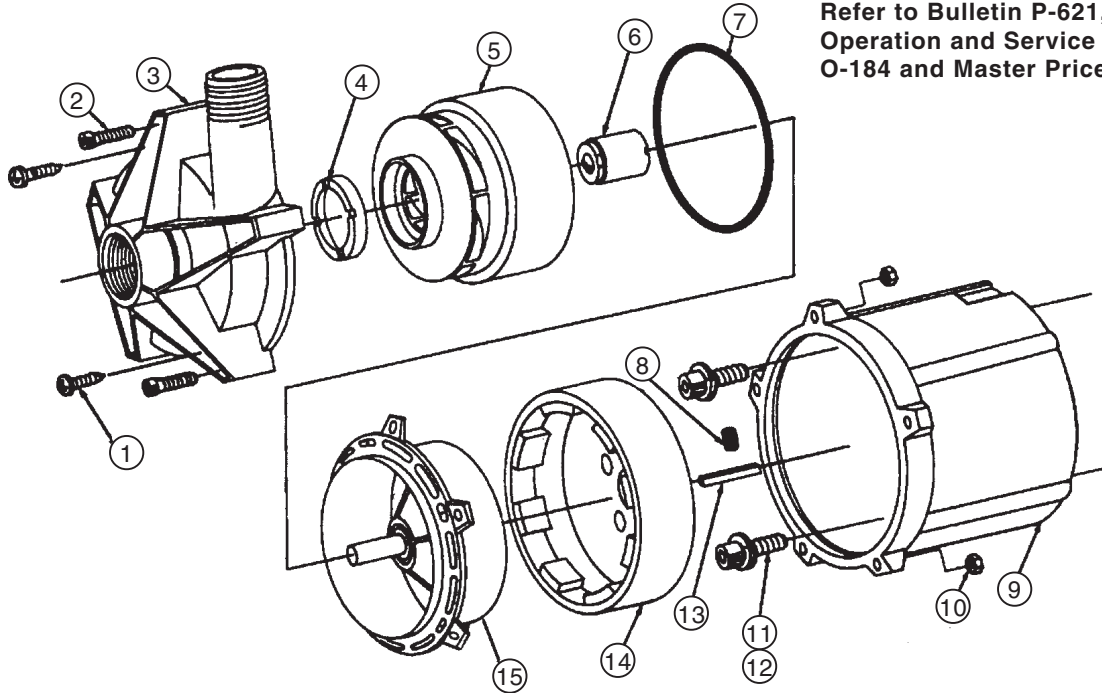




SERIES 'F' MAGNETIC-COUPLED PUMPS

PARTS LIST
P-4025M
NOV. 2002

MATERIAL	MODELS
Polypropylene	1½ x 1¼ MPGC
PVDF	1½ x 1¼ MKGC



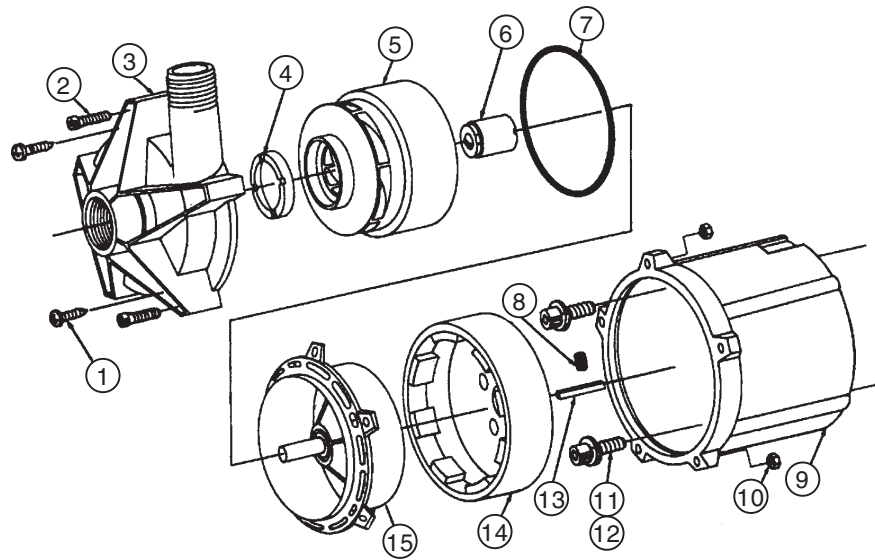
Refer to Bulletin P-621,
Operation and Service Guide
O-184 and Master Price List F-800.

ITEM	DESCRIPTION	MODEL	
		MPGC	MKGC
1	Screw, Phillips pan head (4 required), #8 x 5/8" - stainless steel	51-1112	
2	Screw, pan head, ¼"-20 x 1¼" - stainless steel (5 required)	51-1107	
3	Suction casing assembly - Polypropylene/ceramic (Grey) - PVDF/ceramic (Black)	51-1100	-
4*	Thrust ring - Teflon®	-	51-2100
5	Impeller assembly (Includes carbon bushing & thrust ring) Items 4 & 6 Polypropylene (Grey) #2 - 3" diameter impeller #3 - 3½" diameter impeller #4 - 4" diameter impeller #5 - 4½" diameter impeller PVDF (Black) #2 - 3" diameter impeller #3 - 3½" diameter impeller #4 - 4" diameter impeller #5 - 4½" diameter impeller	51-1101 2 51-1101 3 51-1101 4 51-1101 5	- - - -
6*	Bushing - carbon (standard) - Teflon (optional)	51-1102 51-1102 A	
7*1	O-Ring - Viton® (Standard) - EPDM (Optional)	22-0871 V 22-0871	
8	Set screw, 3/8"-16 x 3/8" long - stainless steel (2 required)	11-0725	
9	NEMA motor adapter (Fits 56C & 145TC frames) Metric motor adapter (Fits 80 frame only), 100 mm BC Metric motor adapter (Fits 90 frame only), 115 mm BC	51-1105 51-2110 51-2111	
10	Hex nut, ¼"-20 - stainless steel (5 req'd)	11-0107	
11	Socket head cap screw - stainless steel (4 required) 3/8"-16 x 1" (NEMA frame motors) 6 mm x 25 mm long (Metric 80 frame motors) 8 mm x 25 mm long (Metric 90 frame motors)	51-1109 51-2112 51-2114	

* Recommended spare parts

¹ Pumps made before 8-1-96 require a gasket,
Viton 51-1114, EPDM 51-1115

® Registered trademarks: Teflon - DuPont
Viton - DuPont Dow Elastomers



ITEM	DESCRIPTION	MODEL	
		MPGC	MKGC
12	Lock washer, stainless steel (4 required) 3/8" size (NEMA frame motors) 6 mm size (Metric 80 frame motors) 8 mm size (Metric 90 frame motors)	11-0140 51-2113 51-2115	
13	Shaft key, 3/16" square x 1" (NEMA frame motors) 6 mm (Metric 80 frame motors) 8 mm (Metric 90 frame motors)	51-1111 51-2109 51-2109 1	
14	Drive magnet assembly Fits 56C frame motors - 5/8" shaft Fits 145TC frame motors - 7/8" shaft Fits metric 80 frame motors - 19 mm shaft Fits metric 90 frame motors - 24 mm shaft	51-1106 51-1106 1 51-2104 51-2105	
15	Magnet liner assembly (Includes shaft and thrust ring) NOTE: assembly changes in operating instructions date coded L92 and after Polypropylene (Grey) PVDF (Black) For earlier models without 5 ears when replacing Item 15 you must also use new Item 2	51-1104 A -	- 51-2102 A

THE FOLLOWING ITEMS ARE NOT SHOWN

16*	Wet end assembly (Includes items #1, 3, 5, 7 & 15) with #2 impeller with #3 impeller with #4 impeller with #5 impeller	51-1113 2 51-1113 3 51-1113 4 51-1113 5	51-2108 2 51-2108 3 51-2108 4 51-2108 5
-----	--	--	--

* Recommended spare parts

DESCRIPTION	PRICE CODE NO.					
	3/4 HP	1 HP	1-1/2 HP	2 HP	3 HP	
MOTORS - SELECT AS NEEDED	56C, 208-230/460/3/60	44-7029	44-7124	44-7127	-	-
	145TC, 208-230/460/3/60 ²	-	-	-	44-7130 A	44-7133 A
	EXP, 56C, 208-230/460/3/60	66-1350	66-1351	-	-	-
	EXP, 143/5TC, 230/460/3/60 ²	-	-	66-1310 D	66-1311 B	66-1352 A
	56C, 115/208-230/1/60	44-7028	44-7119	44-7121	-	-
	EXP, 56C, 115/230/1/60	66-1282 C	66-1349	-	-	-
	56C, 220/380/440/3/50	66-2643 5C	66-2644 5C	-	-	-
	143/5TC, 220/380/440/3/50 ²	-	-	66-2645 6	66-1384 6	-
	56C, 110/220/1/50	66-2646 5C	66-2647 5C	66-2648 5C	66-1519 C	-
	Metric B3/B14 80FR	-	66-2655	66-2656	-	-
TEFC 380-415/3/50 (1P54)	-	-	-	66-2657	-	
Metric B3/B14 90FR	-	-	-	-	-	
TEFC 380-415/3/50 (1P54)	-	-	-	-	-	

Note: All EXP motors are UL rated Class I, Group D

² 143/45 frame motors have machined shafts

F.O.B. Northbrook, Illinois

Terms: Net 30 days

Minimum order: \$25.00

SERFILCO[®], LTD.

2900 MacArthur Blvd. 847-509-2900
Northbrook, IL 60062-2005 U.S.A. 800-323-5431
e-mail: sales@serfilco.com FAX: 847-559-1995
www.serfilco.com

WESTERN
310-532-0801
FAX: 310-532-0866