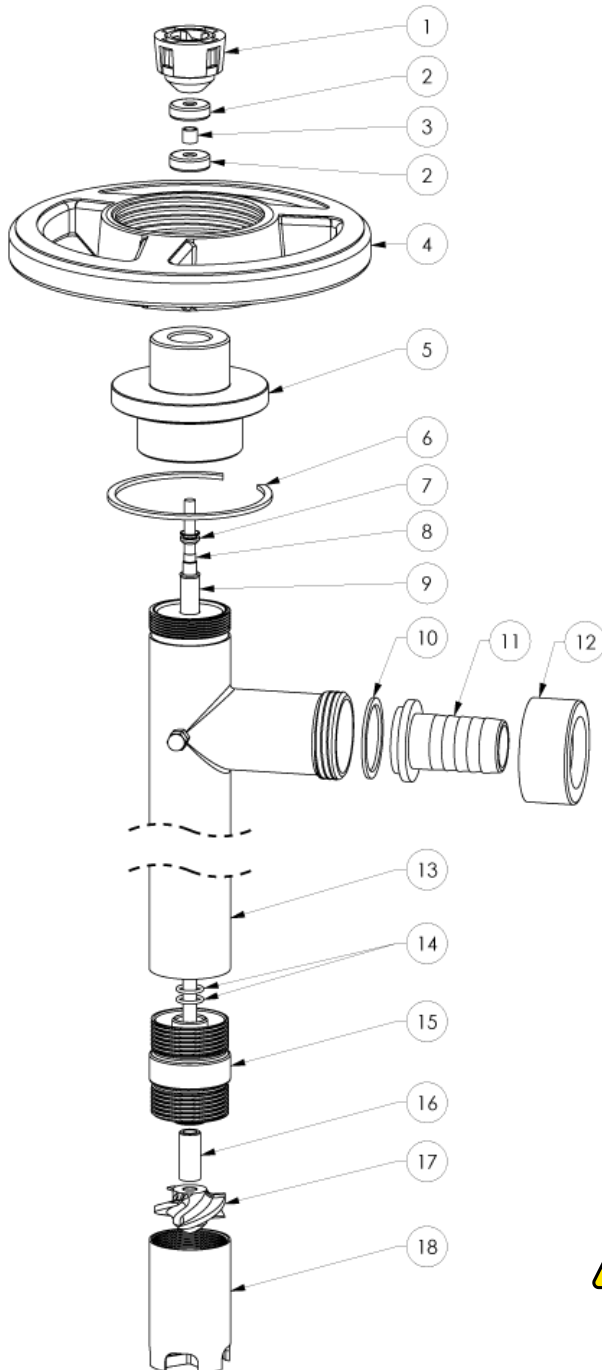


# SERIES 'DP' (SS) | Drum Pumps

SIZE	316SS	
	MODEL	P/N
27"	SSDP27-1	52-2050-27
39"	SSDP39-1	52-2050-39
47"	SSDP47-1	52-2050-47
60"	SSDP60-1	52-2050-60
72"	SSDP72-1	52-2050-72

For High Head pump - add 'H' to model number and P/N



NO.	DESCRIPTION	QTY.	Part No.
1	Pump coupling Nylon	1	52-1004
2	Bearing	2	52-1038-2
3	Bearing spacer SS	1	52-8838-4
4	Hand wheel PP	1	52-1842
5	Connection flange SS	1	52-8602
6	Snap ring ST	1	52-1508
7	V-seal PTFE	1	52-4029
8	Drive shaft 27 SS	1	52-8605
	39		52-8606
	47		52-8607
	60		52-8608
	72		52-8609
9	Guide sleeve 27, 39, 47 PTFE	1	52-7659
	60, 72		52-7660
10	Seal PTFE	1	52-2195
11	Hose barb 3/4 SS	1	52-7657
	1		52-7658
12	Knurled nut SS	1	52-7656
13	Outer/inner tube 27 SS	1	52-7650
	39		52-7651
	47		52-7652
	60		52-7653
	72		52-7654
14	O-ring FKM	2	52-7655
15	Pump housing SS	1	52-8824
16	Bushing Carbon Graphite		52-7606
17	Impeller, high volume PTFE	1	52-7706
	high pressure PTFE		52-2706-HH
18	Pump foot, high volume SS	1	52-8826
	high pressure SS		52-8926

The following items are not shown.

19	Ground wire set: (1)10ft, (2)6ft, (1)1ft lengths.	1	55-0247
20	Repair kit (includes items: 1, 2, 3, 10, 16 & 17)	1	52-7054



**METAL PUMPS MUST BE PROPERLY GROUNDED TO PREVENT POSSIBLE EXPLOSION AND/OR FIRE WHEN PUMPING FLAMMABLES**

Product Bulletin:	P-402
Operation and Service Guide:	O-0176