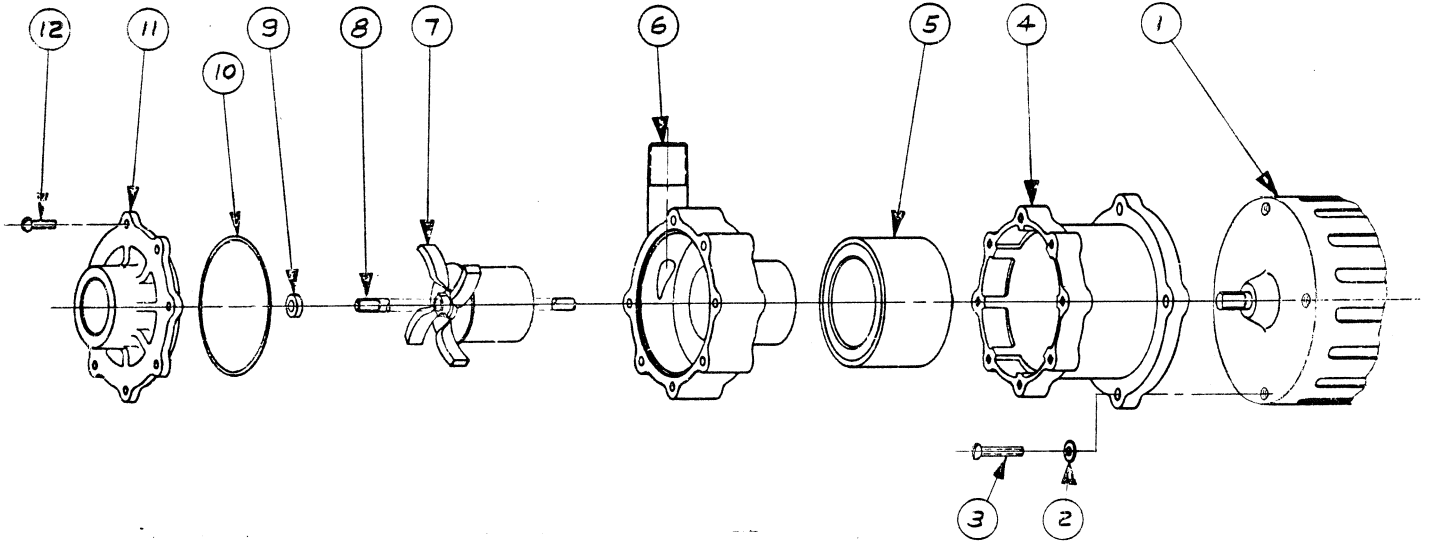


# SERFILCO®

PARTS LIST  
P-4000A  
Feb., 1977

## MAGNETIC COUPLED SEAL-LESS PUMP AND MOTOR UNIT

MODEL - 5MPGR



DESCRIPTION (REFER TO MASTER PRICE LIST F-800)

			<u>PART NO.</u>
1.	MOTOR AND CORD		
	1/4 H.P. TEFC	115/1/60	44-3920
		230/1/50	44-3920B
		230-460/3/50-60	44-3920C
		550/3/50-60	44-3920D
	1/4 H.P. EXP.	115/1/60	44-3930
		230/1/50	44-3930B
		230-460/3/50-60	44-3930C
		550/3/50-60	44-3930D
2.	WASHERS, MOTOR BRACKET (4- req'd)		44-3910
3.	SCREWS, MOTOR BRACKET (4- req'd)		44-3909
4.	MOTOR BRACKET		44-3908
5.	DRIVE MAGNET ASSEMBLY		44-3907
6.	PUMP HOUSING with REAR THRUST WASHER		44-3900
7.	IMPELLER MAGNET ASSEMBLY (RYTON)		44-3906
8.	CERAMIC SPINDLE		44-3904
9.	CERAMIC THRUST WASHER		44-3905
10.	"O" RING (VITON)		44-3902
11.	COVER		44-3901
12.	HOUSING SCREWS (7 req'd)		44-3903
	<u>PUMP COMPLETE WITHOUT MOTOR</u>		44-3915

(Include model number when ordering parts).

F.O.B. Glenview, Illinois

Terms: Net 30 Days

Minimum order — \$25.00

DISTRIBUTED BY



## SERFILCO®, LTD.

1234 Depot St. 312/998-9300  
Glenview, IL 60025 U.S.A. Telex: 253699  
800-323-5431

REQUEST CATALOG  
OR SEE  
**THOMCAT,**  
CEC or CEEBG

(Printed in U.S.A.)