

DRUM PUMP, STAINLESS STEEL

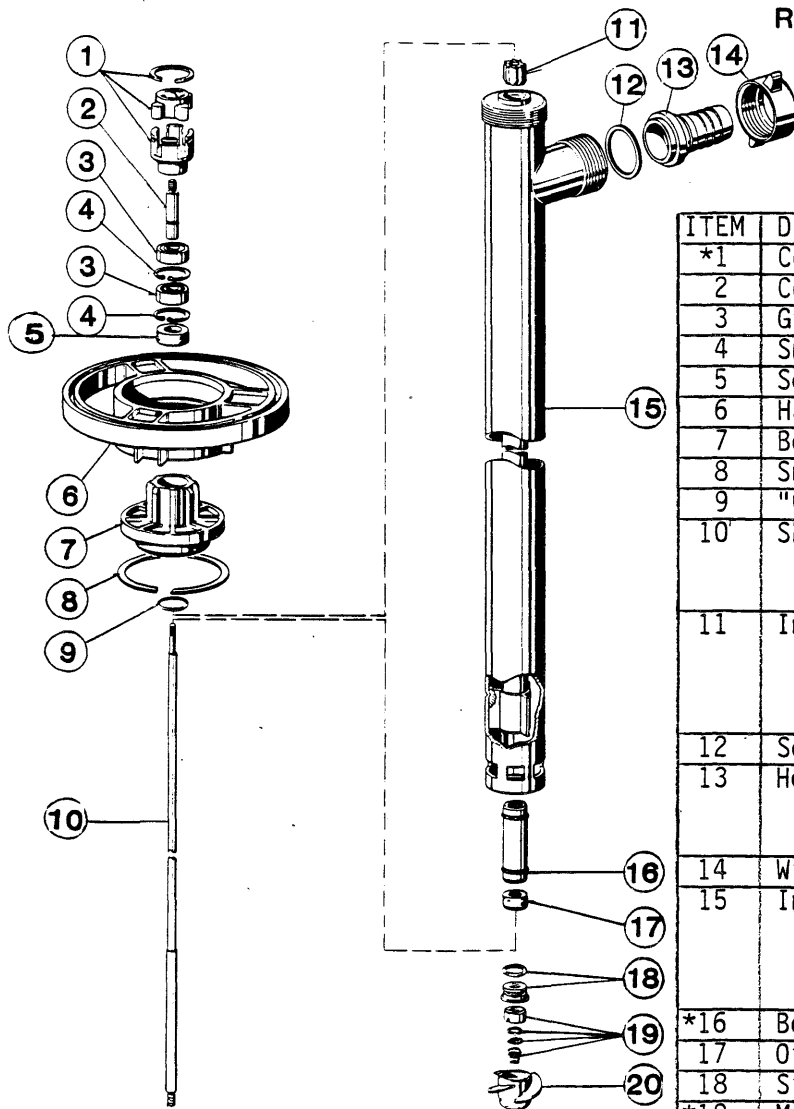
PARTS LIST
P-3800E
OCT. 1985

MECHANICAL SEAL

MODELS: SS8200A PRICE CODE NOS. 55-0253
 SS8200B 55-0254
 SS8200C 55-0255

Refer to Operation & Service Guide O-170

Refer to Master Price List F-800



| ITEM | DESCRIPTION | MODEL | PART NO. |
|------|---|-------------|----------------------------------|
| *1 | Coupling kit | ALL | 55-2035 |
| 2 | Coupling shaft, Stn. Stl. | " | 55-1466 |
| 3 | Grooved ball bearing, (2 req'd) | " | 55-1058 |
| 4 | Snap ring, Stl. (2 req'd) | " | 55-1059 |
| 5 | Seal | " | 55-1071 |
| 6 | Hand wheel, Polypropylene | " | 55-1842 |
| 7 | Bearing housing, Aluminum | " | 55-3800 |
| 8 | Snap ring, Stl. | " | 55-1508 |
| 9 | "O" ring, Viton® | " | 55-3801 |
| 10 | Shaft, Stn. Stl. - 27" | A | 55-3803A |
| | - 34" | B | 55-3803B |
| | - 47" | C | 55-3803C |
| 11 | Intermediate bearing - 27" (4 req'd) - 34" (5 req'd) - 47" (7 req'd) | A B C | 55-1060 55-1060 55-1060 |
| 12 | Seal, Teflon® | ALL | 55-1195 |
| 13 | Hose connector, Stn. Stl. - 1" (Standard) - 1-1/4" | " | 55-1196 55-1197 |
| 14 | Wing nut, Nickel Plated Brass | " | 55-1068 |
| 15 | Inner & outer tube, Stn. Stl. - 27" - 34" - 47" | A B C | 55-3804A 55-3804B 55-3804C |
| *16 | Bearing | ALL | 55-1021 |
| 17 | Oil seal | " | 55-1193 |
| 18 | Stationary seal face | " | 55-2018 |
| *19 | Mechanical seal kit | " | 55-2019 |
| 20 | Rotor, Tefzel® | " | 55-1988 |

* Recommended Spare Parts

F.O.B. Glenview, Illinois Terms: Net 30 Days

Minimum order — \$25.00



SERFILCO, LTD.

1234 Depot Street
Glenview, IL 60025
U.S.A.

312/998-9300
800-323-5431
Telex: 289557 SERFC UR

REQUEST CATALOG
OR SEE
THOMCAT,
CEC or CEEBG

DISTRIBUTED BY

(Printed in U.S.A.)