



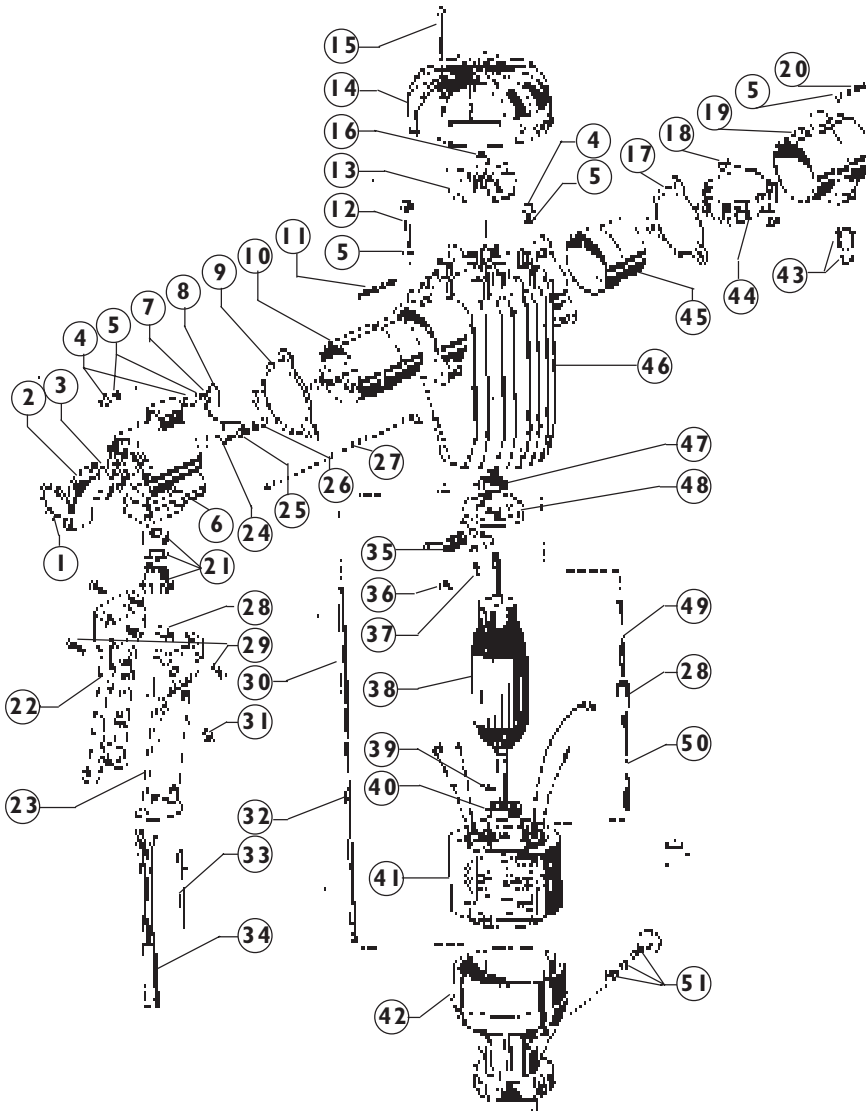
# MOTOR FOR DRUM PUMP

MODEL	PRICE CODE NO
EXP	55-0741

(Manufactured after August, 1987)

Refer to Master Price List F-800.

Refer to Operation & Service Guide O-170



ITEM	DESCRIPTION	PART NO.
1	Clip ring	55-2065
2	On/off knob	55-2377
3	Felt disc	55-2376
4	Nut	55-2057
5	Lockwasher	55-2056
6	Switch housing	55-2375
7	Ground wire	55-2134
8	Clip	55-2023
9	Switch gasket	55-2104
10	Switch	55-2108
11	Threaded rod	55-2041
12	Screw	55-2052
13	Fan	55-2010
14	Fan cover	55-2390
15	Screw	55-2042
16	Clip ring	55-2063
17	Switch gasket	55-2110
18	Screw	55-2090
19	Switch housing	55-2088
20	Triangle screw	55-2053
21	Packing gland screw	55-2016
22	Handle, left side	55-2381
23	Handle, right side	55-2382
24	Clip	55-2105
25	Screw	55-2100
26	Elect. connector	55-2059
27	Ground strap	55-2067
28	Nut	55-2032
29	Screw	55-2383
30	Rod connector	55-2058
31	Hex nut	55-2448
32	Rod connector	55-2392
33	Insulating hose	55-2079
34	Cable	55-2074
35	Carbon brush	55-2128
36	Bridge nut	55-2033
37	Fan key	55-2051
38	Armature	55-2398
39	Pin	55-2066
40	Ball bearing	55-2062
41	Stator	55-2403
42	Lower housing	55-2393
43	Reset knob	55-2087
44	On/off protector switch	55-2092
45	Fuse tube	55-2089
46	Motor housing	55-2391
47	Ball bearing	55-2061
48	Brush holder	55-2191
49	Rod connector	55-2031
50	Rod connector	55-2030
51	Screw assembly	55-2017

Minimum order \$25.00

F.O.B. Northbrook, Illinois

Terms: Net 30 Days



## SERFILCO<sup>®</sup>, LTD.

2900 MacArthur Blvd. 847-509-2900  
 Northbrook, IL 60062-2005 USA 800-323-5431  
 e-mail: Sales@serfilco.com FAX: 847-559-1995  
 www.serfilco.com

WESTERN  
 310-532-0801  
 FAX: 310-532-0866