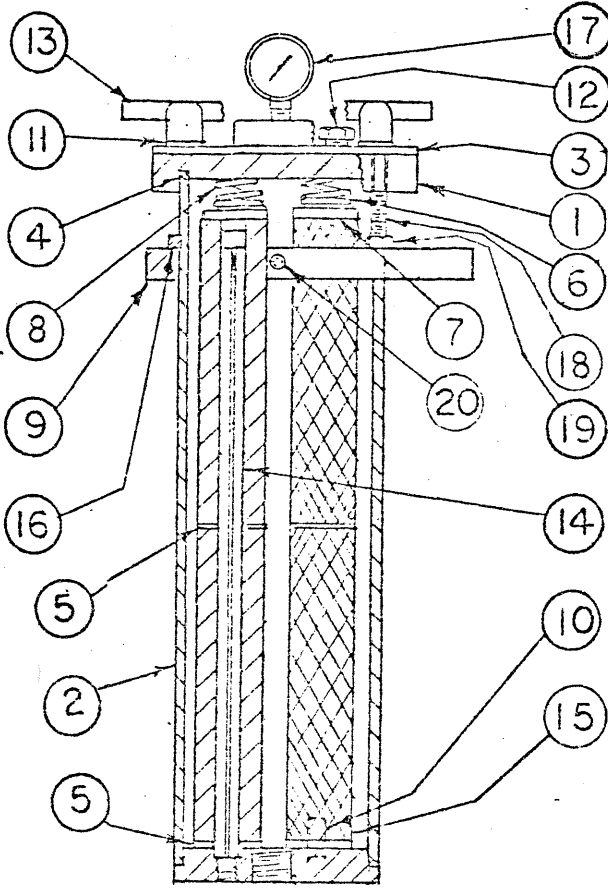


REAR ADMIRAL I FILTRATION CHAMBER

REFER TO MASTER PRICE LIST F-800



ITEM NO.	DESCRIPTION	MODEL	PART NO.
1.	CPVC Cover Assembly	ALL	88-399
2.	CPVC Shell & Base	ECL30(1) ECL60(2) ECL90(3) ECL120(4)	88-551 88-552 88-553 88-554
3.	Cover Plate (Optional)	ALL	88-597
4.	"O" Ring Ethylene Propylene Viton	ALL ALL	22-365 22-360
5.	Spacer Neoprene Ethylene Propylene	ALL ALL	22-202 22-218
6.	Top Seat Plate Assembly Polypropylene Top Plate with Vinyl Coated Spring	ALL	77-701
7.	Polypropylene Top Plate	ALL	77-701A
8.	Vinyl Coated Spring	ALL	77-301
9.	Mounting Plate Assembly	ALL	88-556
10.	CPVC Tube Guide	CL30(1)	88-412
11.	3/8 Size Stainless Steel Plain Washer	ALL	11-123
12.	PVC Vent Screw Stainless Steel Vent Screw	ALL ALL	88-322 11-367
13.	3/8-16 Tee Handle	ALL	11-265
14.	CPVC Cross Post	ECL60(2) ECL90(3) ECL120(4)	88-350 88-351 88-352
15.	Filter Cartridge-See Price Sheet F-300 Sleeve Filter-See Price Sheet T-20		
16.	Retaining Collar	ALL	88-557
17.	Type "G-3" Gauge Guard Assembly Refer to Parts List P-2300	ALL	99-732
18.	Tie Rod 3/8-16x 7" SS (4 req'd)	ALL	11-435
19.	Hex Nut 3/8-16 SS (4 req'd)	ALL	11-105
20.	Socket Set Screw SS 1/4-20x5/16 (2 req'd)	ALL	11-323

MINIMUM ORDER \$15.00

F.O.B. Northbrook, Illinois Terms: 1 - 10, Net 30 Prices contained herein subject to change without notice.

