



SERIES 'TM-V' VERTICAL PUMPS



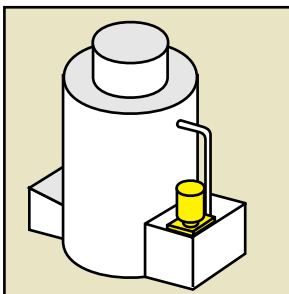
CENTRIFUGAL MAGNETIC DRIVE VERTICAL PUMP FOR:

**PLATING / WET PROCESSING
ACIDS / CAUSTIC SOLUTIONS
CHEMICALS / CLEANERS**
"Ideal for tin chemistries"

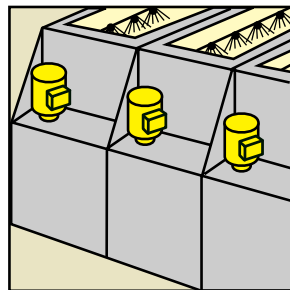
- **Flows to 90 GPM or 64 ft. TDH @ 60 Hz**
(284 LPM or 13m @ 50 Hz)
- **Non-metallic solution contact**
Polypropylene / EPDM or PVDF / Viton®
(See a chemical resistance chart)
- **High torque magnets to 1.5 S.G. with standard coupling and motor**
- **For use with standard NEMA or IEC 'C' face motors**
- **Centrifugal, quiet, vibration-free**
- **In- or out-of-tank installation**
- **Sealed column and pump head — shaft, 'C' face and motor bearing protected from fumes**

The Series 'TM-V' vertical pumps take advantage of a variety of current technologies. Employing strong and compact magnets, with massive internal friction surfaces, the model 'TM-V' pumps provide long term reliability in the most demanding services. Sealed column and pump heads reduce the possibility of air entrapment and minimize corrosion on motor bear-

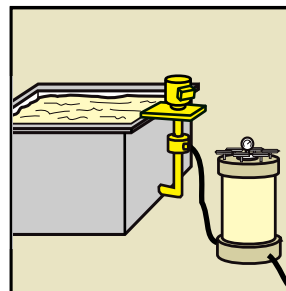
ings and shaft. With no weep hole, the pump can be easily installed in or out of the tank as long as the impeller is submerged. Specially designed heavy walled, voluted casings improve pump strength, chemical resistance, temperature and pressure capabilities, as well as hydraulic efficiency.



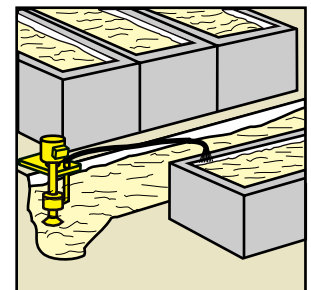
FUME SCRUBBING
PCB WET



PROCESSING
OUT-OF-TANK

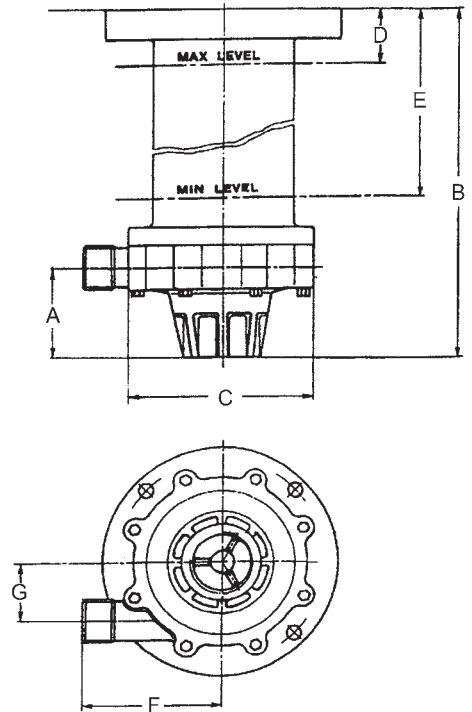
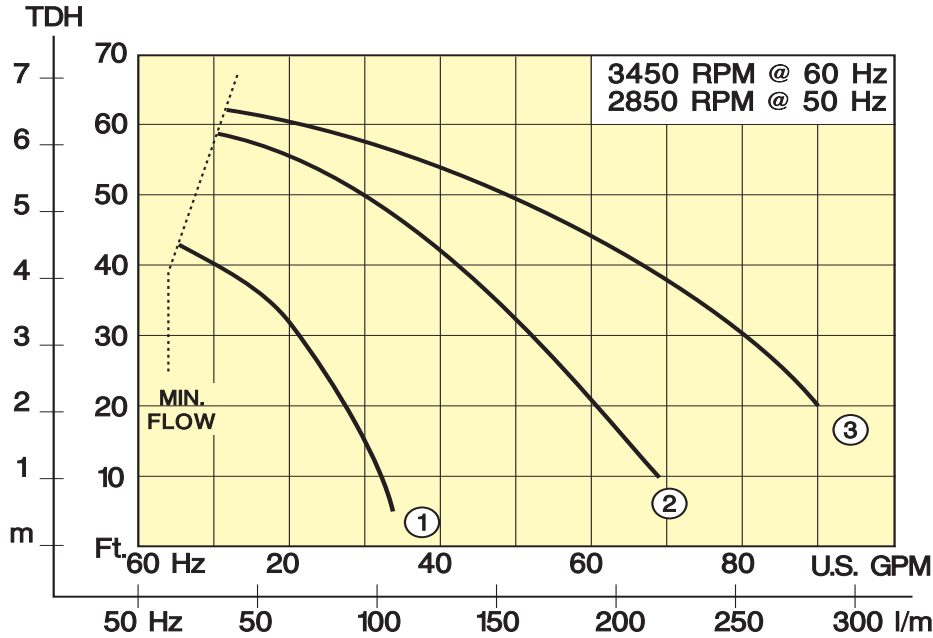


PUMPING and FILTRATION
SUMP DRAINING and



WASTE TREATMENT

SERIES 'TM-V' PUMPS Specifications and ordering information



NOTE: Motor dimensions may vary.

DIMENSIONS Inches								
MODEL	NEMA FRAME	A	B	C	D	E	F	G
TMV6	56C	2.32	11.9	5.625	2.625	7.625	3.58	1.81
TMV10		2.75	12.3	6.125	2.625	6.875	3.94	1.75
TMV15	145TC	3.25	14.125	7.875	3	7	4.875	2.5

Series 'TM-V' Polypropylene / EPDM: Polypropylene column, casing, impeller magnet enclosure, carbon fiber reinforced rear casing. Silica-free ceramic shaft and stationary thrust bushings, carbon filled PTFE rotating sleeve and thrust bushings, EPDM 'O'-ring, titanium casing fasteners. (Max. temp. 150°F, 110 maximum PSI) *To order, use Price Code No. below.*

FLOW CURVE	MAX. FLOW ¹		MAX. TDH ²		MAX. S. G. ³	HP	IMPELLER DIA.	CONNECTIONS SUCT. x DISCH.	MODEL NO.	PRICE CODE NO.	SHIP WT. (lbs.)
	GPM	LPM	ft.	m							
1	34	107	42	8.9	1.5	.75	3.2"	1" FNPT x 3/4" MNPT	TMV6-3.2 D.75	51-0130	38
2	67	211	58	12.3	1.4	1.5	3.85"	1 1/2" FNPT x 1" MNPT	TMV10-3.85 D1.5	51-0131	49
3	90	283	64	13.5	1.4	2.0	3.9"	1 1/2" FNPT x 1 1/4" MNPT	TMV15-3.9 D2.0	51-0132	65

Series 'TM-V' PVDF / Viton: Same construction as polypropylene except PVDF casing, impeller, internal magnet enclosure, rear casing, Viton 'O'-ring, titanium casing fasteners.. (Max. temperature 150°F, 110 maximum PSI) *To order PVDF / Viton pump, add -K to Model No. and Price Code No. above.*

TO ORDER —

EPDM, add **-L** to Model No. and Price Code No.
 Viton, add **-V** to Model No. and Price Code No.
 Motors are TEFC, 230 - 460V / 3 / 60 Hz.
 To order 115 - 230V / 1 / 60 Hz, change **D** to **C** in Model No. add **-1** to Model No.

Consult sales department for 50 Hz motors.

¹ GPM @ 60 Hz, LPM @ 50 Hz

² ft. TDH @ 60Hz, m TDH @ 50 Hz

³ Motors are non-overloading at stated specific gravity.



SERFILCO

2900 MacArthur Blvd. 847-509-2900
 Northbrook, IL 60062-2005 U.S.A. 800-323-5431
 e-mail: sales@serfilco.com FAX: 847-559-1995
 www.serfilco.com