



SERIES 'O' MOLDED VERTICAL PUMPS

RUNS DRY — EFFICIENT AND DEPENDABLE PERFORMANCE FOR:

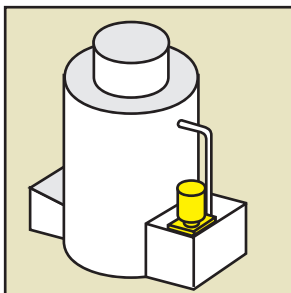


**ACIDS / CAUSTICS / CLEANERS
CHEMICALS / PCB / PLATING
WATER / WASTE WATER**

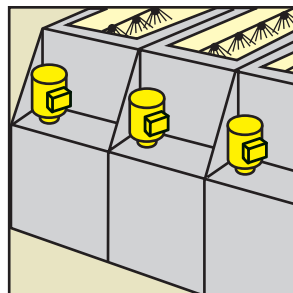
- Flows to 80 U.S. GPM or 68 ft. TDH @ 60 Hz (252 LPM or 14.4m @ 50 Hz)
- Non-metallic solution contact
 - CPVC
 - Polypropylene
 - PVDF
- EPDM or Viton® elastomers
(See Chemical Resistance Chart)
- Runs dry — seal-less, no bearings, bushings, spindles or liners to replace
- Centrifugal — quiet, vibration-free
In-tank or out-of-tank
- Injection molded construction
- Shaft vapor seal protects motor bearings and atmosphere
- Standard 56C motors used on models OL75, OL100, OL125
- Will replace similar OEM pumps

The **Series 'O' Vertical Pump** features a cantilevered sleeved stainless steel shaft which eliminates bearings and seals, resulting in a pump that can run dry without damage. A vapor seal between the rotating shaft and the support column protects the motor. The compound impeller prevents liquid from rising in the column, even at maximum TDH, while the semi-enclosed bottom impeller provides efficient flow performance at low horsepower.

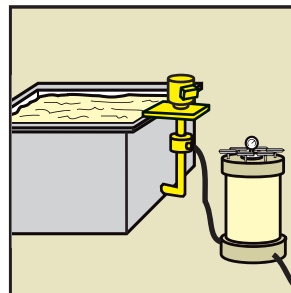
Standard models are injection molded of polypropylene, CPVC or PVDF. All models include mounting plate, vapor seal, Viton suction "O"-ring, stainless steel shaft and fasteners. Available as Pump End Only, or with 3450 RPM 56C TEFC motor. The OL75, OL100 and OL125 pump end only models include shaft and fasteners for standard 56C motors.



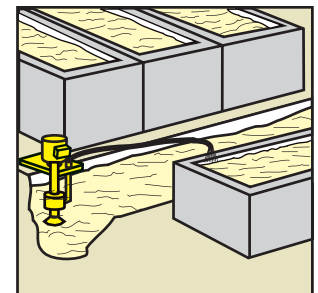
FUME SCRUBBING



PCB WET PROCESSING

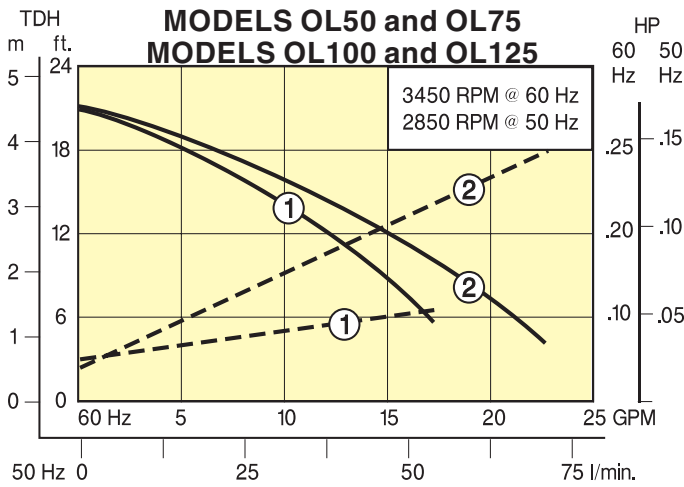


OUT-OF-TANK PUMPING
& FILTRATION



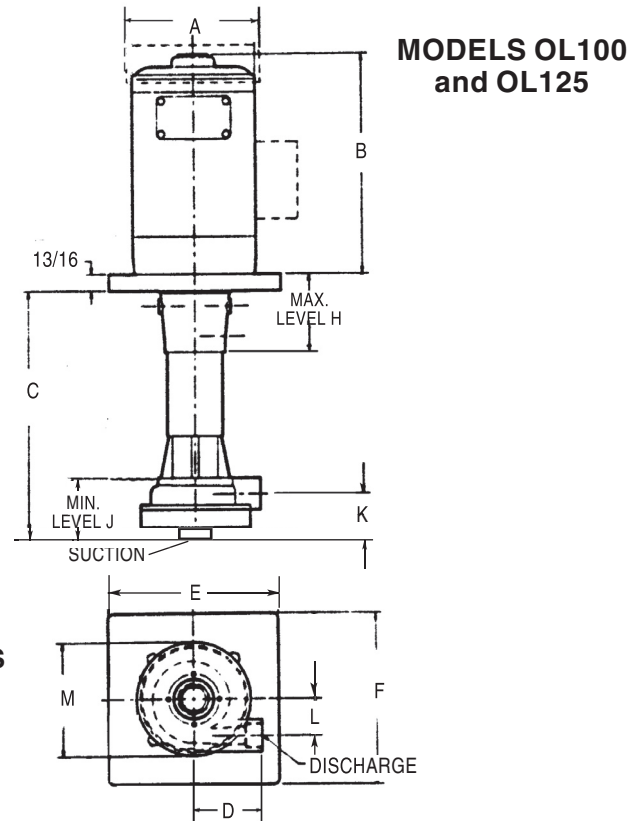
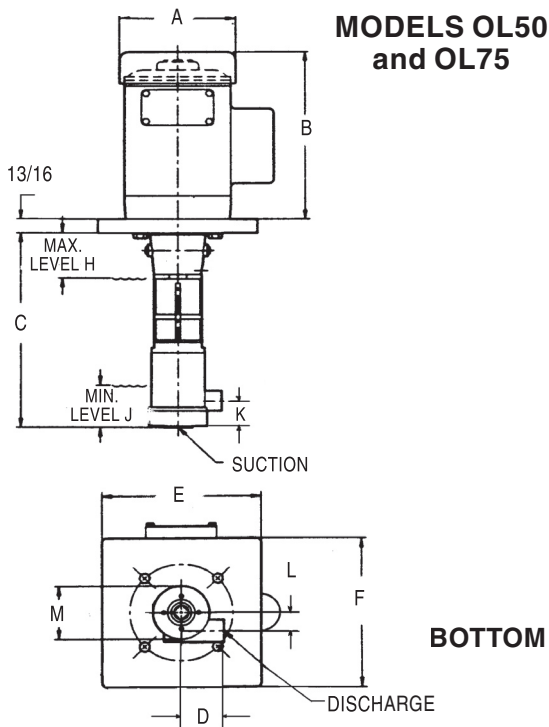
SUMP DRAINING &
WASTE TREATMENT

SERIES 'O' Specifications



LEGEND: HP - - - **FLOW** ———

DIMENSIONS (In.)



BOTTOM VIEWS

MODEL	A & B	C	D	E	F	H	J	K	L	M	SUCT. x DISCH.
OL50VCP OL50VPP OL50VPF	See Motor	9-1/2	2	5-1/32	7-27/32	1-1/2	2-1/4	1-9/16	1-1/8	3-5/16	1" x 1/2"
		9-3/8	2	5	7-3/4					3-1/4	
		9-5/16	1-15/16	4-5/16	7-11/16					3-1/4	
OL75VCP OL75VPP OL75VPF	Dimension Chart	12-1/2	2-1/2	9	9	3-1/16	2-3/4	1-3/4	1-1/8	3-3/8	1" x 3/4"
		12-3/8	2-7/16	8-7/8	8-7/8					3-11/32	
		12-13/32	2-7/16	8-29/32	8-29/32					3-11/32	
OL100VCP OL100VPP OL100VPF	Dimension Chart	13-1/8	3-1/2	9	9	4-1/8	2-13/16	2-5/16	1-7/8	6-11/32	1-1/4" x 1"
		12-15/16		8-29/32	8-29/32					2-9/32	6-1/4
		12-29/32		8-29/32	8-29/32					2-1/4	6-5/32
OL125VCP OL125VPP OL125VPF	Dimension Chart	13-3/16	4	9	9	4-1/8	3-5/8	2-9/32	2-5/8	8-1/8	1-1/2" x 1-1/4"
		13-1/16		8-29/32	8-29/32					2-9/32	8
		12-31/32		8-29/32	8-29/32					2-5/16	7-15/16

TO ORDER, use Price Code Number

TABLE I Polypropylene, CPVC or PVDF with EPDM elastomers

FLOW CURVE	MAX. FLOW	POLYPROPYLENE (pump & motor) MODEL	PRICE CODE NUMBER	CPVC (pump & motor) MODEL	PRICE CODE NUMBER	PVDF (pump & motor) MODEL	PRICE CODE NUMBER
1	17	OL50VPP-C.2	39-9111 A	OL50VCP-C.2	39-9112 A	OL50VPF-C.2	39-9113 A
2	23	OL75VPP-C.3	39-9121 B	OL75VCP-C.3	39-9122 B	OL75VPF-C.3	39-9123 B
3	60	OL100VPP-C.75	39-9131 D	OL100VCP-C.75	39-9132 D	OL100VPF-C.75	39-9133 D
4	80	OL125VPP-D1.5	39-9141 M	OL125VCP-D1.5	39-9142 M	OL125VPF-D1.5	39-9143 M

TABLE II Polypropylene, CPVC or PVDF with Viton elastomers

FLOW CURVE	MAX. FLOW	POLYPROPYLENE (pump & motor) MODEL	PRICE CODE NUMBER	CPVC (pump & motor) MODEL	PRICE CODE NUMBER	PVDF (pump & motor) MODEL	PRICE CODE NUMBER
1	17	OV50VPP-C.2	39-9211 A	OV50VCP-C.2	39-9212 A	OV50VPF-C.2	39-9213 A
2	23	OV75VPP-C.3	39-9221 B	OV75VCP-C.3	39-9222 B	OV75VPF-C.3	39-9223 B
3	60	OV100VPP-C.75	39-9231 D	OV100VCP-C.75	39-9232 D	OV100VPF-C.75	39-9233 D
4	80	OV125VPP-D1.5	39-9241 M	OV125VCP-D1.5	39-9242 M	OV125VPF-D1.5	39-9243 M

TABLE III (for other models)

PUMP		ELASTOMER			SIZE			MATERIAL			MOTORS					
MODEL	PRICE CODE NO.	MODEL	PRICE CODE NO.	DESC.	MODEL	PRICE CODE NO.	DESC. S x D (In)	MODEL	PRICE CODE NO.	DESC.	ADDTO 1Ø		ADDTO 3Ø		HP	RPM
O	39-9	L	1	EPDM	50V	1	1 x 1/2	PP	1	PP	MODEL 1Ø	PCN 1Ø	MODEL 3Ø	PCN 3Ø		
		V	2	Viton	75V	2	1 x 3/4	CP	2	CPVC	-C.2	A	-	-	1/5	3000
					100V	3	1 1/4 x 1	PF	3	PVDF	-C.3	B	-D.3	H	1/3	3450
					125V	4	1 1/2 x 1 1/4				-C.5	C	-D.5	J	1/2	3450
											-C.75	D	-D.75	K	3/4	3450
											-C1.0	E	-D1.0	L	1.0	3450
											-C1.5	F	-D1.5	M	1.5	3450
											-C2.0	G	-D2.0	N	2.0	3450
											-	-	-D3.0	P	3.0	3450

MOTOR DIMENSION CHART (Inches)

HP	1Ø		3Ø	
	A	B	B	A
.2	4-5/8	6-1/2	—	—
.33	6-3/16	9-5/16	6-3/16	9-5/16
.5	6-3/16	9-5/16	6-3/16	9-5/16
.75	6-3/16	9-15/16	6-3/16	9-5/16
1.0	7-3/16	11-3/16	6-3/16	9-5/16
1.5	7-3/16	11-3/16	6-3/16	9-15/16
2.0	7-3/16	12-1/16	7-3/16	11-3/16
3.0	—	—	7-3/16	11-3/16

GENERAL PRODUCT NOTES:

- Motor dimensions are to be used for reference only. Dimensions will vary by motor and make.
- Model OL50 not for use with 56C motors
- 3.1 is 115-230V/1/60; 3 is 230-460V/3/60.



SERFILCO

2900 MacArthur Blvd. 847-509-2900
Northbrook, IL 60062-2005 U.S.A. 800-323-5431
e-mail: sales@serfilco.com FAX: 847-559-1995
www.serfilco.com

BULK RATE
U.S. POSTAGE
PAID
NORTHBROOK, ILLINOIS
PERMIT NO. 2018

SERFILCO – the leader in dry run capable plastic vertical pump technology from 4 to 400 GPM.

