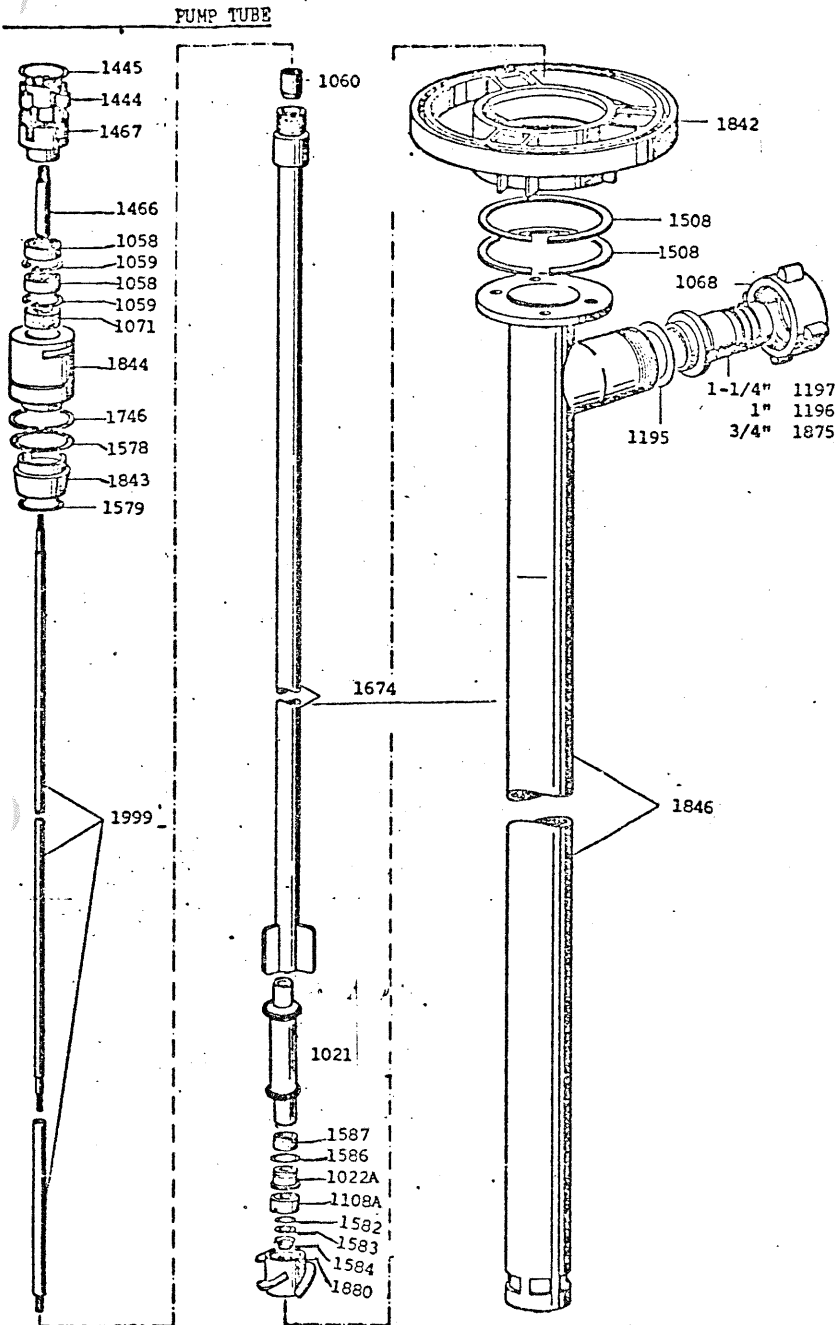


SERFILCO®

HASTELLOY C DRUM PUMP

(Supplied prior to January, 1978)

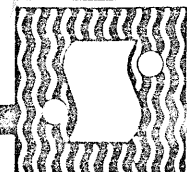


REFER TO MASTER PRICE LIST F-800

PART NO.	DESCRIPTION
••• 55-1021	Bearing
••• 55-1019	Bearing
••• 55-1020	Bushing
55-1022A	Seal
55-1529	See 55-1999
55-1058	Grooved Ball Bearing
55-1059	Seal
55-1060	Intermediate Bearing
55-1068	Wing Nut
55-1071	Seal
55-1108A	Ceramic Seal
55-1195	Oil Seal
55-1444	Balance Cross
55-1445	Snap Ring
55-1674-A	Inside Pump Tube 27"
55-1674-B	Inside Pump Tube 34"
55-1674-C	Inside Pump Tube 47"
55-1466	Coupling Shaft
55-1467	Upper Balance Shaft
55-1508	Snap Ring
55-1842	Connector Nut
55-1584	Seal Spring
55-1583	Seal Ring
55-1578	O-Ring
55-1579	O-Ring
55-1582	O-Ring
55-1586	O-Ring
55-1587	Oil Seal
*55-1999-A	Upper & Lower Pump Shaft 27"
*55-1999-B	Upper & Lower Pump Shaft 34"
*55-1999-C	Upper & Lower Pump Shaft 47"
55-1746	Clip Ring
55-1846-A	Outside Pump Tube 27"
55-1846-B	Outside Pump Tube 34"
55-1846-C	Outside Pump Tube 47"
55-1844	Bushing
55-1843	Bushing
55-1875	Hose Connector 3/4"
55-1196	Hose Connector 1"
55-1197	Hose Connector 1 1/4"
55-1880	Rotor

*Upper & Lower Pump Shaft are welded together.
 •••55-1019 & 55-1020 are now a 55-1021 - 1 pc. assembly.
 Minimum Order \$15.00.

F.O.B. Glenview, Illinois Terms: Net 30 Prices subject to change without notice.



SERFILCO®

DIVISION OF SERVICE OIL CORPORATION

1234 DEPOT STREET, GLENVIEW, ILLINOIS 60025
(312) 998-9300 TELEX: 253699

DISTRIBUTED BY

(Printed in U.S.A.)