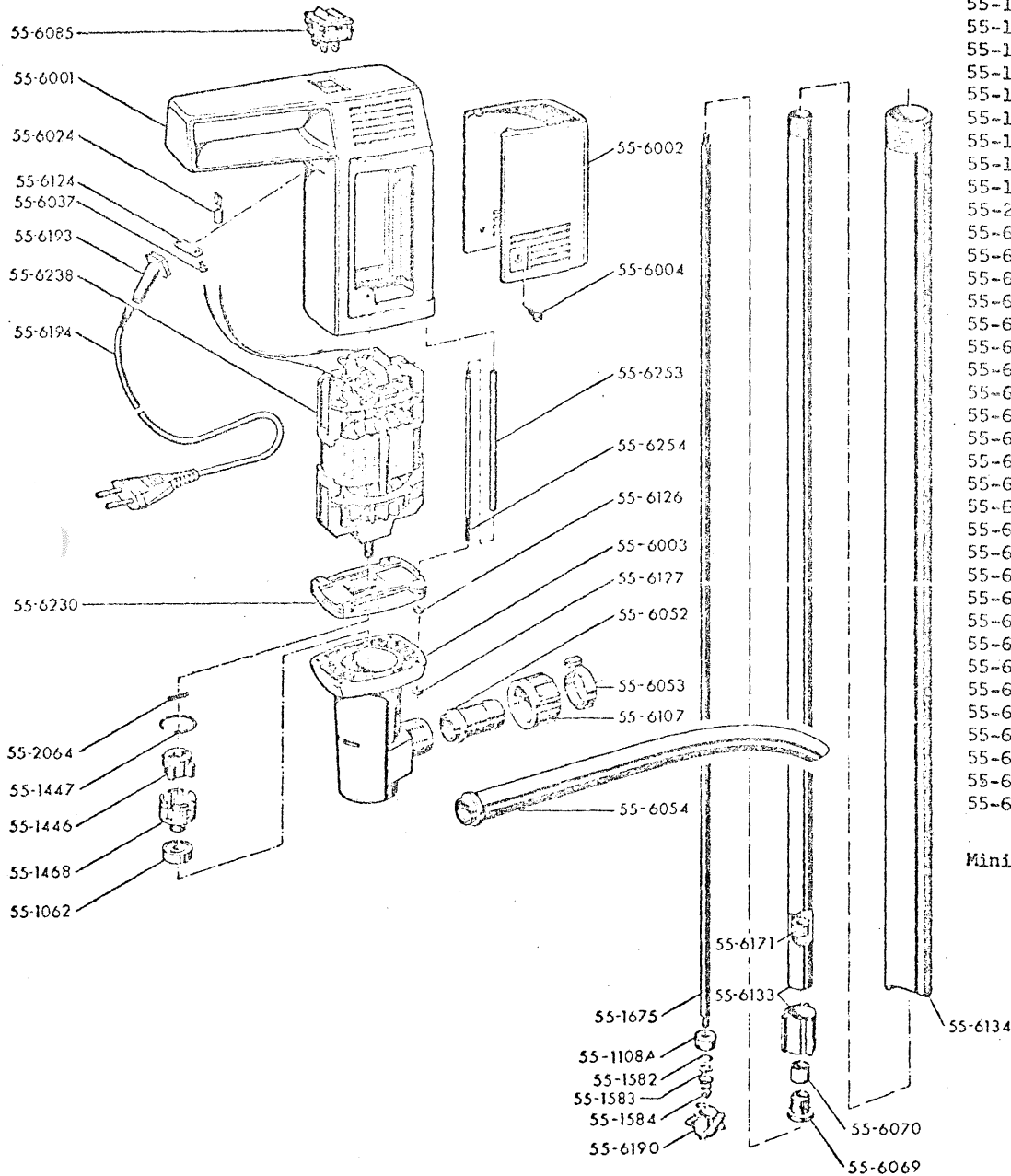


# SERFILCO®

PARTS LIST  
P-2600C  
July, 1977

## PP8500 POLYPROPYLENE CARBOY PUMP & MOTOR UNIT

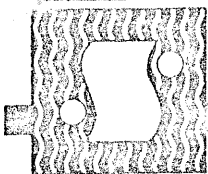
REFER TO MASTER PRICE LIST P-800



PART NO.	DESCRIPTION
55-1062	Ball bearing
55-1108A	Ceramic Seal
55-1446	Balance Cross
55-1447	Snap ring
55-1468	Upper balance shaft
55-1582	Teflon ring
55-1583	"O" ring
55-1584	Seal spring
55-1675	Drive shaft
55-2064	Pin on armature
55-6001	Motor housing
55-6002	Front motor cover
55-6003	Pump head
55-6004	Screw (2)
55-6024	Wire clip (2)
55-6037	Screw (2)
55-6052	Hose connector 3/4"
55-6053	Hose clamp
55-6054	Curved spout 3/4"
55-6069	Carbon bushing
55-6070	Bearing
55-6085	On-off switch
55-6107	Cap nut
55-6124	Cord Retainer
55-6126	Slotted Nut (4)
55-6127	Hex Nut (4)
55-6133	Inner pump tube
55-6134	Outer pump tube
55-6171	Bearing
55-6190	Impeller
55-6193	Cord protector
55-6194	Cord
55-6230	Motor intermediate plate
55-6238	Motor
55-6253	Spacer tube (4)
55-6254	Connector rod (4)

Minimum order \$15.00

F.O.B. Northbrook, Illinois Terms: 1 - 10, Net 30 Prices contained herein subject to change without notice.



# SERFILCO®

REPRESENTED BY

1415 Waukegan Road, Northbrook, Illinois 60062  
(312) 493-1010 (Chgo.) 273-3240 Telex: 253699

(Printed in U.S.A.)