

MERMAID® IN-TANK FILTRATION SYSTEMS

PARTS LIST
P-2500L
JULY 1992

Refer to Bulletin F-505 and Operation and Service Guide O-0020.

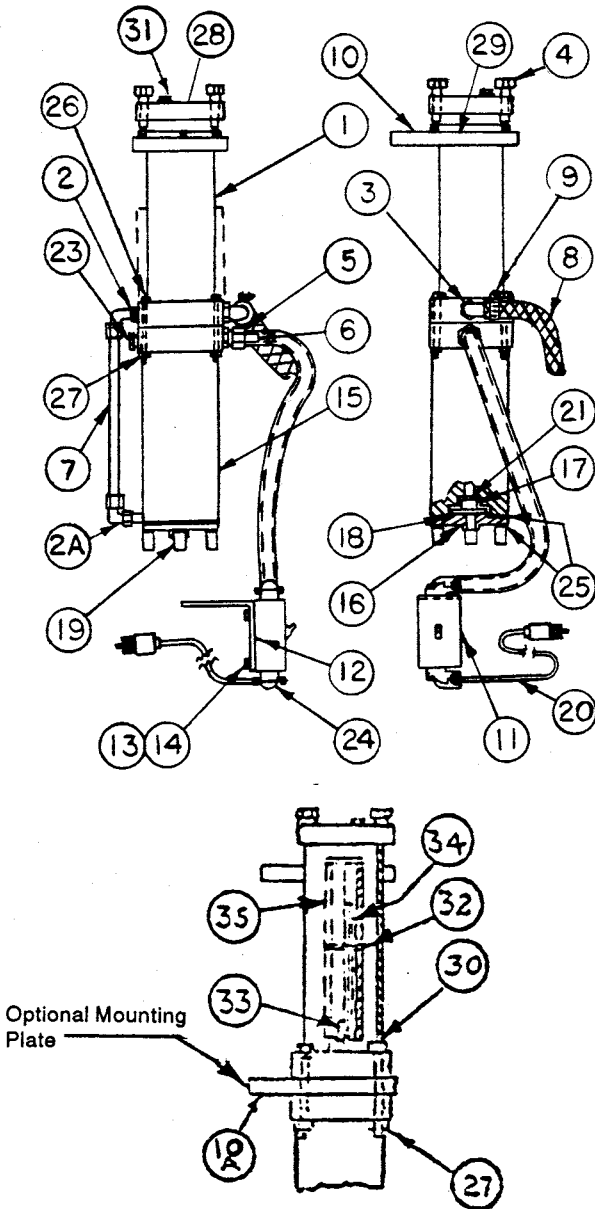
MODEL NO.	PRICE CODE NO.	
	NEW	(OLD)
SAUL4 ½P SPPV	AL1.4AS	(1700C)
SAUL6 ½P SPPV	AL2.1AS	(1701C)
SAUL10 ½P SPPV	AL1AS	(1702C)
SAUL20 ½P SPPV	AL2AS	(1703C)
SAUL30 ½P SPPV	AL3AS	(1704C)
SCL4 ½P SPPV	CL1.4AS	(1705C)
SCL6 ½P SPPV	CL2.1AS	(1706C)
SCL10 ½P SPPV	CL1AS	(1707C)
SCL20 ½P SPPV	CL2AS	(1708C)
SCL30 ½P SPPV	CL3AS	(1709C)

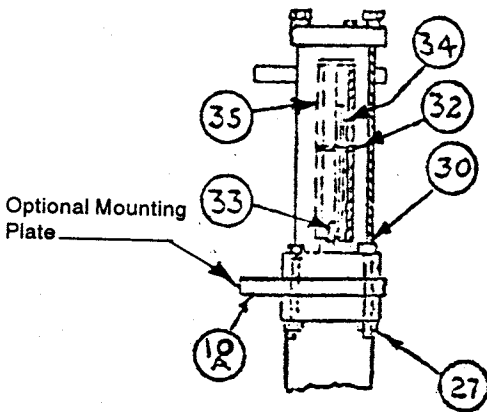
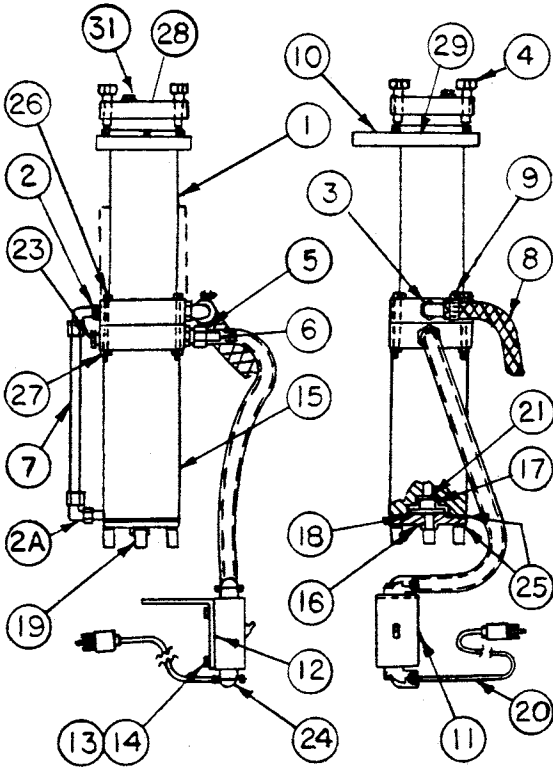
ITEM	DESCRIPTION	MODEL	PART NO.
1	Base & Shell Assembly ½"NPT ABS Base & acrylic shell	SAUL4	88-1227
		SAUL6	88-1228
	CPVC Base & shell	SAUL10	88-1229
		SAUL20	88-1230
		SAUL30	88-1231
		SCL4	88-1232
		SCL6	88-1233
2	Elbow -polypropylene 1/2"NPT 3/8"NPT	ALL	33-1071
		ALL	33-1072
3	Elbow hose adapter ½" -Polypropylene -CPVC	SAUL SCL	33-0186 33-1278
4	Plastic knob & threaded sleeve assembly (4 req'd)	ALL	11-0298
5	Male connection 5/8 -polypropylene	ALL	33-1073
6	Hose support	ALL	99-0330
7	Tubing ½" O.D. x 1½" -polypropylene	ALL	22-0469
8	Discharge hose 5/8"dia. x 6 ft. vinyl reinforced	ALL	22-0430
9	Hose clamp stainless steel	ALL	22-0502
10	Mounting Plate -CPVC	ALL	44-3200
10A	Mounting Plate -CPVC (optional)	ALL	44-3200A
11	Starter switch (optional)	ALL	66-1110A
12	Starter Bracket -vinyl coated steel (optional)	ALL	77-0117
13	S.S. Hex bolt, ¼-20 x ¾ -stainless steel (opt)	ALL	11-0419
14	S.S. Hex nut ¼-20 2 req'd (optional)	ALL	11-0103
15	Pump housing & motor, 115/1/60 -polypropylene (Less cover, impeller, 'O'-ring & feet) Pump complete -polypropylene Pump housing & motor 230/1/50 -polypropylene (Less cover, impeller 'O'-ring & feet) Pump complete -polypropylene *Motor - factory replacement only (Return Prepaid)	ALL	44-0746A
		ALL	44-0746
		ALL	44-0749B
		ALL	44-0749
16	Cover -polypropylene	ALL	44-0710A
17	Impeller - polypropylene 60 Hz-3300 RPM 2-5/16" long 50 Hz -2750 RPM 2-23/32(69 mm) long	ALL	44-1414
		ALL	44-1335A
18	Cover 'O'-ring -Viton -EPDM	OPTIONAL	44-0726
		ALL	44-0606
19	Feet (4 req'd)	ALL	44-0748
20	Line cord & plug, used with starter (#11) 8' long -polypropylene(optional)	ALL	66-0302

*Price for replacement will be based on condition of pump unit.

NOTE: Older polypropylene & CPVC pump parts are interchangeable with above parts.

CAUTION: Always use an electrical circuit protected by a ground fault circuit interrupter (GFCI).





MODEL NO.	PRICE CODE NO.	
	NEW	(OLD)
SAUL4 1/2P SPPV	AL1.4AS	(1700C)
SAUL6 1/2P SPPV	AL2.1AS	(1701C)
SAUL10 1/2P SPPV	AL1AS	(1702C)
SAUL20 1/2P SPPV	AL2AS	(1703C)
SAUL30 1/2P SPPV	AL3AS	(1704C)
SCL4 1/2P SPPV	CL1.4AS	(1705C)
SCL6 1/2P SPPV	CL2.1AS	(1706C)
SCL10 1/2P SPPV	CL1AS	(1707C)
SCL20 1/2P SPPV	CL2AS	(1708C)
SCL30 1/2P SPPV	CL3AS	(1709C)

ITEM	DESCRIPTION	MODEL	PART NO.
21	Disk-TFE	ALL	44-1339
24	Line cord connector (used on starter #11)	ALL	66-0310
25	'O'-ring -EPDM	ALL	22-0580
26	Hex head bolt 1/4-20 x 3 1/2 -stainless steel (4req'd)	ALL	11-0263
27	Hex nut 1/4-20 (4 req'd)		11-0103
28	Cover with 'O'-ring ABS & EPDM 'O'-ring CPVC & EPDM 'O'-ring EPDM 'O'-ring only Viton 'O'-ring	SAUL SCL SAUL & SCL Optional	88-0301 88-0305 22-0283 22-0328
29	Shell retaining collar	ALL	88-1098
30	Hex head bolt -stainless steel 1/4-20 x 4 1/2 (4 req'd) Used w/optional mounting plate	ALL	11-0530
31	Vent plug w/EPDM 'O'-ring -EPDM 'O'-ring only -Viton 'O'-ring only	ALL ALL Optional	88-1282A 22-0600 22-0691
32	Cartridge spacer - Viton - EPDM	SAUL & SCL 20" & 30"	22-0204 22-0218
33	Bottom cartridge guide - Lexan - CPVC	SAUL 4", 6", & 10" SCL 4", 6", & 10"	88-0404 88-0412
34	Cross post -CPVC	SAUL & SCL 20" 30"	88-0350-4 88-0351-4
35	Depth cartridge- Refer to Current Product Catalog		

NOTE: Older polypropylene & CPVC pump parts are interchangeable with above parts.

CAUTION: Always use an electrical circuit protected by a ground fault circuit interrupter (GFCI).

