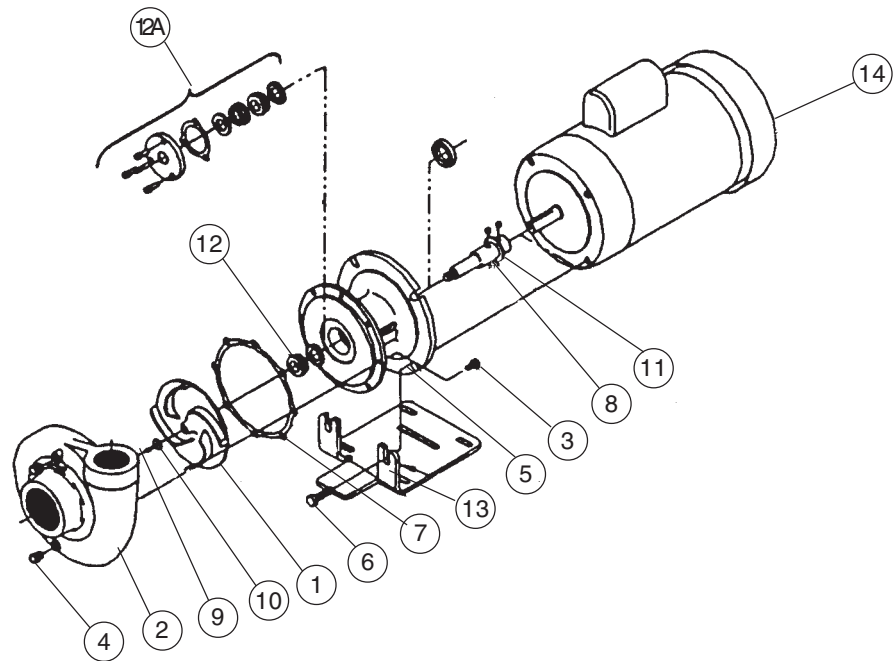




SERIES 'HSS' HORIZONTAL 316SS PUMPS

Refer to Bulletin P-108, Operation and Service Guide O-2520 and Master Price List F-800

For pumps manufactured after Jan. 1, 1995 refer to Parts List P-2255.



ITEM	DESCRIPTION	MODELS	
		HSS 1	HSS 1½
1	Impeller, For single mechanical seal Diameter 3.62, curve #1 " 4.00, curve #2 " 4.25, curve #3 " 4.50, curve #4 " 4.94, curve #5 " 3.62, curve #6 " 4.25, curve #7 " 4.50, curve #8 " 4.94, curve #9 For double mechanical seal, add -2 to Part Numbers	61-0201 61-0202 61-0225 61-0203 61-0204 - - - -	- - - - - 62-0212 62-0214 62-0215 62-0216
2	Volute	61-0200	62-0200
3	Volute bolts ¼"-20 x ½" hex head - 316SS (8 req'd)	11-2150	
4	Pipe plugs, 1/8" - 316SS (2 req'd)	33-6060	
5	Bracket, single seal pump double seal pump	61-0226 61-0226 1	
6	Motor bolts, lower, 3/8"-16 x 1¼" - stainless steel (2 req'd) upper, 3/8"-16 x 7/8" - stainless steel (2 req'd)	11-0372 11-2151	
7	Gasket - Teflon	61-0217	
8	Shaft w/setscrew, 5/8" dia. 7/8" dia.	61-0227 61-0234	62-0210 62-0211
9	Lockscrew, 8- 32 x ½" Allen head - 316SS	61-0224	
10	Lockscrew washer, flat - 316SS	11-0279	
11	Slinger	61-0228	
12	Single seal M2 seal - Viton (316SS) M1 seal - EPR (316SS)	55-0498 1 55-0478 1	
12A	Double seal and seat (optional) M2 x M1 seal - Viton (2 req'd) M1 x M1 seal - EPR (2 req'd) Double seal plate Plate gasket - Teflon Plate bolts, 8-32 x ½" Allen head -316SS (3 req'd)	61-0229 61-0230 61-0231 61-0232 61-0224	
13	Base - steel, painted (standard)	61-0233	
14	MOTORS - Select as needed (see Page 2)		

MOTORS	¾ HP	1 HP		1½ HP	2 HP 3 HP
NEMA 56C, 3450/2850 RPM					
TEFC, 115/230/1/50-60	44-0583 1	44-7119	—	—	—
EXP, 115/230/1/60	66-1282	66-1349	—	—	—
TEFC, 230/460/3/50-60	44-0583 C	44-7124	—	—	—
TEFC, 575/3/60	44-7123	44-7125	—	—	—
EXP, 208-230/460/3/60	66-1350	66-1351	—	—	—
NEMA 145TC, 3450/2850 RPM					
TEFC, 230/460/3/50-60	—	—	44-7398	44-7130	44-7133
TEFC, 575/3/60	—	—	44-7128	44-7131	44-7134
EXP, 208-230/460/3/60	—	—	66-1310	66-1311	66-1352

F.O.B. Northbrook, Illinois

Terms: Net 30 Days

Minimum order \$25.00



SERFILCO[®], LTD.

2900 MacArthur Blvd. 847-509-2900
 Northbrook, IL 60062-2005 U.S.A. 800-323-5431
 e-mail: sales@serfilco.com FAX: 847-559-1995
 www.serfilco.com

WESTERN

13721 Alma Avenue 310-532-0801
 Gardena, CA 90249-2513 FAX: 310-532-0866