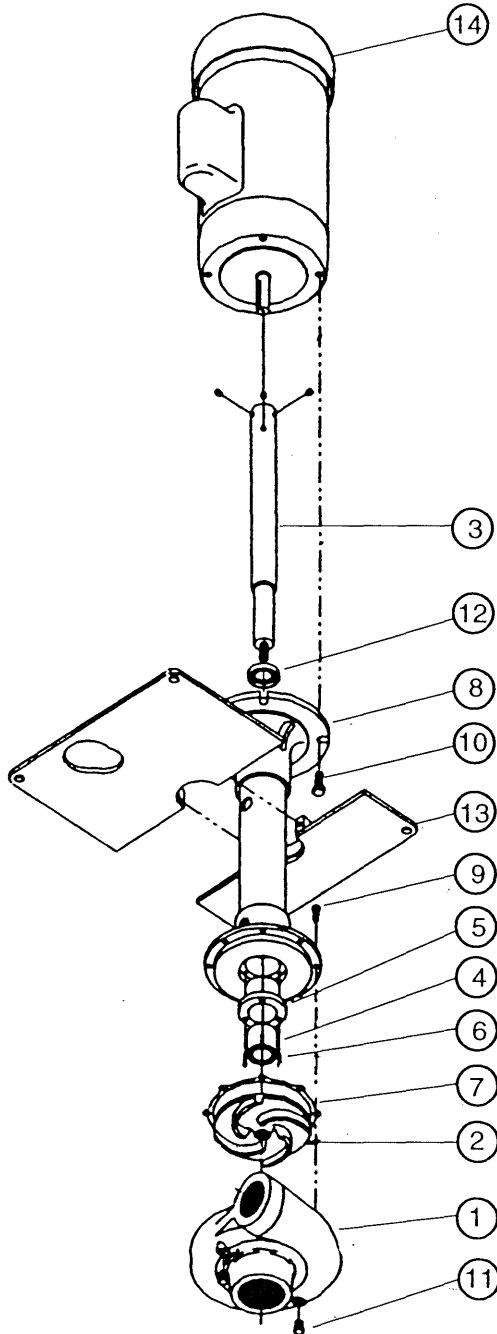




# SERIES 'ESS' VERTICAL 316SS PUMPS

Refer to Bulletin P-307, Operation and Service Guide O-918 and Master Price List F-800.

For pumps manufactured after Jan. 1, 1995, refer to Parts List P-2230.



ITEM	DESCRIPTION	MODELS	
		ESS 1	ESS 1½
1	Volute/suction casing	61-0200	62-0200
2	Impeller		
	Diameter 3.62, curve #1	61-0201	—
	" 4.00, curve #2	61-0202	—
	" 4.50, curve #3	61-0203	—
	" 4.94, curve #4	61-0204	—
	" 3.62, curve #5	—	62-0212
	" 4.00, curve #6	—	62-0213
	" 4.25, curve #7	—	62-0214
3	5/8" ID shaft w/ setscrews For use w/56C motor (¾ & 1 HP) - stainless steel		
	13"	61-0205	62-0202
	20"	61-0206	62-0203
	32"	61-0207	62-0204
	44"	61-0208	62-0205
	7/8" ID shaft with setscrews For use w/143/145TC motor (1.5 - 3 HP) - stainless steel		
	13"	61-0209	62-0206
	20"	61-0210	62-0207
32"	61-0211	62-0208	
44"	61-0212	62-0209	
4*	Bushing - graphite (std)	61-0213	
	- GFT (Rulon) - optional	61-0214	
	Pin for GFT (1 req'd)	66-0215	
5*	Bushing plate	61-0216	
6	Bushing plate screws (3 req'd) 8"-32 x ½" Allen head - 316 stainless steel	61-0224	
7*	Gasket - Teflon	61-0217	
8	Column assembly - stainless steel	13"	
		20"	
		32"	
		44"	
9	Volute bolts (8 req'd) ¼"-20 x ½" hex head - 316 stainless steel	11-2150	
10	Motor bolts (4 req'd) 3/8"-16 x 1" hex head - stainless steel	11-0375	
11	Pipe plugs, 1/8" - 316 stainless steel (2 req'd)	33-6060	
12*	Fume barrier		
	- Viton for 5/8" ID shaft - Viton for 7/8" ID shaft	61-0222 61-0223	
13	Plate assembly (optional)		
	12" x 12" sq. - steel 12" x 12" sq. - stainless steel	61-1000 61-2000	

\* Recommended spare parts.

14	MOTORS - Select as needed	¾ HP	1 HP	1½ HP	2 HP	3 HP
NEMA 56C, 3450/2850 RPM	TEFC, 115/230/1/50-60	44-0583 1	44-7119	—	—	—
	EXP, 115/230/1/60	66-1282	66-1284	—	—	—
	TEFC, 230/460/3/50-60	44-0583 C	44-7124	—	—	—
	TEFC, 575/3/60	44-7123	44-7125	—	—	—
	EXP, 208-230/460/3/60	66-1324	66-1285	—	—	—
NEMA 145TC, 3450/2850 RPM	TEFC, 230/460/3/50-60	—	—	44-7398	44-7130	44-7133
	TEFC, 575/3/60	—	—	44-7128	44-7131	44-7134
	EXP, 208-230/460/3/60	—	—	66-1286	66-1289	66-1346

F.O.B. Northbrook, Illinois

Terms: Net 30 Days

Minimum order \$25.00

## SERFILCO, LTD.

1777 Shermer Road 847-559-1777  
Northbrook, IL 60062-5360 U.S.A. 800-323-5431  
Email: sales@serfilco.com FAX: 847-559-1995  
Web: http://www.serfilco.com

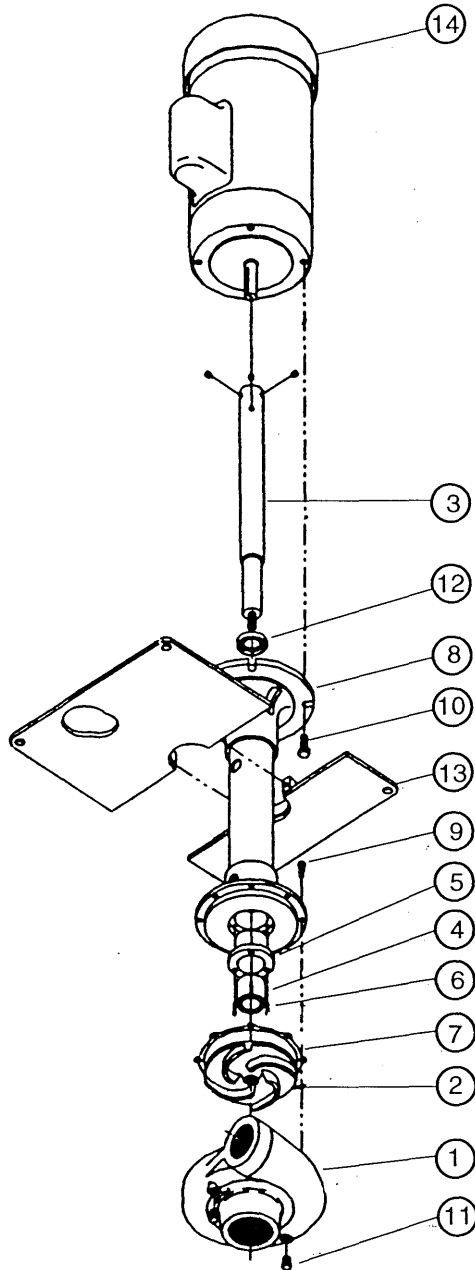
WESTERN  
310-532-0801  
FAX: 310-532-0866



# SERIES 'ESS' VERTICAL 316SS PUMPS

Refer to Bulletin P-307-1 and Operation and Service Guide O-918-1.

For pumps manufactured after Jan. 1, 1995, refer to Parts List P-2230-1.



ITEM	DESCRIPTION	MODELS			
		ESS 1	ESS 1½		
1	Volute/suction casing	61-0200	62-0200		
2	Impeller				
	Diameter 3.62, curve #1	61-0201	—		
	" 4.00, curve #2	61-0202	—		
	" 4.50, curve #3	61-0203	—		
	" 4.94, curve #4	61-0204	—		
	" 3.62, curve #5	—	62-0212		
	" 4.00, curve #6	—	62-0213		
	" 4.25, curve #7	—	62-0214		
3	5/8" ID shaft w/ setscrews For use w/56C motor (¾ & 1 HP) - stainless steel	13"	61-0205	62-0202	
		20"	61-0206	62-0203	
		32"	61-0207	62-0204	
		44"	61-0208	62-0205	
	7/8" ID shaft with setscrews For use w/143/145TC motor (1.5 - 3 HP) - stainless steel	13"	61-0209	62-0206	
		20"	61-0210	62-0207	
		32"	61-0211	62-0208	
		44"	61-0212	62-0209	
		4*	Bushing - graphite (std)	61-0213	
			- GFT (Rulon) - optional	61-0214	
Pin for GFT (1 req'd)	66-0215				
5*	Bushing plate	61-0216			
6	Bushing plate screws (3 req'd) 8"-32 x ½" Allen head - 316 stainless steel	61-0224			
7*	Gasket - Teflon	61-0217			
8	Column assembly - stainless steel	13"	61-0218		
		20"	61-0219		
		32"	61-0220		
		44"	61-0221		
9	Volute bolts (8 req'd) ¼"-20 x ½" hex head - 316 stainless steel	11-2150			
10	Motor bolts (4 req'd) 3/8"-16 x 1" hex head - stainless steel	11-0375			
11	Pipe plugs, 1/8" - 316 stainless steel (2 req'd)	33-6060			
12*	Fume barrier				
	- Viton for 5/8" ID shaft - Viton for 7/8" ID shaft	61-0222 61-0223			
13	Plate assembly (optional)				
	12" x 12" sq. - steel 12" x 12" sq. - stainless steel	61-1000 61-2000			

\* Recommended spare parts.

14	MOTORS - Select as needed	¾ HP	1 HP	1½ HP	2 HP	3 HP
NEMA 56C, 3450/2850 RPM	TEFC, 115/230/1/50-60	44-0583 1	44-7119	—	—	—
	EXP, 115/230/1/60	66-1282	66-1284	—	—	—
	TEFC, 230/460/3/50-60	44-0583 C	44-7124	—	—	—
	TEFC, 575/3/60	44-7123	44-7125	—	—	—
	EXP, 208-230/460/3/60	66-1324	66-1285	—	—	—
	NEMA 145TC, 3450/2850 RPM	TEFC, 230/460/3/50-60	—	—	44-7398	44-7130
TEFC, 575/3/60		—	—	44-7128	44-7131	44-7134
EXP, 208-230/460/3/60		—	—	66-1286	66-1289	66-1346

Prices: EX Works Manchester

Terms: Nett 30 Days

Minimum Order £30.00



## SERFILCO® EUROPE

Broadoak Ind. Park  
Ashburton Road West, Trafford Park  
Manchester M17 1RW England

Phone: 0161-872-1317  
FAX: 0161-873-8027  
Email: sales@serfilco-europe.com

DISTRIBUTED BY: