



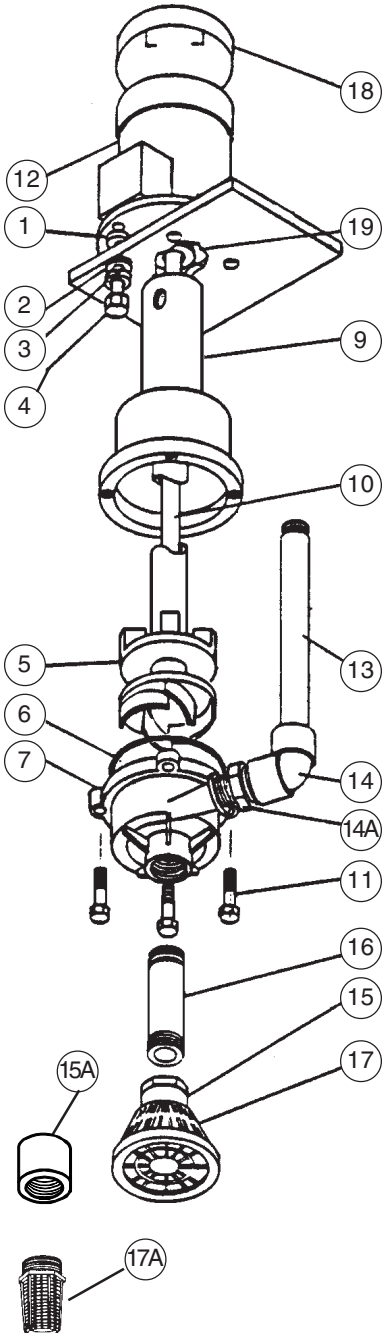
SERIES 'EC' PLASTIC SUMP PUMPS

MODELS	PRICE CODE NOS.	MODELS	PRICE CODE NOS.
ECL ^{3/4} -2SC-C.3	45-0201	EKL ^{3/4} -2SC-C.3	45-0401
ECL ^{3/4} -2SC-D.3	45-0202	EKL ^{3/4} -2SC-D.3	45-0402
ECL ^{3/4} -3SC-C.75	45-0203	EKL ^{3/4} -3SC-C.75	45-0403
ECL ^{3/4} -3SC-D.75	45-0204	EKL ^{3/4} -3SC-D.75	45-0404

Refer to Bulletin P-304,
Operation and Service
Guide O-1400 and
Master Price List F-800.

PUMP ONLY

MODELS	PRICE CODE NOS.
ECL ^{3/4} -2SC	CPVC 45-0242 PVDF 45-0243
EKL ^{3/4} -2SC	CPVC 45-0244 PVDF 45-0245



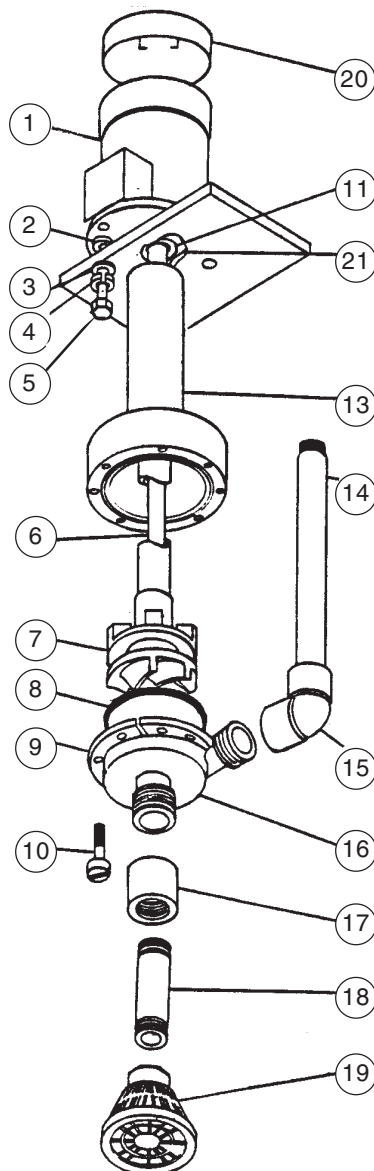
ITEM	DESCRIPTION	3/4HP PART NO.	1/3 HP PART NO.
1 ¹	Spacer, 3/16" thick -PVC (4 req'd)	33-0394	
2	Flat washer, 3/8" size - stainless steel (4 req'd)	11-0126	
3	Lockwasher, 3/8" size - stainless steel (4 req'd)	11-0140	
4	Hex bolt, 3/8"-16 x 1" - stainless steel (4 req'd)	11-0375	
4A ¹	Cap - polyethylene (4 req'd)	33-1627	
5 ¹	Impeller & sleeve assembly 3-5/8" diameter impeller - CPVC " " " - PVDF 2 1/2" diameter impeller - CPVC " " " - PVDF	44-4309 44-4352 - -	- - 44-4309-1 44-4367
6 ¹	'O'-ring - EPDM (standard) - Viton	22-0586 22-0585	
7	Suction casing - PVDF (NAT) - CPVC	44-4363 44-4316-1	
9	Support column and mounting plate assembly - CPVC - PVDF w/DPA hole for CPS - CPVC	44-4315 44-4351 44-4315-8	44-4324 44-4366 44-4324-4
10 ¹	Pump shaft - stainless steel - titanium (optional)	44-4305 44-5091	44-4325 44-5090
11	Fillister head screw 5/16"-18 x 1 1/2" - CPVC (4 req'd) 5/16"-18 x 1 1/4" - PVDF (4 req'd) Hex bolt, 5/16"-18 x 1 1/2" - stn.stl. - CPVC models 5/16"-18 x 1" - stn.stl. - PVDF models	11-0636 11-0663 11-0113 11-0112	
12	Motor, TEFC, 3450 RPM 3/4 HP 115/208/230/1/50-60 3/4 HP 230/380/460/3/50-60 1/3 HP 115/208/230/1/50-60 1/3 HP 230/380/460/3/50-60	66-1047 66-1048 - -	- - 66-1044 66-1045
13	Discharge pipe, 1" NPT x 12" long (optional) - CPVC - PVDF	33-1051 33-1051 K	
14	Discharge elbow (optional), - 1" NPT - CPVC - PVDF	33-0994 33-0994 K	
14A	Reducing coupling (optional), 1" x 3/4" - CPVC Reducing bushing (optional), 1" x 3/4" - PVDF Reducing bushing (std. for CPS), 1" x 3/4" - CPVC	33-0911 33-0184 K 33-0184	
15	Reducing bushing (optional), 1 1/2" x 1" - PVDF	33-0181 K	
15A	Coupling 1" NPT - CPVC	33-0893	
16	Suction pipe (optional), 1" x 18" NPT - CPVC 1" x 18" NPT - PVDF 1" x close - PVDF	33-6049 33-6049 K 33-1011 K	
17	Suction strainer (optional) - ECTFE	99-1029	
17A	Suction strainer (optional) - polyethylene	33-6058	
18	Drip cover, (optional)	66-1120	-
19	Vapor seal - TFE (standard)	55-0566	55-0565

¹ Recommended spare parts

MODELS	PRICE CODE NOS.	MODEL	PRICE CODE NOS.
ECKL1½-4SC-C1.0	45-0210	EKL1½-4SC-C1.0	45-0410
ECKL1½-4SC-D1.0	45-0211	EKL1½-4SC-D1.0	45-0411
ECKL1½-5SC-C1.5	45-0212	EKL1½-5SC-C1.5	45-0412
ECKL1½-5SC-D1.5	45-0213	EKL1½-5SC-D1.5	45-0413

PUMP ONLY

MODELS	PRICE CODE NOS.
ECKL1½-4SC	45-0246
EKL1½-4SC	45-0247
ECKL1½-5SC	45-0248
EKL1½-5SC	45-0249



¹ Recommended spare parts
² Not included on pumps with vapor seal.

ITEM	DESCRIPTION	1½HP PART NO.	1 HP PART NO.
1	Motor, TEFC, 3450/2850 RPM 1½ HP 115-208/230/1/50-60 1 HP 208-230/460/3/50-60 1 HP 115-208/230/1/50-60 208-230/460/3/50-60	66-1034 66-1021 - -	- - 66-1197 66-1022
2 ¹	Spacer, 3/16" thick - PVC (4 req'd)	33-0394	
3	Flat washer, 3/8" size - stainless steel (4 req'd)	11-0126	
4	Lockwasher, 3/8" size - stainless steel (4 req'd)	11-0140	
4A ¹	Cap - polyethylene	33-1627	
5	Hex bolt, 3/8"-16 x 1¼" - stainless steel (4 req'd)	11-0372	
6 ¹	Pump shaft - stainless steel - titanium (optional)	44-5048-1 44-5092	
7 ¹	Impeller & sleeve assembly ¾" diameter impeller (std. on 1½ HP) - CPVC - PVDF ¾" diameter impeller (std. on 1 HP) - CPVC - PVDF	44-5052-1 44-4378 44-5056-1 44-4389	
8 ¹	'O'-ring, 4¾ x 4½ - EPDM (standard) - Viton	22-0362 22-0322	
9	Mounting ring, - CPVC - PVDF	44-5043 44-4383	
10	Fillister head screw, 3/8"-16 x 1-1/8" long - CPVC (8 req'd) 5/16"-18 x 1¼" long - PVDF (8 req'd) Hex bolt 3/8"-16 x 1¼" long - stainless steel (8 req'd) 5/16"-18 x 1¼" long - stainless steel (8 req'd)	11-0653 11-0663 11-0372 11-0363	
11 ²	Slinger washer - Neoprene - Viton	55-0140 55-0140-1	
13	Support column and mounting plate assembly - CPVC - PVDF	44-5054 44-4377	
14	Discharge pipe, 1½" NPT x 12" long (optional) - CPVC - PVDF	33-1059 33-1059 K	
15	Discharge elbow threaded, 1½" NPT (optional) - CPVC - PVDF	33-0996 33-0996 K	
16	Suction casing - PVDF	44-4025	
17	Coupling, threaded 1½" - CPVC (optional) - PVDF (optional)	33-0895 33-0895 K	
18	Suction pipe, 1½" x 18" NPT - CPVC (optional) - PVDF (optional)	33-2288 33-2288 K	
19	Suction strainer assembly (optional) - polyethylene - ECTFE	99-0743-1 99-1029	
20	Drip cover (optional)	66-1120	
21	Vapor seal - TFE (standard)	55-0567	

F.O.B. Northbrook, Illinois

Terms: Net 30 Days

Minimum order \$25.00



SERFILCO[®], LTD.

2900 MacArthur Blvd. 847-509-2900
Northbrook, IL 60062-2005 U.S.A. 800-323-5431
e-mail: sales@serfilco.com FAX: 847-559-1995
www.serfilco.com

WESTERN

13721 Alma Avenue 310-532-0801
Gardena, CA 90249-2513 FAX: 310-532-0866