

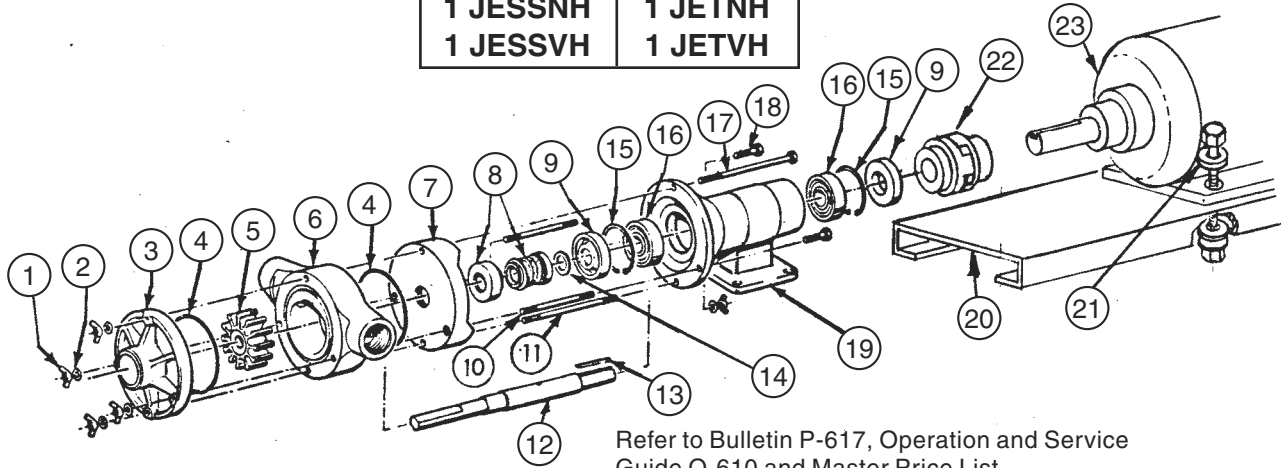


# SELF-PRIMING PUMP & MOTOR UNITS

PARTS LIST  
P-2075H  
JAN. 1998

For pumps built prior to 7-1-93

MODELS	
1 JESSNH	1 JETNH
1 JESSVH	1 JETVH



Refer to Bulletin P-617, Operation and Service Guide O-610 and Master Price List.

ITEM	DESCRIPTION	PART NO.
*1	Wing nut	11-0101
*2	Washer	44-1901
3	End cover	44-1903
*4	'O'-ring, -Neoprene (standard) -Viton	44-1906 44-1907
*5	Impeller, - Neoprene (standard) - Viton	44-2003 44-2004
6	Body	44-2005
*7	Seal housing	44-2008
*8	Seal assembly, - Buna N (standard) - Viton	44-2006 44-2007
9	Bearing seal	44-2010
10	Stud	44-2002
11	Stud	44-2001
12	Shaft - stainless steel (standard) - titanium	44-2012 44-2013
13	Key	44-2016
14	Washer	44-2009
15	Retaining ring	44-2015
16	Ball bearing	44-2011
17	Bolt	44-2000
18	Bolt	44-1913
19	Bearing housing	44-2014
20	Base 9"x19" - vinyl coated steel	77-0113
21	Hex head bolt 1/4"-20 (4 req'd) Flat washer 1/4" (8 req'd) Whiz locknut 1/4" (4 req'd)	11-0415 11-0121 11-0103
22	Coupling	99-0114
23	Motor, 1 HP, TEFC 115/1/60 w/line cord	66-0106C
	1" I.D. x 10 ft. clear vinyl reinforced hose (2 req'd) not shown	22-0619
	1" straight hose adapter (2 req'd) not shown	33-1277
	1" hose clamps -stainless steel (2 req'd) not shown	22-0505

\*Recommended spare parts.

(We suggest you order the recommended spare parts required for pump servicing, and group your orders whenever possible to minimize handling and processing costs, in an effort to keep your cost of operation as low as possible.)

F.O.B. Northbrook, Illinois

Terms: Net 30 Days

Minimum order \$50.00



**SERFILCO®**

2900 MacArthur Blvd.  
Northbrook, IL 60062-2005 U.S.A.  
e-mail: sales@serfilco.com

847-509-2900  
800-323-5431  
FAX: 847-559-1995

www.serfilco.com