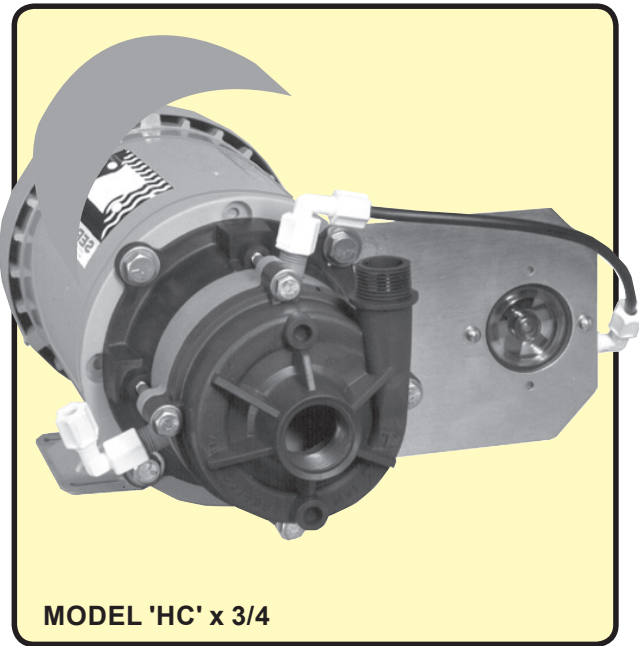




SERIES 'HC' | HORIZONTAL PUMPS

High Efficiency *and* Low Energy usage for:

Wastes | Acids | Plating | Chemicals | Photographic | Etching | Scrubbing



MODEL 'HC' x 3/4

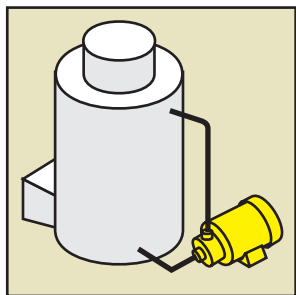
Shown with double mechanical water-flush seal and available DRI-STOP 2R

- **Flows to 35 U.S. GPM or 48 FT. TDH @ 60 Hz**
(110 LPM or 10m @ 50 Hz)
- **Non-metallic solution contact**
- CPVC or 100% PVDF
(See a chemical resistance chart)
- **Single or double mechanical seal**
Carbon/ceramic or silicon carbide
EPDM or Viton® elastomers
- **Centrifugal — quiet, vibration-free**
- **Standard models provide non-overloading full flow with liquids to 1.2 S.G.**
- **Chemical duty motor (1/3 - 3/4 HP)**
Sealed oversized bearings, cast iron end bells
Corrosion resistant two-part epoxy enamel finish, stainless steel name plate
1.15 service factor at 50 and 60 Hz

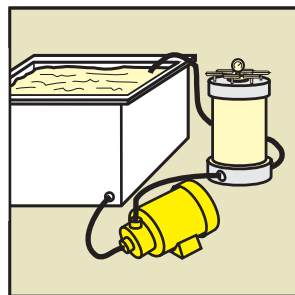
Series 'HC' Horizontal Pumps feature "total" chemical resistance with non-metallic construction of all wetted components. The molded, semi-enclosed impellers are designed to provide maximum pumping efficiency. These pumps feature external single seal or double water-flushed mechanical seal with choice of EPDM or Viton elastomer materials.

Available close-coupled to minimize size or long-coupled with bearing pedestal base plate and motor. All close-coupled pumps are driven by chemical duty motors suitable for continuous duty in corrosive environments.

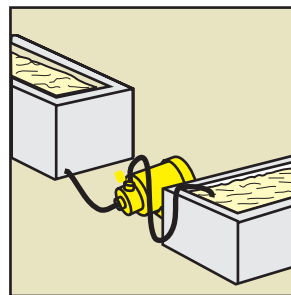
Pumps are ideal for transferring and recirculating industrial solutions, plating solutions, process chemicals and other fluid handling applications.



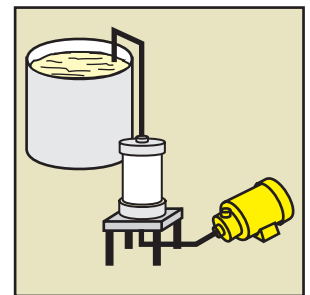
FUME SCRUBBING



CLEANING & DESCALING



WASTE TREATMENT



SOLUTION TRANSFER
w/PRIMING CHAMBER

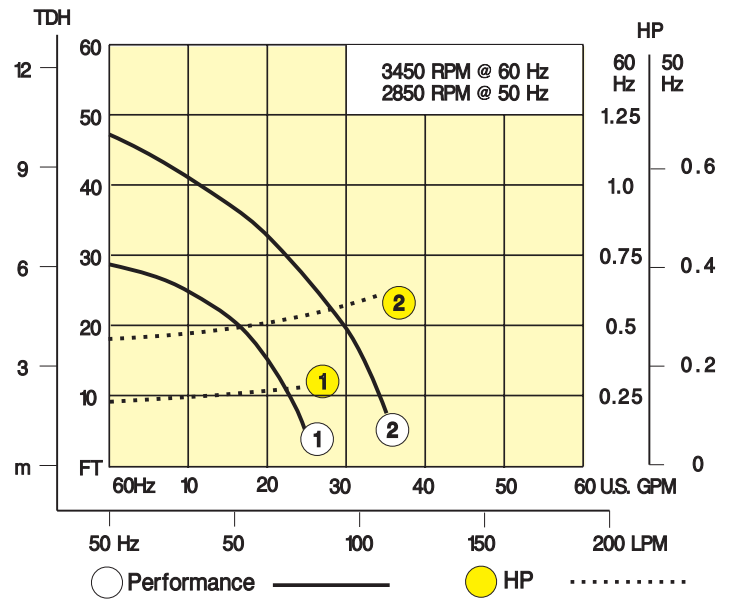
2900 MacArthur Blvd. Northbrook, IL. USA 60062 www.serfilco.com (800) 323 - 5431

Series 'HC' pumps have 1" FNPT suction x 3/4" MNPT discharge and are available in CPVC or 100% PVDF. Elastomers are Viton or EPDM.

All models utilize a molded, semi-enclosed impeller. Mechanical seal is externally mounted and not in solution contact. Double water flushed mechanical seal is recommended for applications where abrasives or salts are present, or for conditions where metal deposition will occur. In addition, double water flush sealed pumps will permit dry run operation.

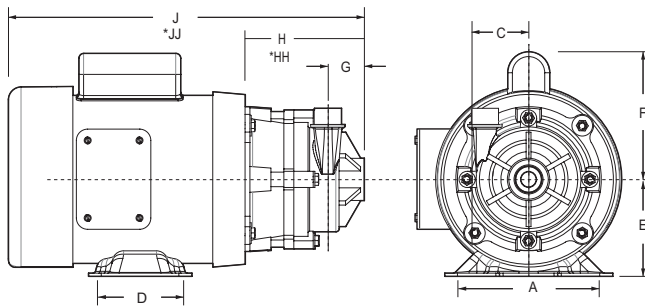
Mechanical seals are available with carbon/ceramic or all silicon carbide seal faces.

Motors are chemical duty with sealed oversize bearings, cast iron end bells, two-part epoxy finish, and stainless steel tag. Motors are rated with 1.15 service factor at 50 or 60 Hz.



DIMENSIONS

MODEL HC1 x 3/4



DIMENSIONS						
	A	B	C	D	E	F
Inches	4-7/8	9	1-11/16	3	3-1/2	2-3/4
(mm)	(124)	(229)	(43)	(76)	(89)	(70)
	G	H	* HH	J	* JJ	
	1-13/32	4-5/16	5-7/32	13-1/16	14	
	(36)	(110)	(133)	(332)	(356)	

* HH and JJ are double seal dimensions.

ORDERING INFORMATION

TABLE I

Select flow curve with desired performance. Select CPVC or PVDF. All models have carbon/SF¹ ceramic seal, Viton elastomers, and single phase motor. Motor HP is non-overloading for full flow at 1.2 S.G.

CURVE	CPVC SINGLE SEAL		CPVC DOUBLE SEAL		
	MODEL	PRICE CODE NO.	MODEL	PRICE CODE NO.	
1	HC1 x 3/4C1V(M2) C.3	47-0612 A	HC1 x 3/4C1V(M2 x M1) C.3	47-0615 A	
2	HC1 x 3/4C2V(M2) C.75	47-0622 C	HC1 x 3/4C2V(M2 X M1) C.75	47-0625 C	
		PVDF SINGLE SEAL		PVDF DOUBLE SEAL	
1	HC1 x 3/4K1V(M2) C.3	47-0712 A	HC1 x 3/4K1V(M2 x M1) C.3	47-0715 A	
2	HC1 x 3/4K2V(M2) C.75	47-0722 C	HC1 x 3/4K2V(M2 x M1) C.75	47-0725 C	

¹ SF= Silica-free ceramic.

ORDERING INFORMATION Con't

TABLE II

To construct model/price code number for pump with EPDM elastomers, SiC seal, three phase motor or increased horsepower, see chart below. Use price code number to order.

EXAMPLE:

PUMP + IMPELLER + ELASTOMER & MECHANICAL SEAL + MOTOR = PRICE CODE NO.
 HC1x3/4C + 2 + V(M8 x M1) + C.75 = 47-0628 C

PUMP		
MATERIAL	MODEL	PRICE CODE NO.
CPVC	HC1 x 3/4C	47-06
100% PVDF	HC1 x 3/4K	47-07

IMPELLER	
FLOW CURVE	ADD TO MODEL & PCN
1	1
2	2

"O"-RING MECHANICAL SEAL		
MATERIAL (SOLUTION CONTACT)	ADD TO . . .	
	MODEL	PCN
<u>SINGLE SEAL</u>		
EPDM, carbon SF ¹ ceramic	L(M1)	1
EPDM, silicon, carbide	L(M8)	0
Viton, carbon SF ¹ ceramic	V(M2)	2
Viton, silicon carbide	V(M8)	7
<u>DOUBLE SEAL</u>		
EPDM, carbon SF ¹ ceramic	L(M1xM1)	4
EPDM, silicon, carbide	L(M8xM1)	9
Viton, carbon SF ¹ ceramic	V(M2xM1)	5
Viton, silicon carbide	V(M8xM1)	8

MOTOR - TEFC					PUMP & MOTOR SHIP. WT. (Lbs.)
HP	I-PHASE ²		3-PHASE ³		
	MODEL	PCN	MODEL	PCN	
1/3	-C.3	A	-D.3	B	25
3/4	-C.75	C	-D.75	D	30

¹ SF= Silica-free ceramic.

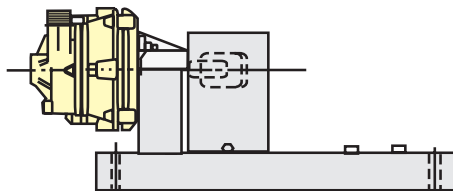
² Single Phase
115-190-230V/1/50-60

³ Three Phase
230-460V/3/50-60 or 380-415V/3/50

OPTIONAL

LONG-COUPLED KIT

Long-Coupled Kit includes plastic bearing pedestal frame, fiberglass reinforced channel (23.5" x 10" x 2.75"), flexible coupling and guard, and stainless steel fasteners. To order unit assembled with motor, add 42-0204.



TO ORDER LONG COUPLED KIT	ADD TO MODEL NO.	PRICE CODE NO.
For 56 frame (HC1 x 3/4 pump)	- LCK-1	42-0210
Assembled with motor		42-0204