



SERFILCO®

Chemical resistant pumps & filters engineered for industry

BULLETIN
P-201_W
05/22/19
Page 1 of 2

SERIES 'HE' | HORIZONTAL PUMPS

175 U.S. GPM or 140 ft. TDH @ 60 Hz

EPDM or FKM elastomers

Motor (1.0-7.5 HP)
NEMA JM

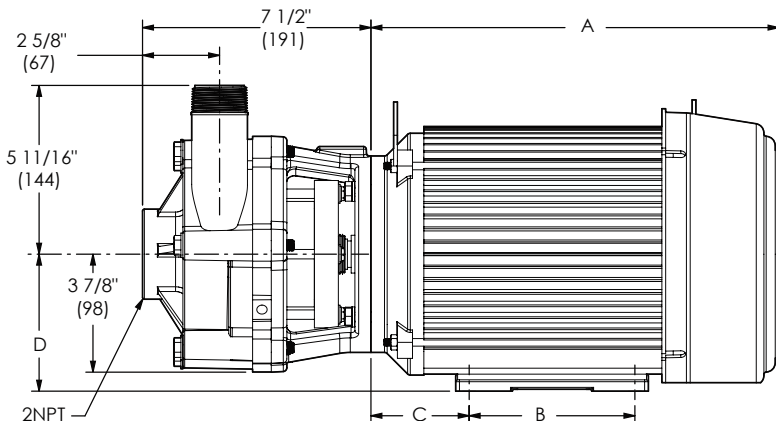
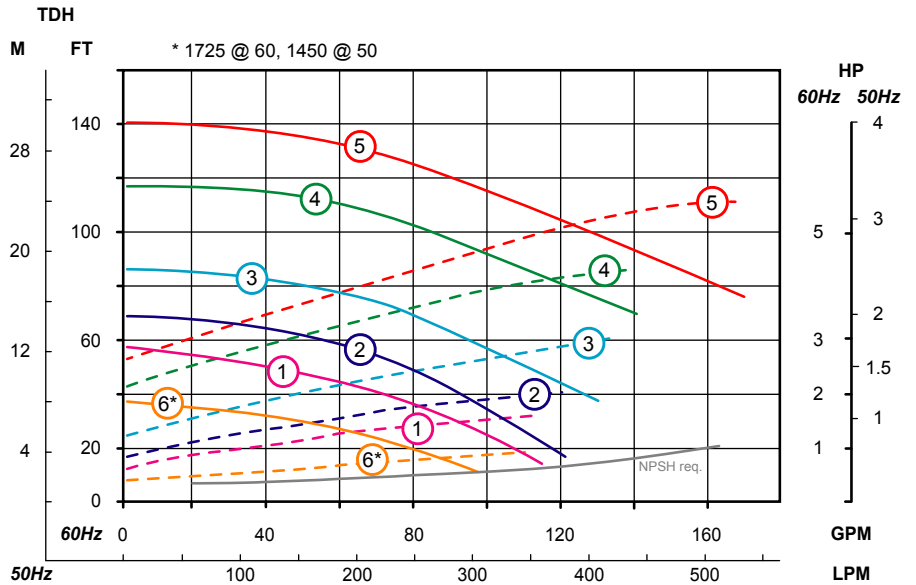
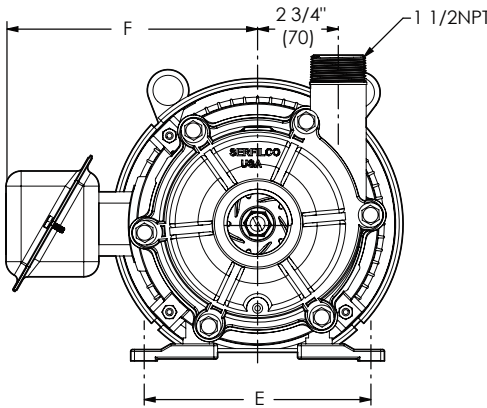
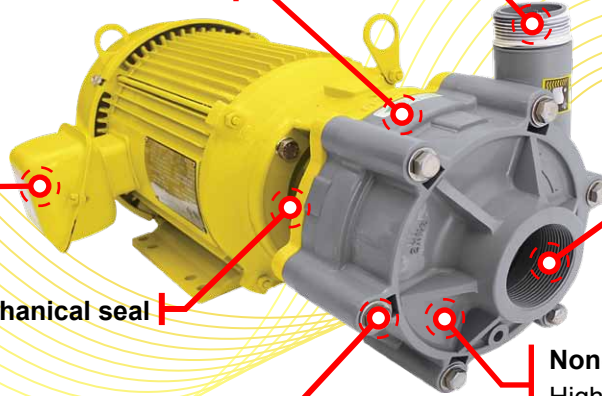
Centrifugal
Quiet & vibration free

Choice of single or double mechanical seal

Non-metallic solution contact

High-temp PP, CPVC, PVDF or ECTFE
(See chemical resistance guide T-102)

Pump casing indexes to six directions of discharge



Voltage	HP (kW)	Dimensions: in. (mm)						
		A	B	C	D	E	F	
208-230/460/3/60 1725 rpm	1.0 (.75)	9.19 (233)	4 (102)	2.56 (65)	3.5 (89)	5.5 (140)	6.25 (219)	
208-230/460/3/60 3450 rpm	1.5 (1.1)							
208-230/460/3/60 1725 rpm	1.5 (1.1)	10.25 (260)	5 (127)	2.75	4.5 (115)	7.5 (160)	7.5 (160)	
	2.0 (1.5)							
208-230/460/3/60 3450 rpm	3.0 (2.2)	11.00 (279)	5.5 (140)	2.75	4.5 (115)	7.5 (160)	7.5 (160)	
	5.0 (3.7)							
	7.5 (5.5)							

Dimensions are for reference only.

* Motor dimensions will vary with motor manufacturer.

