

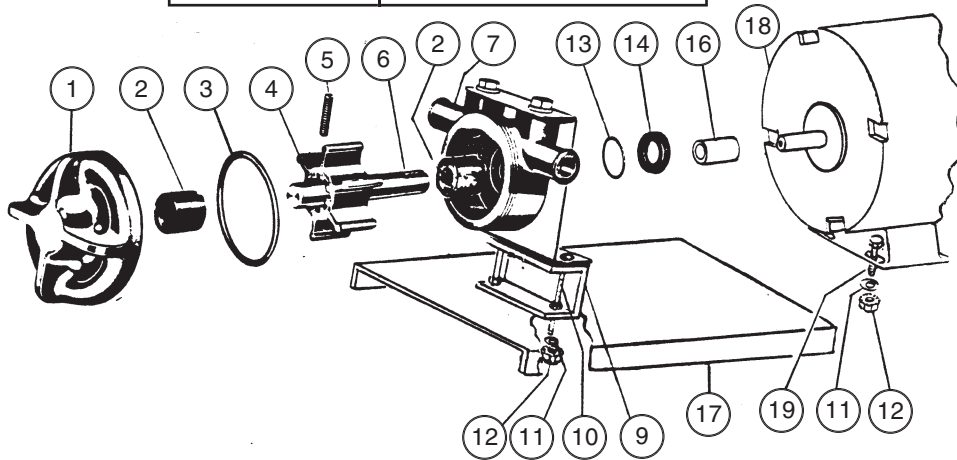


SELF-PRIMING PUMP AND MOTOR UNITS

PARTS LIST
P-2000K
JAN. 1998

| MODEL | PRICE CODE NUMBER |
|-------------|-------------------|
| 1/2 JPH | 48-0070A |
| 1/2 JPH-015 | 48-0071A |
| 1/2 JPH-02 | 48-0072A |

Refer to Bulletin P-617, Operation and Service Guide O-560 and Master Price List F-800.



| ITEM | DESCRIPTION | PART NO. |
|------|--|-------------------------------|
| 1 | End cover with bearing | 44-0235 |
| 2* | Bearing | 44-0223 |
| 3* | "O" ring - Neoprene (standard) - Viton | 44-0241 44-0210 |
| 4* | Impeller - Neoprene (standard) - Viton - Nitrile (Buna N) | 44-0232 44-0217 44-0392 |
| 5 | Impeller pin, Model 1/2 JPH - stainless steel (standard) Model 1/2 JPH-02 - Hastelloy B Model 1/2 JPH-015 - titanium | 44-0211 44-0212 44-0233 |
| 6* | Shaft, Model 1/2 JPH - stainless steel (standard) Model 1/2 JPH-02 - Hastelloy B Model 1/2 JPH-015 - titanium | 44-0236 44-0237 44-0239 |
| 7 | Body sub-assembly | 44-0234 |
| 8 | Pump only - (Items 1 - 7, 13 & 14) | 44-0221 |
| 9 | Bracket | 77-0115 |
| 10 | Stove bolt - 1/4" (4 required) | 11-0270 |
| 11 | Flat washer - 1/4" (4 required) | 11-0121 |
| 12 | Whiz lock nut - stainless steel - 1/4" (6 required) | 11-0103 |
| 13* | "O" ring (seal) - Neoprene (standard) - Viton | 44-0213 44-0199 |
| 14* | Lip seal - Neoprene (standard) - Viton | 44-0231 44-0209 |
| 15 | End cover wrench (not shown) | 44-0198 |
| 16 | Coupling | 99-0111 |
| 17 | Base - 9" x 13½" x 1" | 77-0103-1 |
| 18 | 1/3 HP, TEFC motor, 115/230/1/60 w/line cord Vinyl reinforced hose, 5/8" x 10 ft. (not shown) (2 required) Hose clamp (not shown) (2 required) | 66-0101 22-0429 22-0502 |
| 19 | Hex head bolt, 1/4" - 20 (4 required) | 11-0419 |

*We suggest you order the recommended spare parts required for pump servicing, and group your orders whenever possible to minimize handling and processing costs, in an effort to keep your cost of operation as low as possible.

F.O.B. Northbrook, Illinois

Terms: Net 30 Days

Minimum order \$50.00



SERFILCO

2900 MacArthur Blvd.
Northbrook, IL 60062-2005 U.S.A.
e-mail: sales@serfilco.com

847-509-2900
800-323-5431
FAX: 847-559-1995

www.serfilco.com