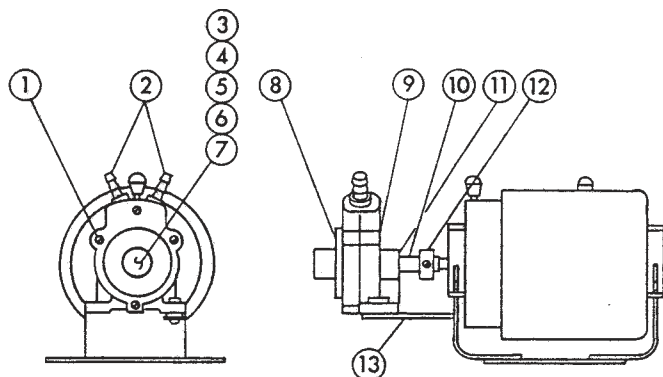




SELF-PRIMING PUMPS

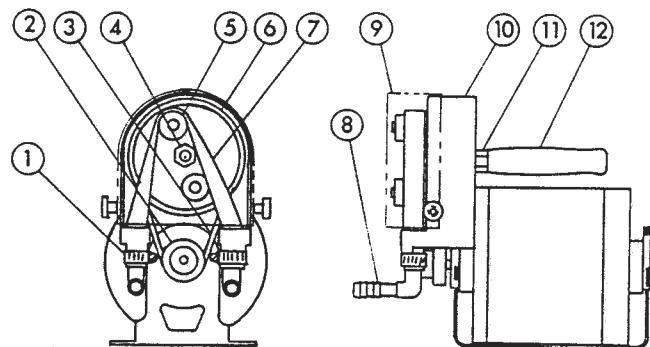
MODELS	PRICE CODE NOS.
3/16 RVH 1/2 RVH	44-0476 44-0451

Refer to Bulletin P-606,
Operation and Service Guide
O-340 and Master Price List F-800.



MODEL 3/16 RVH

ITEM	DESCRIPTION	PART NO.
1	End cover screws, (set of 4 req'd)	44-0495
2	Tube fittings - CPVC (2 req'd)	44-0494A
3**	Tube spring	44-0496
4*	Pumping tube -vinyl (standard)	44-0493
5	Roller tube guard - vinyl	44-0492
6	Roller - nylon	44-0491
7	End cover bearing	44-0489
8	End cover	44-0487
9	Pump body	44-0486
10	Shaft	44-0490
11	Pump body bearing	44-0488
12	Collar	44-0430
13	Locating pin assembly	44-0393
14	Hose, 3/16" I.D. - vinyl (standard) (Not shown), Price per foot	22-0386
15	Base, 6" x 8" x 1-3/8" not shown - vinyl coated steel (optional)	77-0101
16	Pump only Pump & Motor (115/1/60) Motor only (115/1/60), 1/15 H.P. - TEFC, 1500 RPM	44-0485 44-0476 44-0477



MODEL 1/2 RVH

*Recommended spare parts
** No longer required.

® Norprene is a Registered Trademark of Norton Co.

ITEM	DESCRIPTION	PART NO.
1	Hose clamps - stainless steel (4 req'd)	22-0502
2	Motor drive pulley	44-0473
3	Drive belt	44-0474
4	Driven pulley nut	44-0465
5	Roller assemblies (2 req'd)	44-0467
6	Ball bearing pulley with 2 roller shafts Snap ring (4 req'd)	44-0466 11-0566
7*	Pumping tube, 1/2" I.D. 12" long - Norprene® (std.) - Vinyl (optional)	44-0468-1 44-0468
8	Tube fittings - PVC (2 req'd)	44-0471
9	Shield - plastic	44-0462
10	Pump body - steel	44-0461
11	Pulley shaft & handle	44-0463
12	Handle grip	44-0464
13	Hose, 1/2" I.D. - vinyl (standard) (Not shown), Price per foot	22-0490
14	Base, 13-3/8 x 9 -3/8 x 1 1/4 - vinyl coated stl. (opt.) not shown Hooded base, 16 1/2 x 13-1/8 x 11 - PVC (optional) not shown	77-0103-1
15	Pump only Pump & motor (115/1/60) Motor only (115/1/60), 1/4 H.P. Open drip-proof, 1725 RPM	77-9944 44-0450 44-0451 44-0455

F.O.B. Northbrook, Illinois

Terms: Net 30 Days

Minimum order \$50.00



SERFILCO®

2900 MacArthur Blvd.
Northbrook, IL 60062-2005 U.S.A.
e-mail: sales@serfilco.com

847-509-2900
800-323-5431
FAX: 847-559-1995

www.serfilco.com