



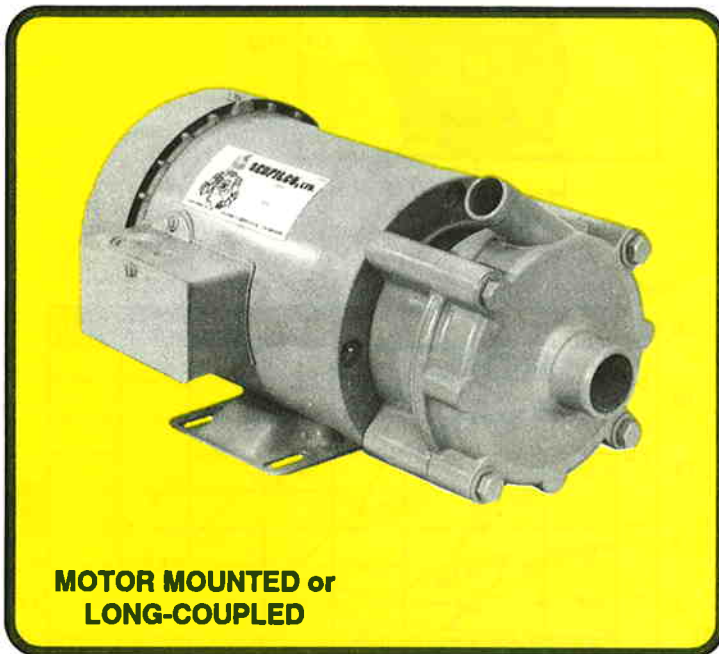
# SERFILCO®

## SERIES 'N' HORIZONTAL PUMP

BULLETIN  
P-104G  
JULY 1993

### HIGH HEAD CENTRIFUGAL FOR:

**WASTES / ACIDS / PLATING  
CHEMICALS / PHOTOGRAPHIC  
ETCHING, SCRUBBING and  
CLEANING SOLUTIONS**

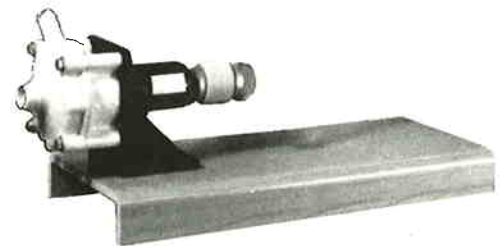


**MOTOR MOUNTED or  
LONG-COUPLED**

- **Chemical resistant**  
Molded of high impact Noryl®  
(See Chemical Resistance Chart)
- **Flow rates to 65 U.S. GPM  
or 95 ft. TDH @ 60 Hz**  
(205 LPM or 20 M @ 50 Hz)
- **Internal mechanical seal**  
Carbon, Ceramic, 304 or 316 SS
- **High efficiency**  
Several impeller/casing combinations are available to obtain high discharge head or high flow rate at minimum horsepower requirements.

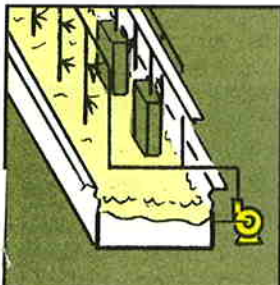
- **MAXIMUM INTERNAL PRESSURE - 60 PSI**
- **MAXIMUM OPERATING TEMPERATURE-180°F**
- **MAXIMUM INLET PRESSURE - 20 PSI**

SERIES 'N' pumps are constructed of injection molded Noryl resin and close-coupled to foot mounted 56J "C" face motor. 304 stainless steel (standard) or titanium shaft adapter (optional) in solution contact. Also available mounted to plastic bearing pedestal with titanium shaft. Pumps are designed for continuous or intermittent duty for pumping a variety of chemically compatible liquids which will not attack the plastic or seal



component exposed to solution. Internal mechanical seal provides pump operation to exceptionally high discharge head. Hydraulic characteristics are adjusted by selectively matching diameter of semi-enclosed, non-clogging impeller with diameter of diffuser throat in pump casing. Combination of impeller and casing, therefore, takes full advantage of available power output for the motor size used.

\*Noryl is a trademark of General Electric Co.



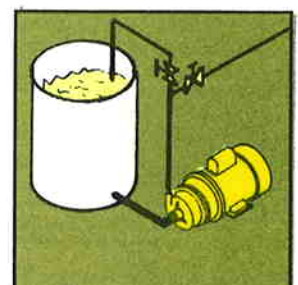
**RECIRCULATION**



**CLEANING and  
DESCALING**

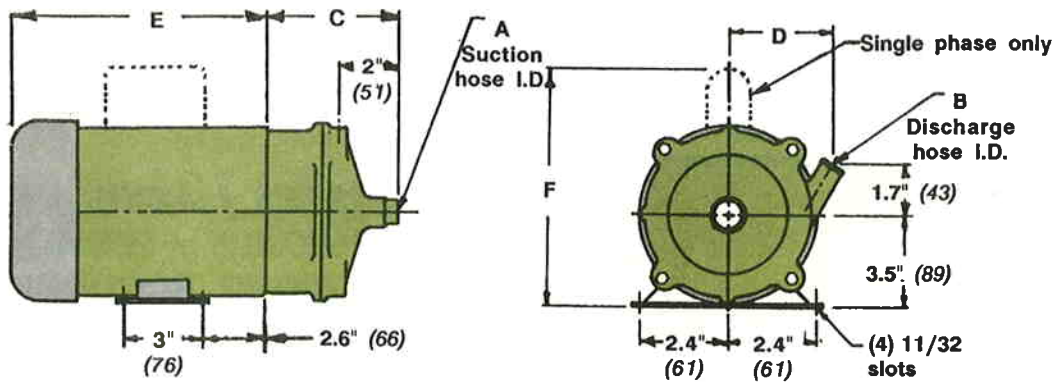


**FILTERING**

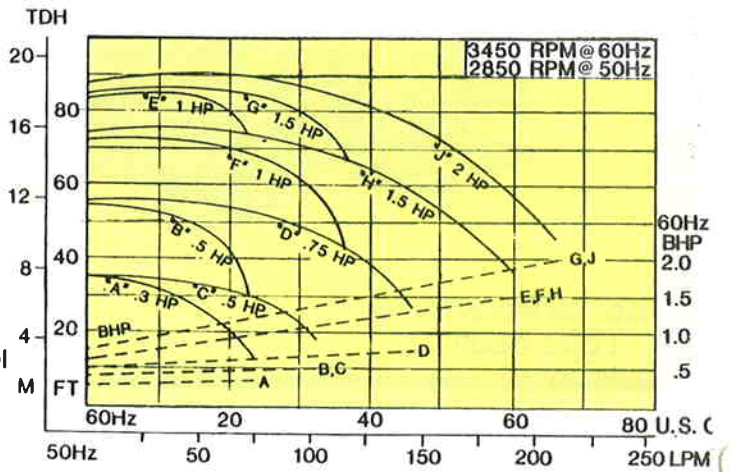


**MIXING and  
TRANSFER PUMPING**

**DIMENSIONS In. (mm)**



PUMP SIZE	PUMP DIMENSIONS				
	inches (mm)	A	B	C	D
1½ x 1	1½ (38)	1 (25)	4-5/8 (117)	3-3/4 (95)	



**TO ORDER**

Based on U.S. GPM and TDH requirements, select:  
 Pump model, impeller, seal and motor to complete model number.  
 Add corresponding Price Code Number suffix to 47-1\_\_\_\_\_  
**For PUMP only:** Do not include motor designation in Model Number or Price Code Number.

**EXAMPLE:**

Typical Model No. 1½ x 1N 3

B(M1)

D.75

Price Code No. 47-1231J

PUMP SIZE	
MODEL	ADD TO ...
	PCN
1-1/2x1N	2

IMPELLER-CASING			
FLOW CURVE	ADD TO ...		
	MODEL	PCN	
A	1	1	
B	2	2	
C	3	3	
D	4	4	
E	5	5	
F	6	6	
G	7	7	
H	8	8	
J	9	9	

"O"-RING & MECH. SEAL			
MATERIAL (SOL CONTACT)	ADD TO ...		
	MODEL	PCN	
BUNA N, 304SS	B(M1)	1	
CARBON			
CERAMIC			
VITON, 316SS	V(M2)	3	
CARBON			
CERAMIC			

MOTOR 56J'C'FACE - 3450 RPM					
VOLTAGE/ ENCLOSURE	H.P.	DIM. (In.)		ADD TO ...	
		E	F	MODEL	PCN
115-230/1/60 TEFC	.3	9.6	8.80	-A.3	A
	.5	9.6		-A.5	B
	.75	11.0		-C.75	C
	1.0	11.8		-C.10	D
	1.5	12.7		-C1.5	E
	2.0	12.7		-C2.0	F
208-220-440/ 3/60 Consult factory for 50 Hz.	.5	11.0	6.80	-D.5	H
	.75	11.7		-D.75	J
	1.0	12.3		-D1.0	K
	1.5	14.1		-D1.5	L
	2.0	14.1		-D2.0	M

**LONG COUPLED KIT INCLUDES:**

Plastic bearing pedestal frame w/titanium shaft, fiberglass reinforced channel (18" x 8" x 2-1/4), flexible coupling & guard, stainless fasteners.

**OPTIONAL**

MODEL	FOR MOTOR FRAME	FOR H.P.	PRICE CODE NO.
LCK-6	56	.3 or 1	42-0207A
LCK-7	143T & 145T	1.5 & up	42-0208A
Motor mounting & alignment			42-0204

DESCRIPTION	ADD SUFFIX TO MODEL	USE SEPARATE
Motor mounting pump w/Titanium shaft adapter.	-T	44-1930

F. O. B. Northbrook, Illinois

For pneumatic or hydraulic drive, 'Dri-Stop' pump protector, motor starter, etc. - consult bulletin



**SERFILCO, LTD.**

1777 Shermer Rd. 708-559-1777  
 Northbrook, IL 60062-5360 U.S.A. 800-323-5431  
 FAX: 708-559-1995

DISTRIBUTED BY

Printed in U.S.A.