



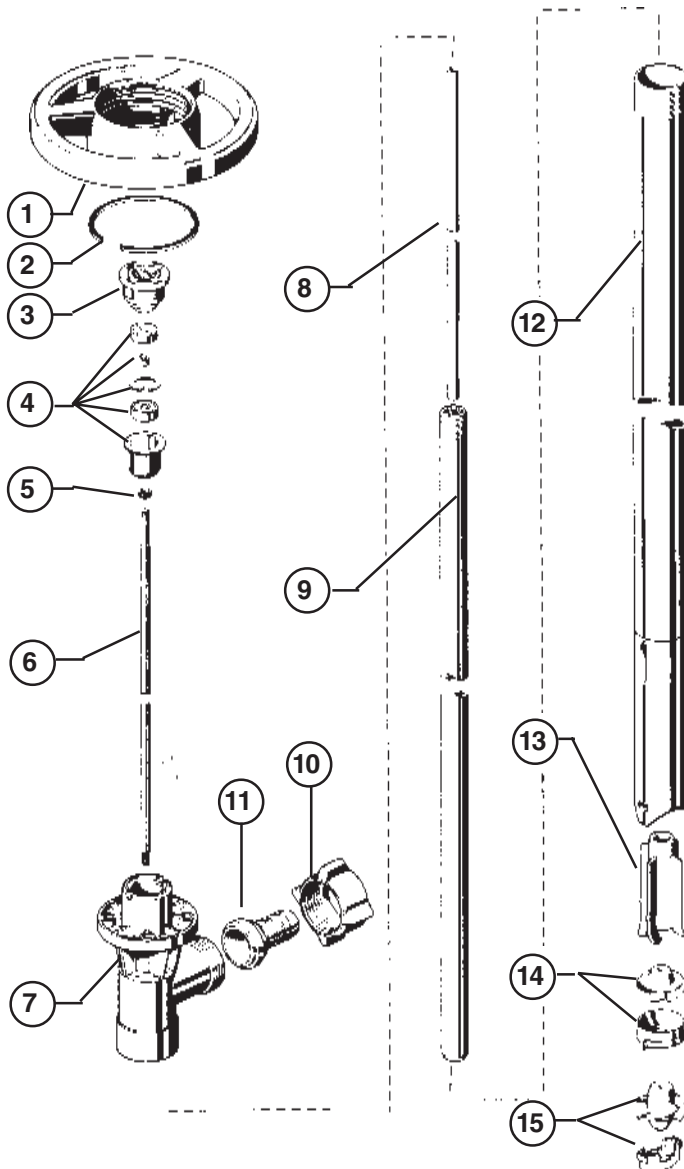
DRUM PUMP, POLYPROPYLENE SEAL-LESS

PARTS LIST
P-1025 A
FEB. 1992

MODELS	PRICE CODE NOS.
PP-8339-3/4	55-7013
PP-8347-3/4	55-7014

Refer to Operation and Service Guide 0-175

Refer to Master Price List F-800



ITEM	DESCRIPTION	PART NO.
1	Hand wheel, ABS	55-1842
2	Snap ring, carbon steel	55-1508
*3	Coupling assembly, nylon	55-7044
*4	Bearing unit, 316SS	55-7045
5	Seal, Viton [^]	55-7081
6	Drive shaft, Hastelloy [^] C	55-7073 - 39" 55-7074 - 47"
7	Outrun piece, polypropylene	55-7051
8	Guide bushing, TFE	55-7053 - 39" 55-1518 - 47"
9	Inner tube, polypropylene	55-7076 - 39" 55-7077 - 47"
10	Wing nut, polypropylene	55-6106
11	Hose connector, polypropylene	55-6051 - 3/4" (standard) 55-6081 - 1-1/4" 55-6082 - 1"
12	Outer tube, polypropylene	55-7079 - 39" 55-7080 - 47"
13	Bearing star Polypropylene & carbon	55-7082
14	Rotor: for high flow Polypropylene Rotor baffle Polypropylene	55-7068 55-7071
15	Impeller: for high head - standard Polypropylene Impeller wear ring Polypropylene	55-7069 55-7070
16	Pump repair tool (not shown)	55-7108

* Not available as individual parts

Registered Trademarks:
Viton - DuPont; Hastelloy - Haynes, International

F.O.B. Northbrook, Illinois

Terms: Net 30 Days

Minimum order \$25.00

SERFILCO[®], LTD.

2900 MacArthur Blvd. 847-509-2900
Northbrook, IL 60062-2005 U.S.A. 800-323-5431
e-mail: sales@serfilco.com FAX: 847-559-1995
www.serfilco.com

WESTERN
310-532-0801
FAX: 310-532-0866