

©2017 Serfilco Ltd. All right reserved.

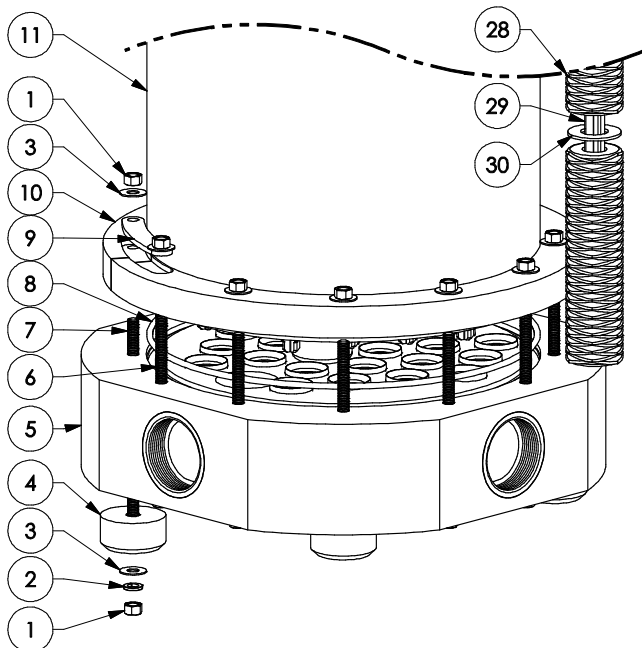
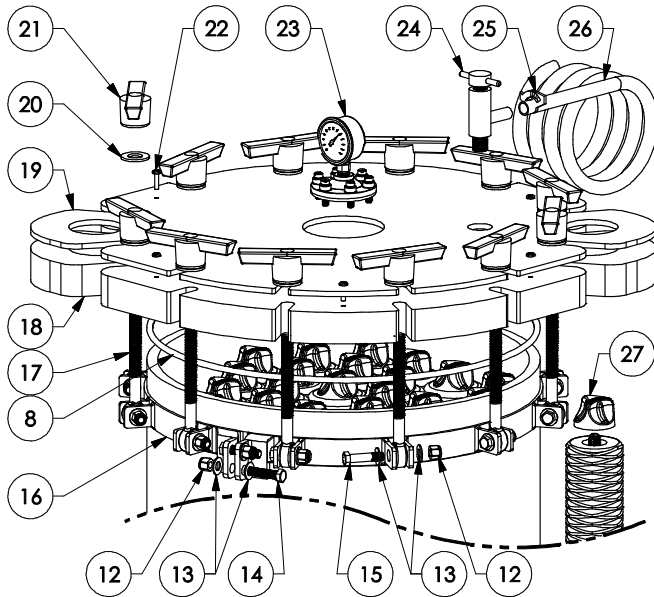
**SERFILCO**®

# Series 'HF' Cartridge | Filter Chambers

2900 MacArthur Blvd. Northbrook, IL. USA 60062 WWW.SERFILCO.COM (800) 323-5431

**PARTS LIST**  
P-0867\_C  
10/05/17  
Page 1 of 1

Size	PVC		CPVC	
	Model	No	Model	No
20"	PL520(2)SH-3-G3A	78-1662	CL520(2)SH-3-G3A	78-1662-C
30"	PL780(2)SH-3-G3A	78-1663	CL780(2)SH-3-G3A	78-1663-C
40"	PL1040(2)SH-3-G3A	78-1664	CL1040(2)SH-3-G3A	78-1664-C
50"	PL1300(2)SH-3-G3A	78-1665	CL1300(2)SH-3-G3A	78-1665-C



No	Description	Qty.	PVC	CPVC
1	Nut hex head 1/2"-13 SS	24	11-0106	
2	Lock washer 1/2" SS	12	11-0343	
3	Washer 1/2" SS	24	11-0124	
4	Foot ø3" PVC	4	88-3421-P	
5	Base	1	88-3424-P	88-3424
6	Stud 1/2" 13x9" SS	8	77-0790	
7	Stud 1/2" 13x10" SS	4	77-1742	
8	"O" ring	EPDM FKM	22-0890 22-0890-V	
9	Latch	SS	88-3394	
10	Base Bracket	PVC	88-3387-P	
11	Shell	20" 30" 40" 50"	88-3405-2P 88-3405-3P 88-3405-4P 88-3405-5P	88-3405-2 88-3405-3 88-3405-4 88-3405-5
12	Nut (NYLOCK) 3/8"-16 SS	14	11-0519	
13	Washer 3/8" SS	28	11-0126	
14	Bolt 3/8-16x1 3/4" SS	2	11-0374	
15	Bolt 3/8"-16x1 5/8" SS	12	11-0444-1	
16	Bracket swing bolt	SS	88-3393	
17	Swing bolt 1/2"-13x5 1/2" SS	12	11-0474-1	
18	Cover		88-3386-P	88-3386
19	Support plate	SS	88-3385	
20	Heavy Washer 1/2" SS	12	11-0619-1	
21	Tee handle	PP	11-0266	
22	Screw slotted 10-24x3/4" SS	6	11-0623	
23	Gauge assembly 60 PSI	1	99-0732	
24	Vent Valve	CPVC	33-0051	
25	Hose Clamp		22-0911	
26	Tube ø1/2"x8' Vinyl	1	22-0444	
27	Hold down Cap	PP	77-1590-PP	
28	Filter media see bulletin		M-109	
29	Cartridge X-post*	20" PP 30" 40" 50"	88-1602-PP 88-1603-PP 88-1604-PP 88-1605-PP	
30	Cartridge Spacer	EPDM FKM	22-0218 22-0204	
*	X-Post manufactured before 8/2004	20" 30" 40" 50"	77-1233-PP 77-1234-PP 77-1235-PP 77-1236-PP	
	Compression top seat spring	PP	77-0844	

Product Bulletin:	C-112
Operation and Service Guide:	O-0888