

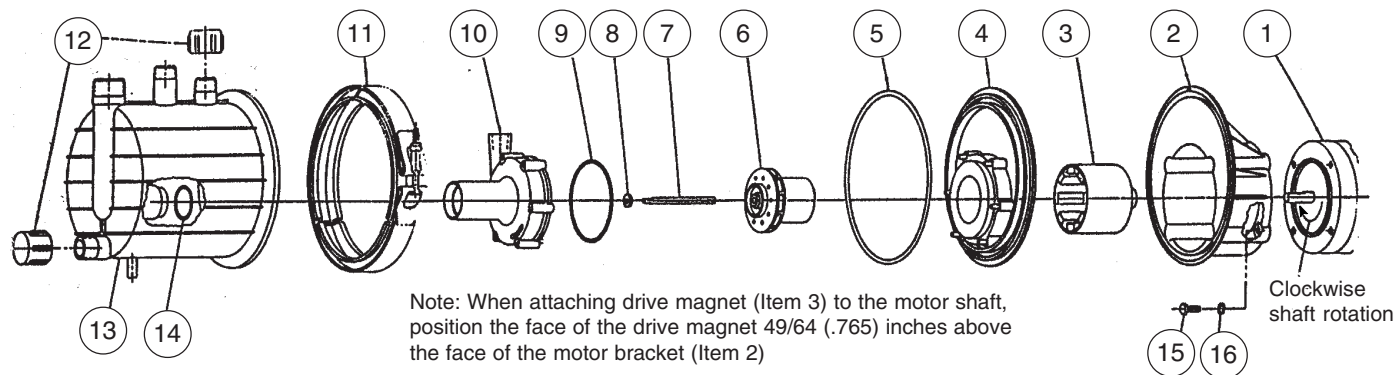


# SERIES 'D' SELF-PRIMING MAGNETIC-COUPLED PUMP & MOTOR

PARTS LIST  
P-815B  
FEB. 1998

MODELS	PRICE CODE NOS.	MODELS	PRICE CODE NOS.
1½ x 1 SMPGR-C.75	44-3350	1½ x 1 SMPGR-D.75	44-3350C
1½ x 1 SMKGC-C.75	44-3351	1½ x 1 SMKGC-D75	44-3351C

Refer to Bulletin P-504, Operation and Service Guide O-190 and Master Price List F-800.



Note: When attaching drive magnet (Item 3) to the motor shaft, position the face of the drive magnet 49/64 (.765) inches above the face of the motor bracket (Item 2)

ITEM	DESCRIPTION	PART NUMBERS
1	Motor single phase -¾ HP, 115/208-230V/50-60 - TEFC three phase -¾ HP, 208-230/460V/50-60 - TEFC	44-0583-1 44-0583-C
2	Motor connecting bracket (Ryton)	44-7551
3	Drive magnet assembly	44-0508
4	Rear housing w/ ceramic washer - polypropylene - PVDF/carbon	44-7552 44-7553
5	'O'-ring, 9½" I.D. - Viton	44-7554
6	Impeller w/carbon bushing - polypropylene - PVDF/carbon	44-0556 44-1223
7	Shaft - ceramic	44-0587
8	Thrust washer - ceramic	44-0588
9	'O'-ring, 4½" I.D. - Viton	44-7555
10	Front housing - polypropylene - PVDF/carbon	44-7556 44-7557
11	V-retainer coupling - stainless steel	44-7558
12	Drain and filler cap - polypropylene - PVDF/carbon	44-7559 44-7560
13	Housing container - polypropylene - PVDF/carbon	44-7561 44-7562
14	'O'-ring, 1¾" I.D. - Viton	44-7563
15	Hex head screw 3/8"-16 x 3/4" long - stainless steel	11-0371
16	Washer, 3/8" - stainless steel	11-0126
17	Motor feet (not shown) - vinyl coated steel	66-0829-A

		MPGR	MKGC
18	Pump only, complete without motor (not shown)	44-3354	44-3355
19	Wet end assembly (not shown) Includes Items # 4, 5, 6, 7, 8, 9, 10, 11, 12, 13, 14	44-3356	44-3357

F.O.B. Northbrook, Illinois

Terms: Net 30 Days

Minimum order \$25.00

## SERFILCO® LTD.

2900 MacArthur Blvd. 847-509-2900  
Northbrook, IL 60062-2005 U.S.A. 800-323-5431  
e-mail: sales@serfilco.com FAX: 847-559-1995  
www.serfilco.com

**WESTERN**  
310-532-0801  
FAX: 310-532-0866