

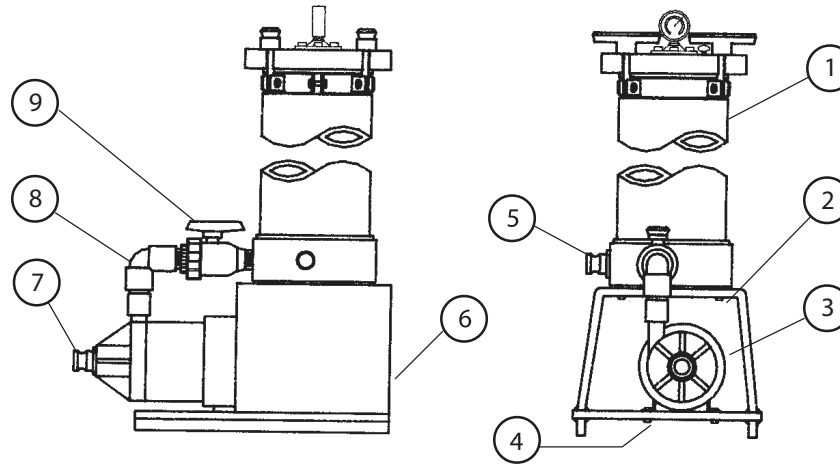


# SPACE-SAVER® FILTRATION SYSTEMS

## Series 'D' Seal-less Pump Series 'S' Filter Chamber

PARTS LIST  
P-0750L  
MARCH 2008

Refer to Bulletin F-204,  
Operation and Service  
Guide O-570.  
Refer to Parts List P-751  
for Spacesaver Systems  
with mechanical  
seal pumps.



ITEM	DESCRIPTION	PART NUMBERS	
		SERIES 'D' PUMP	
		1" x ¾"	1½" x 1"
1	Filter chamber - See Parts List Number	P-4425('S')	P-9700('L')
2	Hex head bolt, ½-13 x 1½" long - plated steel (4 req'd)	11-0588	
3	Pump & motor assembly - See Parts List Number	P-4100-1	P-800-1
4	Hex head bolt, ¼-20x1" long - stainless steel (4 req'd) Flat washer, ¼ - stainless steel (4 req'd) Whizz nut, ¼-20 - stainless steel (4 req'd)	11-0415 11-0121 11-0103	
5	Quick-connect hose adapter - polypropylene 1" NPT to hose 1¼" NPT to hose	33-1286 -	- 33-2276
6	Hood base -PVC	77-9944	
7	Quick-connect hose adapter - polypropylene 1" NPT to hose 1¼" NPT to hose	33-1286 -	- 33-1284
8	Discharge pipe assembly - CPVC	33-6064	33-6065
9	Single union ball valve - CPVC	33-0588	33-0589
<b>The following are not shown</b>			
10	Suction hose, 10 ft. long - vinyl 1" wire reinforced 1½" wire reinforced	22-0621 -	- 22-0855
11	Discharge hose, 10 ft. long - vinyl 1" wire reinforced 1¼" wire reinforced	22-0621 -	- 22-0622
12	Quick-connect hose adapter 1" hose (2 req'd) 1¼" hose 1½" hose	33-1574 - -	- 33-2275 33-1329
13	Portable adapter kit 2 swivel & 2 fixed casters & fastener	44-0042-2	
14	Hose clamps 1" (2 req'd) 1¼" 1½"	22-0505 - -	- 22-0503 22-0503
15	Pump primer & strainer kit Includes: Hand pump primer Suction strainer, 1" hose	99-0177 99-0161 99-0741	- - 99-0743

F.O.B. Northbrook, Illinois

Terms: Net 30 Days



# SERFILCO®

2900 MacArthur Blvd. (800) 323-5431  
Northbrook, IL. 60062-2005 U.S.A. (847) 509-2900  
email: sales@serfilco.com Fax: (847) 559-1141  
www.serfilco.com