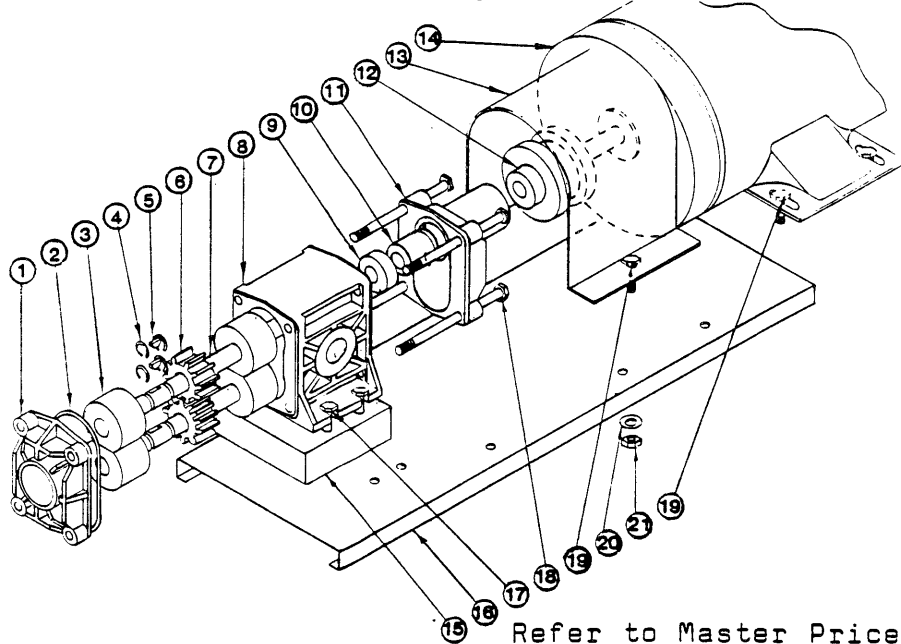




PLASTIC GEAR PUMP

MODEL PRICE CODE NO.
3/8 RYSS 44-4250
3/8 RYHC 44-4251

*Onsite
4/29/86*

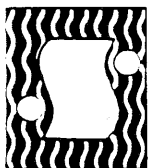


ITEM	DESCRIPTION	PART NO.
1	Rear cover, Ryton	44-4060
2	"O" ring, Teflon (2 req'd)	44-4061
3	Bearing, carbon	44-4062
4	Retainer ring, (4 req'd)	44-4063
5	Woodruff key	44-4064
6	Gear, Ryton, (4 req'd)	44-4065
7	Drive shaft, 316 Stn. Stl. " " Hastelloy C	44-4066 44-4081
8	Body, Ryton	44-4067
9	Washer, 1/4" Carbon	44-4068
10	Seal, 316 stn. stl. " Hastelloy C	44-4069 44-4080
11	Front cover, Ryton	44-4070
12	Flexible coupling	99-0214
13	Coupling guard	77-0232
14	Motor, TEFC 115-230/1/60, 1725 RPM .25 HP " " 115-230/1/60, " " .33 " " " 115-230/1/60, " " .50 "	44-4082 44-1967 44-0229
15	Shim, PVC, 3x3-3/4x1" thick	44-4071
16	Base, 19x9-3/8x1-1/4" vinyl coated steel	77-0113
17	Hex bolt, stn. stl. 1/4-20x1-1/2 long (4 req'd)	11-0332
18	Hex bolt, " " 1/4-20x4" long (4 req'd)	11-0426
19	Hex bolt, " " 1/4" size, (6 req'd)	11-0419
20	Washer, stn. stl. 1/4" " (10 req'd)	11-0121
21	Hex nut, stn. stl. 1/4-20 (14 req'd)	11-0103
22	Pump only-Ryton housing & gear, carbon bearing and Teflon "O" ring Mechanical seal & shaft, 316 stn. stl. " " " " Hastelloy C	44-4250 44-4251

F.O.B. Glenview, Illinois Terms: Net 30 Days

Minimum Order \$25.00

DISTRIBUTED BY



SERFILCO, LTD.

1234 Depot St.
Glenview, IL 60025

312/998-9300
Telex: 253699