

PARTS LIST

FOR

Serfilco

FILTERS

ADMIRAL
SERIES

P-400A
Supersedes P-400

DESCRIPTION	PART NO.	PRICE.
1 1/4-20 Wing Nut SS	11-101	.35
2 Motor Mtg. Bolt SS	11-126	.60
3 "O" Ring Seal	22-301	.35
4 Cover Assembly - SLU	88-301	7.50
" " - SPVC	88-304	9.00
5 Hose Adaptor	33-128	.40
6 1/4-20 Hex Nut SS	11-103	.45
7 Shell-Base Assem. SLU20	88-212	62.00
" " " SLU30	88-213	81.00
Shell Only SPVC20	88-122	38.00
" " SPVC30	88-123	57.00
Base SFVC	88-208	24.00
8 Filter Inlet Hose-Vinyl	44-403	.80
9 Filter Disch. Hose 10' Vinyl	44-404	4.00
10 Hose Clamp	22-502	.40
11 Tie Rod SS Model 20	77-410	2.60
" " " " 30	77-409	3.20
" " " Carp 20 Model 20	77-416	9.60
" " " " 30 " 30	77-415	10.20
12 V-Post (Coated) Model 20	77-201	4.95
" " " " 30	77-202	7.45

SEE OPPOSITE PAGE
FOR CARPENTER "20" OR PVDC PUMP PARTS

16 Mounting Plate (Coated)	77-110	19.00
17 Rubber Tube Spacer*	22-202	.20
18 Bottom Tube Guide SLU	88-404	.65
" " " SPVC	88-409	.65
19 Depth Tube - See Operation Instructions.		

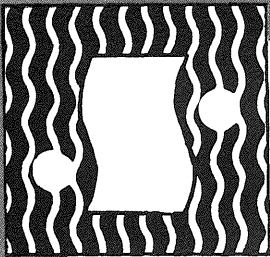
* Use only when tubes are taken out for cleaning and replaced. Place between tubes. 1 in LU20, 2 in LU30.

Carpenter 20 Pump 1000 VE

13 Pump-Motor Assembly	44-301	335.60
14 Pump Assembly	44-303	285.80
14A Steady Bearing Teflon	44-328	4.50
14B Pump Housing Gasket Teflon	44-324	10.50
14C Pump Housing Screw	44-321	1.70
14D Impeller Shaft	44-330	40.00
14E Impeller	44-325	30.00
14F Suction Body	44-336	64.50
14G Pump Housing	44-326	105.00
15 Motor, Cord & Switch	44-334	49.80

S.P.V.D.C. Pump Model 3/4 SPVDC-A

13 Pump & Motor Assembly	44-765	344.00
14 Pump Assembly	44-766	255.00
14A Steady Bearing (Extended shaft only)	44-767	6.50
14C Casing Bolt	44-774	4.50 ea.
14D Impeller Shaft	44-770	31.25
14E Impeller & Shaft Sleeve	44-771	67.50
14F Suction Body	44-772	47.00
14G Pump Housing	44-773	124.00
15 Motor, Cord & Switch	66-403	89.00



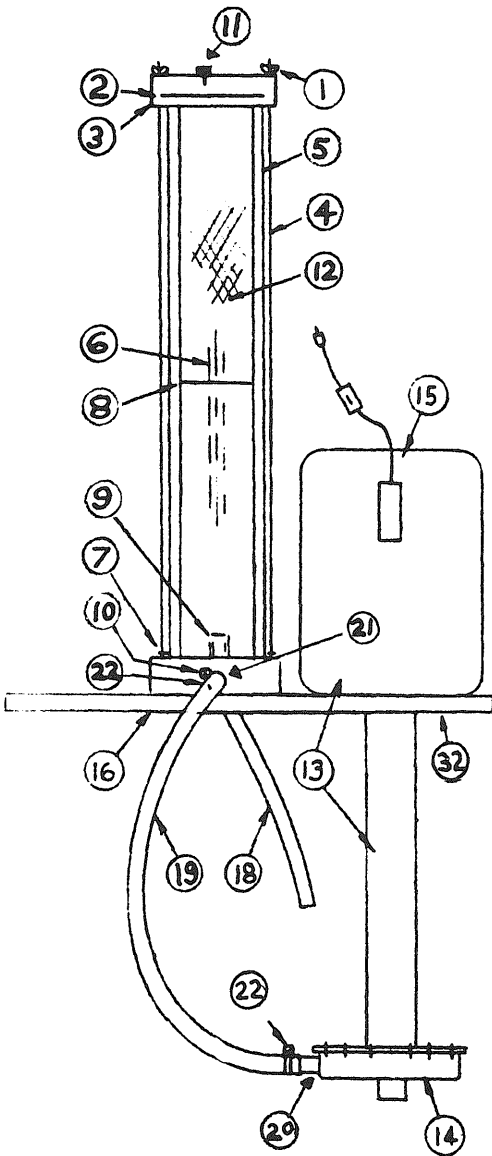
P-400-B
Supercedes P-400-A

PARTS LIST

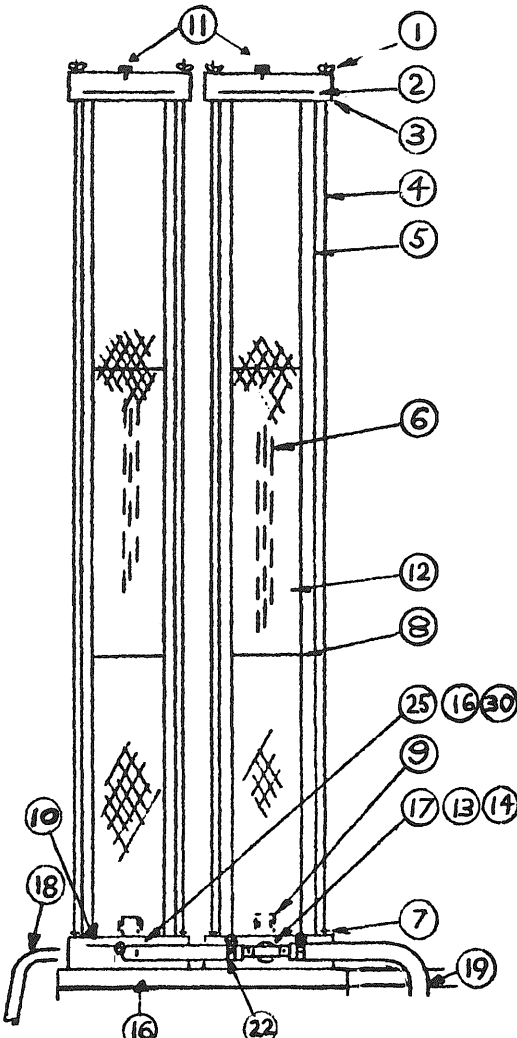
ADMIRAL

SERFILCO FILTERS

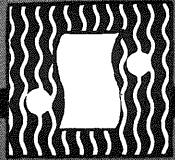
- Model S 10 1/2 PVDCV
- Model S 20 3/4 PVDCV
- Model S 30 3/4 PVDCV
- Model S 30X2 3/4 PVDCV
- Model S 10 1/2 CC20V
- Model S 20 1/2 CC20V
- Model S 30 1/2 CC20V
- Model S 30X2 3/4 CC20V



S 10 1/2 CC20V
 S 20 3/4 CC20V
 S 30 1/2 CC20V



S 30X2 3/4 PVDCV
 S 30X2 3/4 CC20V



SERFILCO

DIVISION OF SERVICE FILTRATION CORPORATION

7433 NORTH HARLEM AVENUE CHICAGO, ILLINOIS 60648
 Telephone: Area code 312 647-9568 763-8070

SERFILCO FILTRATION SYSTEMS
 Model S_10 1/2 PVDCV Model S_30 3/4 PVDCV
 Model S_20 3/4 PVDCV Model S_30X2 3/4 PVDCV

<u>FILTER CHAMBER</u>	<u>PART NO.</u>	<u>PRICE</u>
See attached Parts List, with exception of		
4 - Tie Rods SS 10"	77-408	\$ 2.20
Tie Rods SS 20"	77-410	2.60
Tie Rods SS 30"	77-409	3.20
Tie Rods Carpenter 20 10"	77-417	6.00
Tie Rods Carpenter 20 20"	77-416	9.60
Tie Rods Carpenter 20 30"	77-415	10.20

BASE, PIPING & HOSE for 10 Units

20 - Hose Adapter Straight 1/2" PP	33-128	\$.40
19 - Filter Inlet Hose - Vinyl 5/8"		
18 - Filter Discharge Hose - Vinyl 5/8" x 10"	22-404	6.00
22 - Hose Clamp SS	22-502	.40
21 - Hose Adapter Elbow (long) 1/2" PP	33-127	1.00
7 - 1/4-20 SS Hex Nut	11-103	.45
16 - Base Assembly (Vinyl Coated) 7x12	77-119	19.00

BASE, PIPING & HOSE for 20 and 30 Units

20 - Pump Outlet Hose Adapter St. 3/4"	33-240	\$.60
- Nipple 1/2" x 2" PP	33-140	.98
21 - Filter Inlet Hose Adap. Red. Elbow 1/2 x 3/4	33-245	.60
18 - Disch. Hose 3/4" 10' Vinyl	22-411	6.00
19 - Pump Outlet Hose 3/4" Vinyl		
22 - Hose Clamp SS	22-505	.40
7 - Base Mtg. Nut 1/4-20 SS	11-103	.45
16 - Base Assembly (Vinyl Coated) 7x15 1/2"	77-110A	19.00
21 - Filter Outlet Hose Adapter 1/2 x 3/4 Red. PP	33-138	.60

BASE, PIPING & HOSE for 30X2 Units

20 - Pump Outlet Hose Adapter St. 3/4"	33-240	\$.60
17 - Hose Adap. Tee 3/4x3/4x1/2 NPT PP	33-165	.75
13 - Nipple 1/2" x 2" PP	33-140	.98
25 - Filter Inlet Hose Adap. Red. Elbow 1/2 x 3/4	33-245	.60
16 - Nipple 1/2" x 2-1/2" PP	33-136	.25
18 - Disch. Hose 3/4" 10' Vinyl	22-411	6.00
19 - Pump Outlet Hose 3/4" Vinyl		
22 - Hose Clamp SS	22-505	.40
7 - Base Mtg. Nut 1/4-20 SS	11-103	.45
16 - Base Assembly (Vinyl Coated) 7x18 1/2"	77-110B	25.00
17 - Filter Outlet Hose Adapter Elbow 1/2 x 3/4 Red. PP	33-138	.60

PUMP & MOTOR for S_10 1/2 PVDCV

13 - See Parts List for PVDC Sump Pump Size 1"		
Motor Only - 110/1/60, TENV, 1/6 HP 3450 RPM	44-833	\$ 68.00
See Motor Price Sheet for other voltages or enclosures.		

PUMP & MOTOR for S_20, 30 & 30X 2 3/4 PVDCV UNITS

See Parts List for PVDC Sump Pump Size 2"		
Motor Only - 110/1/60, TENV, 1/2 HP 3450 RPM	66-403	\$ 89.00
See Motor Price Sheet for other voltages or enclosures.		

SERFILCO FILTRATION SYSTEMS
 Model S_10 1/2 CC20V Model S_30 1/2 CC20V
 Model S_20 1/2 CC20V Model S_30X2 3/4 CC20V

<u>FILTER CHAMBER</u>	<u>PART NO.</u>	<u>PRICE</u>
See attached Parts List, with exception of		
4 - Tie Rods SS 10"	77-408	\$ 2.20
Tie Rods SS 20"	77-410	2.60
Tie Rods SS 30"	77-409	3.20
Tie Rods Carpenter 20 10"	77-417	6.00
Tie Rods Carpenter 20 20"	77-416	9.60
Tie Rods Carpenter 20 30"	77-415	10.20

BASE, PIPING & HOSE for 10, 20 & 30 Units

21 - Hose Adapter Straight 1/2" PP	33-128	\$.40
19 - Filter Inlet Hose - Vinyl 5/8"		
18 - Filter Discharge Hose - Vinyl 5/8" x 10"	22-404	6.00
22 - Hose Clamp SS	22-502	.40
7 - 1/4-20 SS Hex Nut	11-103	.45
16 - Base Assembly (Vinyl Coated) 7x15 1/2"	77-110A	19.00
3 - Pump-Motor Alignment Plate	77-110AA	29.00

BASE, PIPING & HOSE for 30X2 Units

17 - Hose Adap. Tee 3/4x3/4x1/2 NPT PP	33-165	\$.75
13 - Nipple 1/2" x 2" PP	33-140	.98
25 - Filter Inlet Hose Adap. Red. Elbow 1/2 x 3/4	33-245	.60
16 - Nipple 1/2" x 2-1/2" PP	33-136	.25
18 - Disch. Hose 3/4" 10' Vinyl	22-411	6.00
19 - Pump Outlet Hose 3/4" Vinyl		
22 - Hose Clamp SS	22-505	.40
7 - Base Mtg. Nut 1/4-20 SS	11-103	.45
16 - Base Assembly (Vinyl Coated) 7x18 1/2"	77-110B	25.00
3 - Pump-Motor Alignment Plate	77-110AA	29.00
17 - Filter Outlet Hose Adapter 1/2 x 3/4 Red. PP	33-138	.60

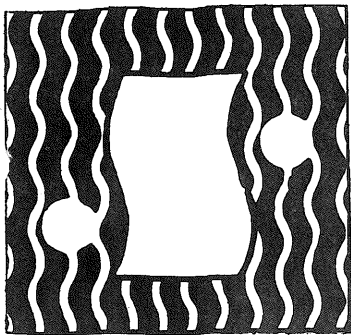
PUMP & MOTOR

13 - Pump-Motor Assembly	44-301	\$ 335.60
15 - Motor, Cord & Switch 110/1/60 TENV	66-403	89.00
14 - Pump Assembly	44-303	285.80
Steady Bearing Teflon*	44-328	4.50
Pump Housing Gasket Teflon	44-324	10.50
Pump Housing Screw	44-321	1.70
Impeller Shaft	44-330	40.00
Impeller	44-325	30.00
Suction Body	44-336	64.50
Pump Housing	44-326	105.00

* Recommended replacement & repair parts.

Include model number when ordering parts.

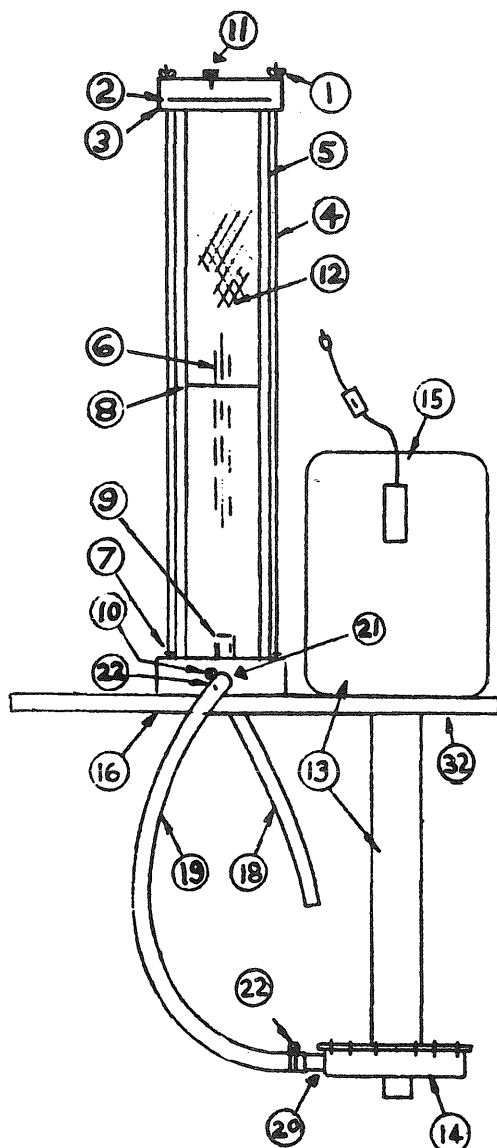
Prices subject to change without notice.
 F.O.B. Chicago, Illinois, 1-10, net 30.
 Printed in U.S.A.



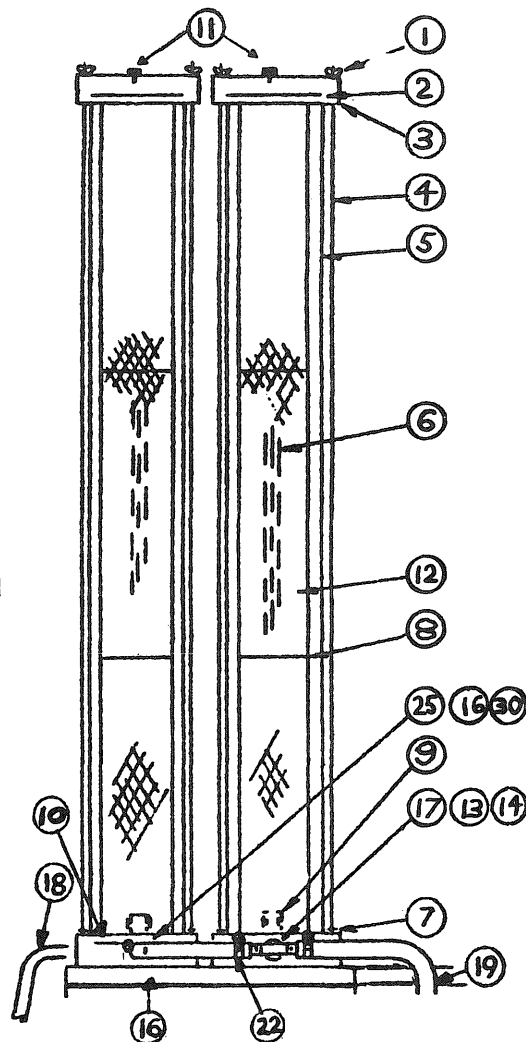
PARTS LIST

For
ADMIRAL
Models-

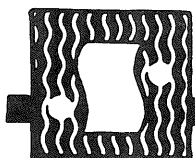
- S 10 1/2 CPVCV
- S 20 3/4 CPVCV
- S 30 3/4 CPVCV
- S 30X2 3/4 CPVCV
- S 10 1/2 CC20V
- S 20 1/2 CC20V
- S 30 1/2 CC20V
- S 30X2 3/4 CC20V



- S 10 1/2 CC20V
- S 20 1/2 CC20V
- S 30 1/2 CC20V



- S 30X2 3/4 CPVCV
- S 30X2 3/4 CC20V



SERFILCO

DIVISION OF SERVICE FILTRATION CORPORATION

7433 North Harlem Avenue • Chicago, Illinois 60648
Telephone—Area Code 312 647-9568 763-8070

SERFILCO FILTRATION SYSTEMS

Model S 10 1/2 CPVC Model S 30 3/4 CPVC
 Model S 20 3/4 CPVC Model S 30X2 3/4 CPVC

FILTER CHAMBER	PART NO.	PRICE
See attached Parts List, with exception of		
4 - Tie Rods SS 10"	77-408	\$ 2.20
Tie Rods SS 20"	77-410	2.60
Tie Rods SS 30"	77-409	3.20
Tie Rods Carpenter 20 10"	77-417	6.00
Tie Rods Carpenter 20 20"	77-416	9.60
Tie Rods Carpenter 20 30"	77-415	10.20

BASE, PIPING & HOSE for 10 Units

20 - Hose Adapter Straight 1/2" PP	33-128	\$.40
19 - Filter Inlet Hose - Vinyl Reinf. 5/8		
18 - Filter Discharge Hose - Vinyl Reinf. 5/8" x 10'	22-429	\$ 18.30
22 - Hose Clamp SS	22-502	.40
21 - Hose Adapter Elbow (long) 1/2" PP	33-127	1.00
7 - 1/4-20 SS Hex Nut	11-103	.45
16 - Base Assembly (Vinyl Coated) 7x12	77-119	19.00

BASE, PIPING & HOSE for 20 and 30 Units

20 - Pump Outlet Hose Adapter St. 3/4"	33-240	\$.60
- Nipple 1/2" x 2" PP	33-140	1.35
21 - Filter Inlet Hose Adap. Red. Elbow 1/2 x 3/4	33-245	.60
18 - Disch. Hose 3/4" 10' Vinyl Reinf.	22-432	21.50
19 - Pump Outlet Hose 3/4" Vinyl Reinf.		
22 - Hose Clamp SS	22-505	.40
7 - Base Mtg. Nut 1/4-20 SS	11-103	.45
16 - Base Assembly (Vinyl Coated) 7x15 1/2"	77-110A	19.00
21 - Filter Outlet Hose Adapter 1/2 x 3/4 Red. PP	33-138	.60

BASE, PIPING & HOSE for 30X2 Units

20 - Pump Outlet Hose Adapter St. 3/4"	33-240	\$.60
17 - Hose Adap. Tee 3/4x3/4x 1/2 NPT PP	33-165	.75
13 - Nipple 1/2" x 2" PP	33-140	1.35
25 - Filter Inlet Hose Adap. Red. Elbow 1/2 x 3/4	33-245	.60
16 - Nipple 1/2" x 2-1/2" PP	33-136	1.35
18 - Disch. Hose 3/4" 10' Vinyl Reinf.	22-432	21.50
19 - Pump Outlet Hose 3/4" Vinyl		
22 - Hose Clamp SS	22-505	.40
7 - Base Mtg. Nut 1/4-20 SS	11-103	.45
16 - Base Assembly (Vinyl Coated) 7x18 1/2"	77-110B	25.00
17 - Filter Outlet Hose Adapter Elbow 1/2 x 3/4 Red. PP	33-138	.60

PUMP & MOTOR for S 10 1/2 CPVC

13 - See Parts List for CPVC Sump Pump Size 1"		
Motor Only - 110/1/60, TENV, 1/6 HP 3450 RPM	44-826	\$ 68.00
See Motor Price Sheet for other voltages or enclosures.		

PUMP & MOTOR for S 20, 30 & 30X 2 3/4 CPVC UNITS

See Parts List for CPVC Sump Pump Size 2"		
Motor Only - 110/1/60, TENV, 1/2 HP 3450 RPM	66-419	\$ 89.00
See Motor Price Sheet for other voltages or enclosures.		

SERFILCO FILTRATION SYSTEMS

Model S 10 1/2 CC20V Model S 30 1/2 CC20V
 Model S 20 1/2 CC20V Model S 30X2 3/4 CC20V

FILTER CHAMBER	PART NO.	PRICE
See attached Parts List, with exception of		
4 - Tie Rods SS 10"	77-408	\$ 2.20
Tie Rods SS 20"	77-410	2.60
Tie Rods SS 30"	77-409	3.20
Tie Rods Carpenter 20 10"	77-417	6.00
Tie Rods Carpenter 20 20"	77-416	9.60
Tie Rods Carpenter 20 30"	77-415	10.20

BASE, PIPING & HOSE for 10, 20 & 30 Units

21 - Hose Adapter Straight 1/2" PP	33-128	\$.40
19 - Filter Inlet Hose - Vinyl Reinf. 5/8		
18 - Filter Discharge Hose - Vinyl Reinf. 5/8" x 10'	22-429	\$18.30
22 - Hose Clamp SS	22-502	.40
7 - 1/4-20 SS Hex Nut	11-103	.45
16 - Base Assembly (Vinyl Coated) 7x15 1/2"	77-110A	19.00
3 - Pump-Motor Alignment Plate	77-110AA	29.00

BASE, PIPING & HOSE for 30X2 Units

17 - Hose Adap. Tee 3/4x3/4x 1/2 NPT PP	33-165	\$.75
13 - Nipple 1/2" x 2" PP	33-140	1.35
25 - Filter Inlet Hose Adap. Red. Elbow 1/2 x 3/4	33-245	.60
16 - Nipple 1/2" x 2-1/2" PP	33-136	1.35
18 - Disch. Hose 3/4" 10' Vinyl Reinf.	22-432	21.50
19 - Pump Outlet Hose 3/4" Vinyl Reinf.		
22 - Hose Clamp SS	22-505	.40
7 - Base Mtg. Nut 1/4-20 SS	11-103	.45
16 - Base Assembly (Vinyl Coated) 7x18 1/2"	77-110B	25.00
3 - Pump-Motor Alignment Plate	77-110AA	29.00
17 - Filter Outlet Hose Adapter 1/2 x 3/4 Red. PP	33-138	.60

PUMP & MOTOR

13 - Pump-Motor Assembly	44-301	\$335.60
15 - Motor, Cord & Switch 110/1/60 TENV	66-419	89.00
14 - Pump Assembly	44-303	285.80
Steady Bearing Teflon*	44-328	4.50
Pump Housing Gasket Teflon	44-324	10.50
Pump Housing Screw	44-321	1.70
Impeller Shaft	44-330	40.00
Impeller	44-325	30.00
Suction Body	44-336	64.50
Pump Housing	44-326	105.00

* Recommended replacement & repair parts.

Include model number when ordering parts.

Minimum order - \$10.00.

Prices subject to change without notice.
 F.O.B. Chicago, Illinois, 1-10, net
 Printed in U.S.A.