

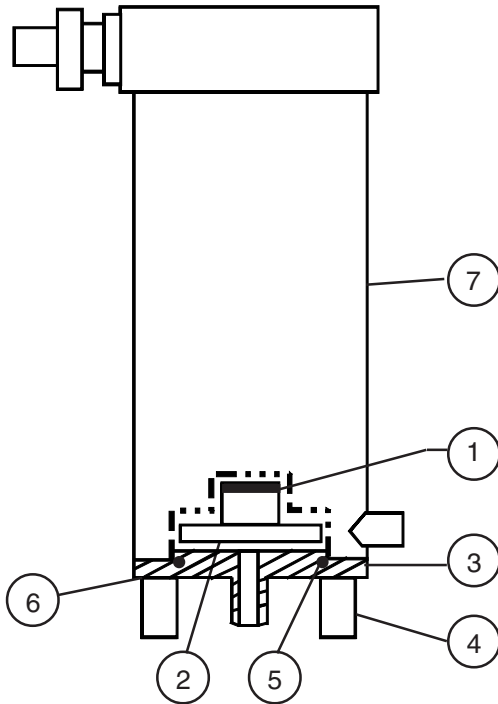


SERIES 'AS' SUBMERSIBLE SEAL-LESS PUMP

PARTS LIST
P-350B
JAN. 1997

| MODEL | PRICE CODE NO. |
|----------|----------------|
| PP3000AS | 44-0746 |

Refer to Bulletin P-503, Operation and Service Guide O-15 and Master Price List F-800.



| ITEM | DESCRIPTION | PART NO. |
|------|---|--------------------|
| 1 | Washer - Teflon | 44-0739 |
| 2 | Impeller, 60 Hz, 2-5/16" long | 44-1414A |
| 3 | Cover - polypropylene | 44-0710A |
| 4 | Pump support foot (4 req'd) | 44-0748 |
| 5 | Cover "O"-ring - EPDM (standard) - Viton (optional) | 44-0606 44-0726 |
| 6 | "O"-ring - EPDM (8 req'd) | 22-0580 |
| 7 | Motor & cable assembly w/drive magnet (sealed) 115V/1/60 | 66-0190 |

If motor fails, consult Application Engineering Department.

F.O.B. Northbrook, Illinois

Terms: Net 30 Days

Minimum order \$25.00



SERFILCO[®], LTD.

2900 MacArthur Blvd. 847-509-2900
Northbrook, IL 60062-2005 USA 800-323-5431
e-mail: Sales@serfilco.com FAX: 847-559-1995
www.serfilco.com

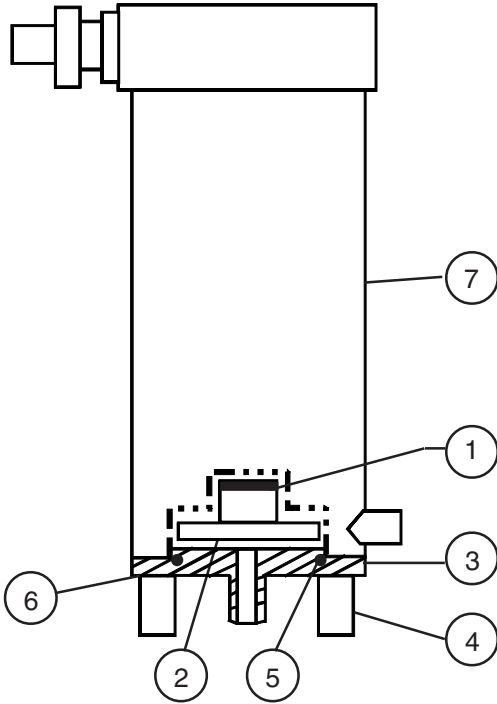
WESTERN
310-532-0801
FAX: 310-532-0866



SERIES 'AS' SUBMERSIBLE SEAL-LESS PUMP

PARTS LIST
PP-350B
JAN. 1997

| | |
|-----------------|-----------------------|
| MODEL | PRICE CODE NO. |
| PP3000AS | 44-0746 |



Refer to Bulletin PP-503, Operation and Service Guide PO-15 and Master Price List PF-800.

| ITEM | DESCRIPTION | PART NO. |
|------|---|--------------------|
| 1 | Washer - Teflon | 44-0739 |
| 2 | Impeller, 60 Hz, 2-5/16" long | 44-1414A |
| 3 | Cover - polypropylene | 44-0710A |
| 4 | Pump support foot (4 req'd) | 44-0748 |
| 5 | Cover "O"-ring - EPDM (standard) - Viton (optional) | 44-0606 44-0726 |
| 6 | "O"-ring - EPDM (8 req'd) | 22-0580 |
| 7 | Motor & cable assembly w/drive magnet (sealed) 115V/1/60 | 66-0190 |

If motor fails, consult Application Engineering Department.

Terms: Net 30 days

Minimum order: \$25.00

PACER PUMPS

Division of ASM Industries, Inc.

41 Industrial Circle 717-656-2161
Lancaster, PA 17601-5927 U.S.A. 800-233-3861
Email: pacer@success.net FAX: 717-656-0477

CENTRAL

● 1777 Shermer Road 847-559-1777
Northbrook, IL 60062 FAX: 847-559-1995

WESTERN

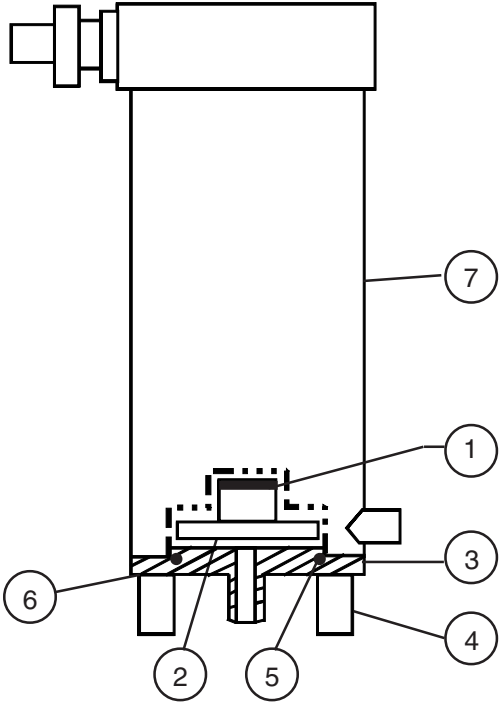
● 5005 S. Hampton Street 213-588-0801
Los Angeles, CA 90058 FAX: 213-588-6826



SERIES 'AS' SUBMERSIBLE SEAL-LESS PUMP

PARTS LIST
PFS-AS-130B
JAN. 1997

| | |
|-----------------|-----------------------|
| MODEL | PRICE CODE NO. |
| PP3000AS | 44-0746 |



Refer to Bulletin FSP-130 and Operation and Service Guide FSI-AS-130.

| ITEM | DESCRIPTION | PART NO. |
|------|---|--------------------|
| 1 | Washer - Teflon | 44-0739 |
| 2 | Impeller, 60 Hz, 2-5/16" long | 44-1414A |
| 3 | Cover - polypropylene | 44-0710A |
| 4 | Pump support foot (4 req'd) | 44-0748 |
| 5 | Cover "O"-ring - EPDM (standard) - Viton (optional) | 44-0606 44-0726 |
| 6 | "O"-ring - EPDM (8 req'd) | 22-0580 |
| 7 | Motor & cable assembly w/drive magnet (sealed) 115V/1/60 | 66-0190 |

If motor fails, consult Customer Service.

F.O.B. Northbrook, Illinois



Division of Service Filtration Corporation

P.O. BOX 11074 ● 6125-B AVENUE ● AMARILLO, TX 79111-0001 U.S.A.
806-335-2441 ● 800-432-0108 ● FAX: 806-335-3701