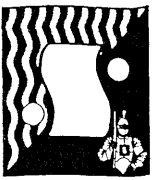
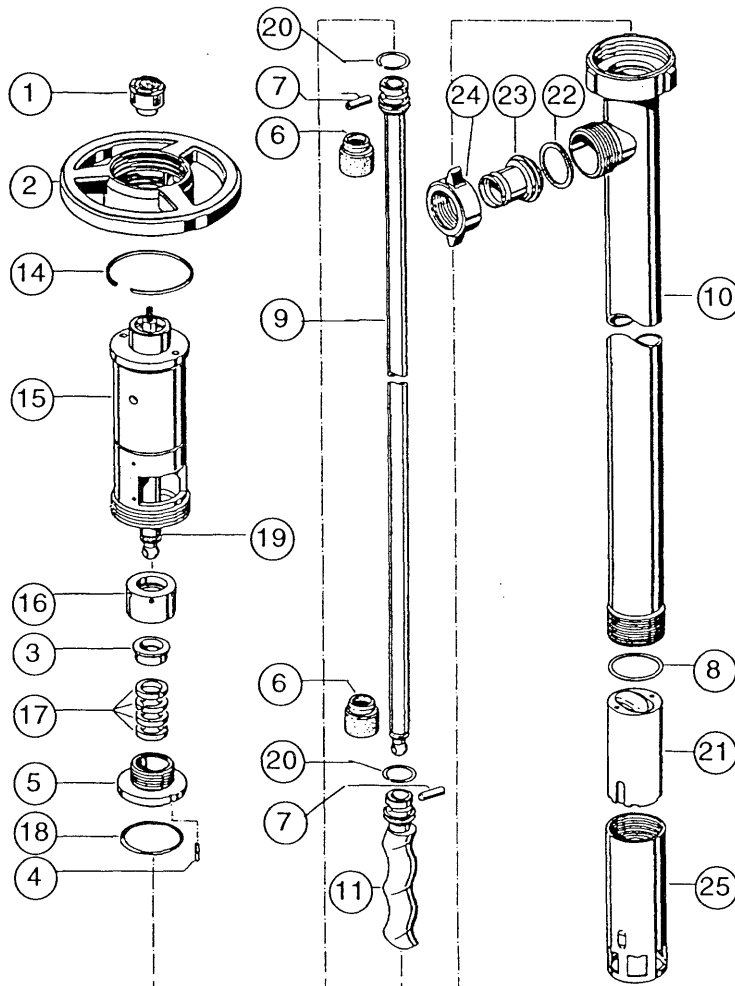


PROGRESSIVE CAVITY DRUM PUMP



MODEL	PRICE CODE NO.
SS600D-1¼	55-1035

Refer to Master Price List F-800



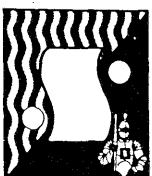
ITEM	DESCRIPTION	PART NO.
1	Coupling kit	55-2035
2	Hand wheel	52-1842
3	Packing sleeve	55-3083
4	Alignment pin	55-3096
5	Packing gland housing	55-3084
6	Bellows protection (2 req'd) - stainless steel	55-3097
7	Pin (2 req'd) - stainless steel	55-3089
8	Thrust collar	55-3099
9	Drive shaft - stainless steel	55-3092
10	Outer pump tube - stainless steel	55-3091
11*	Rotor - stainless steel	55-3082
14	Snap ring	55-1508
15	Speed reducer	55-3081
16	Packing nut	55-3095
17*	Packing - graphite TFE	55-3086
18*	"O"-ring - Viton	55-3085
19	Connecting shaft	55-3098
20	Clip ring (2 req'd)	55-3087
21*	Stator	55-3093
22*	Gasket, TFE	22-0745
23	Hose barb 1¼" - stainless steel	22-0746
24	Wing nut 1¼" - stainless steel	11-2052
25	Stator sleeve	55-3094

* Recommended spare parts.

F.O.B. Northbrook, Illinois

Terms: Net 30 Days

Minimum order \$25.00



SERFILCO® LTD.

1777 Shermer Road 847-559-1777
Northbrook, IL 60062-5360 U.S.A. 800-323-5431
Email: sales@serfilco.com FAX: 847-559-1995
Web: <http://www.serfilco.com>

WESTERN

13721 Alma Avenue 310-532-0801
Gardena, CA 90249-2513 FAX: 310-532-0866