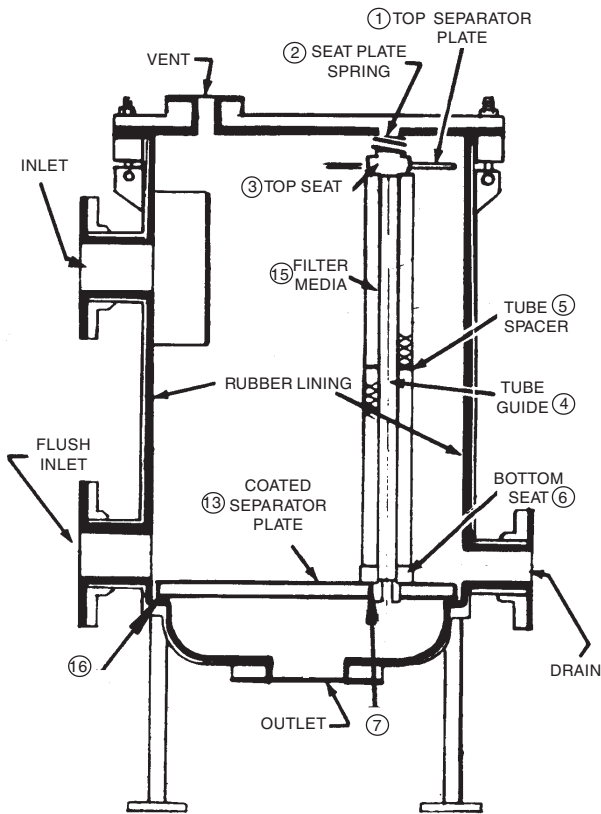


'Y' CHAMBER FILTER INTERNALS with REPLACEABLE FILTER MEDIA

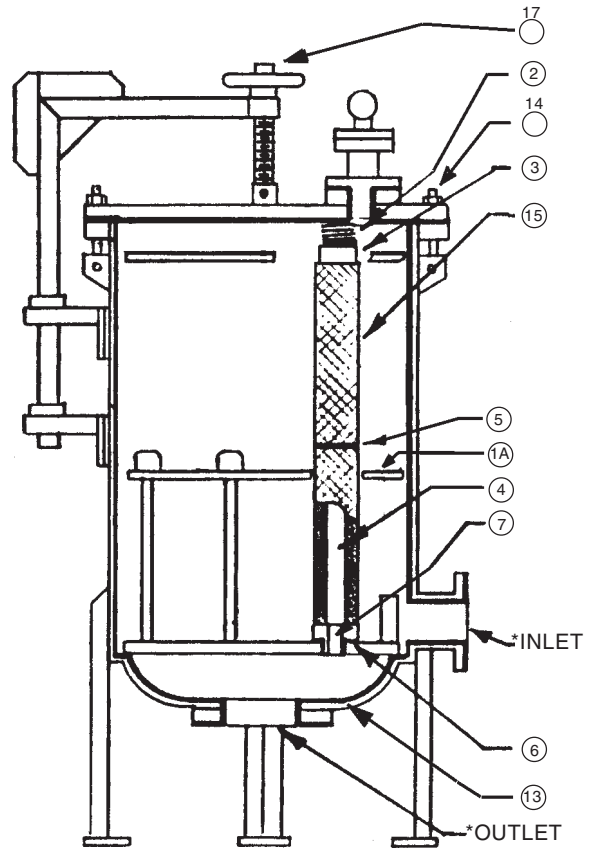
For use on chambers built prior to 1977.

Refer to Bulletin C-203, Operation and Service Guide O-865 and Master Price List F-800



OLD STYLE

Individual stacks of filter media are maintained in a vertical position by placing the top separator plate over the cartridges and then locating the filter cartridge in each opening and placing the top seat plate and spring assembly in each. CPVC (PVDC) tube guides could be used in the 20" and 30" vessels only. Rigid vinyl coated steel tube guides are required in the 40" and 50" models.

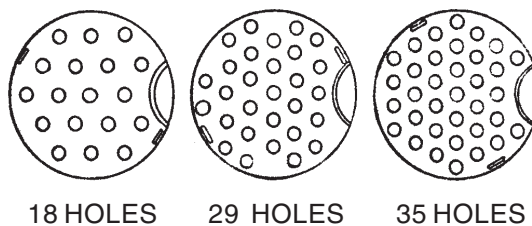


NEW STYLE

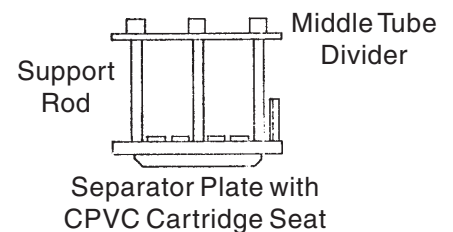
Individual stacks of filter media are maintained in a vertical position by first placing a middle separator plate in the chamber, resting it on the lugs provided and then inserting the filter cartridge and tube guide through each opening into and over the bottom seat plate. CPVC (PVDC) tube guides may be used in place of vinyl coated steel for improved chemical resistance because of the additional support provided by the intermediate separator plate. Any old style plate may be reworked so that the openings for the cartridges are large enough (2³/₄") to slip through. Blocks of Plexiglass cemented in place with 2-part epoxy cement will serve the same purpose as the lugs.

ITEM13C: All CPVC, middle tube divider and separator plate cage assembly. Supplied as a standard after 5-1-76. Note: Bottom seat plate (item 6), and bottom seat gasket (item 7), are eliminated.

SEPARATOR PLATES



1/2" CPVC Threaded Cap



PART DESCRIPTION	MODELS: 12 & 18	MODELS: 24 & 36	MODELS: 52 & 78	MODELS: B51 & B85
	10" Dia. 6 Columns	18" Dia. 12 Columns	18" Dia. 26 Columns	22" Dia. 17 Columns
13C CPVC Support Rods ²	88-0892 2 88-0892 3 -	88-0892 2 88-0892 3 -	88-0892 2 88-0892 3 -	- 88-0892 3 88-0892 5
13C Middle Tube Divider (CPVC)	88-0881	88-0882	88-0883	88-0884
13C Separator Plate (CPVC)	77-0816	77-0817	77-0818	77-0819
13R Separator Plate - Vinyl Coated Steel	77-0509	77-0508	77-0547	77-0501
13SS Separator Plate - 316SS	77-0529	77-0528	77-0548	77-0521
13S Separator Plate - Steel	77-0719	77-0718	77-0549	77-0511
16S Separator Plate Gasket (Neoprene)	22-0154	22-0153	22-0153	22-0155
1 Top Tube Divider - CPVC	88-0515	88-0514	88-0518	88-0501
1A Middle Tube Divider - CPVC	88-0515A	88-0514A	88-0518A	88-0501A
14 Swing Bolt (1/2" x 6" lg.)	77-0670	77-0670	77-0670	77-0670
14 Swing Bolt (1/2" x 3 1/2" lg.)	77-0671	77-0671	77-0671	77-0671
14 Swing Bolt (5/8" x 8" lg.)	-	-	-	-
14 Swing Bolt (5/8" x 5 1/2" lg.)	-	-	-	-
17 Davit Lift Assembly	N.A.	77-0619	77-0619	77-0159

PART DESCRIPTION	MODELS: 81 & 135	MODELS: 105 & 175	MODEL: B175	MODEL: 300
	22" Dia. 27 Columns	22" Dia. 35 Columns	28" Dia. 35 Columns	28" Dia. 60 Columns
13C CPVC Support Rods ²	- 88-0892-3 88-0892-5	- 88-0892-3 88-0892-5	- - 88-0892-5	- - 88-0892-5
13C Middle Tube Divider (CPVC)	88-0885	88-0886	88-0887	88-0888
13C Separator Plate (CPVC)	77-0820	77-0821	77-0822	77-0823
13R Separator Plate - Vinyl Coated Steel	77-0510	77-0502	77-0503	77-0504
13SS Separator Plate - 316SS	77-0730	77-0522	77-0523	77-0524
13S Separator Plate - Steel	77-0720	77-0512	77-0513	77-0514
16S Separator Plate Gasket (Neoprene)	22-0155	22-0155	22-0156	22-0156
1 Top Tube Divider - CPVC	88-0510	88-0502	88-0512	88-0513
1A Middle Tube Divider - CPVC	88-0510A	88-0502A	88-0512A	88-0513A
14 Swing Bolt (1/2" x 6" lg.)	77-0670	77-0670	-	-
14 Swing Bolt (1/2" x 3 1/2" lg.)	77-0671	77-0671	-	-
14 Swing Bolt (5/8" x 8" lg.)	-	-	77-0672	77-0672
14 Swing Bolt (5/8" x 5 1/2" lg.)	-	-	77-0673	77-0673
17 Davit Lift Assembly	77-0159	77-0159	77-0271	77-0271

PART DESCRIPTION	MODEL: B300	MODEL: 445	MODEL: B445
	32" Dia. 60 Columns	32" Dia. 89 Columns	44" Dia. 89 Columns
13C CPVC Support Rods ²	- -	- -	- -
13C Middle Tube Divider (CPVC)	88-0892-5	88-0892-5	88-0892-5
13C Separator Plate (CPVC)	88-0889	88-0890	88-0891
13C Separator Plate (CPVC)	77-0824	77-0825	77-0826
13R Separator Plate - Vinyl Coated Steel	77-0505	77-0506	77-0507
13SS Separator Plate - 316SS	77-0525	77-0526	77-0527
13S Separator Plate - Steel	77-0515	77-0516	77-0517
16S Separator Plate Gasket (Neoprene)	22-0157	22-0157	22-0158
1 Top Tube Divider - CPVC	88-0505	88-0511	88-0516
1A Middle Tube Divider - CPVC	88-0505A	88-0511A	88-0516A
14 Swing Bolt (1/2" x 6" lg.)	-	-	-
14 Swing Bolt (1/2" x 3 1/2" lg.)	-	-	-
14 Swing Bolt (5/8" x 8" lg.)	77-0672	77-0672	77-0672
14 Swing Bolt (5/8" x 5 1/2" lg.)	77-0673	77-0673	77-0673
17 Davit Lift Assembly	77-0272	77-0272	77-0550

R = Lined Vessel (Rubber or Koroseal)
S = Steel Vessel

SS = 316 Stainless Steel Vessel
B = Sleeve Filtration

Refer to Sales Department for sleeve filter adaptation to steel vessel

PART DESCRIPTION	20" COLUMN LENGTH (2 Deck) ²	30" COLUMN LENGTH (3 Deck) ²	50" COLUMN LENGTH (5 Deck) ²
	MODEL NO. - (#) COLUMNS	MODEL NO. - (#) COLUMNS	MODEL NO. - (#) COLUMNS
	12 - (6)	18 - (6)	B85 - (17)
	24 - (12)	36 - (12)	135 - (27)
	52 - (26)	78 - (26)	175 & B175 - (35)
		B51 - (17)	3000 & B3000 - (60)
		81 - (89)	4450 & B4450 - (89)
		105 - (35)	
2R Hold Down Spring (Vinyl Coated) ¹	77-0301	77-0301	77-0301
2S Hold Down Spring Ass'y (Steel) ¹	77-0706	77-0706	77-0706
2SS Hold Down Spring Ass'y (316SS) ¹	77-0704	77-0704	77-0704
3R Top Seat Plate (Polypropylene) w/Vinyl Spring ¹	77-0701	77-0701	77-0701
4R Tube Guide (CPVC)	88-0350	88-0351	88-0353
4R Tube Guide (Steel, Vinyl Coated)	77-0201	77-0202	77-0204
4SS Tube Guide (316SS)	77-0227	77-0228	77-0230
4S Tube Guide (Steel)	77-0222	77-0223	77-0225
5RS Tube Spacer (Neoprene)	22-0202	22-0202	22-0202
5RS Tube Spacer (Ethylene propylene)	22-0218	22-0218	22-0218
5S Tube Spacer (Steel, Cad. Plated)	22-0203	22-0203	22-0203
5R Tube Spacer (CPVC)	22-0214	22-0214	22-0214
6R Bottom Seat Plate (polypropylene)	77-0702	77-0702	77-0702
6S Bottom Seat Plate (steel)	77-0705	77-0705	77-0705
6SS Bottom Seat Plate (316SS)	77-0707	77-0707	77-0707
7R Bottom Seat Plate Gasket (Neoprene)	22-0101	22-0101	22-0101
15 Depth Tube Filtration	Refer to selection guide, price list and operating instructions.		
15R Sleeve Filtration	Refer to Price List F-800 and Parts List P-8600.		

R = Lined Vessel (Rubber or Koroseal)
S = Steel Vessel
SS = 316 Stainless Steel Vessel
B = Sleeve Filtration

¹ Recommended replacement and repair parts
² Suffix number 2, 3, or 5 after #88-0892 refers to 2, 3, or 5 decks as identified above.
Example Model 81 is 3 deck and therefore 88-0892 3.
Refer to Sales Department for sleeve filter adaptation to steel vessel

INCLUDE MODEL NUMBER WHEN ORDERING PARTS



SERFILCO® LTD.

2900 MacArthur Blvd. 847-509-2900
Northbrook, IL 60062-2005 U.S.A. 800-323-5431
e-mail: sales@serfilco.com FAX: 847-559-1995
www.serfilco.com

WESTERN

13721 Alma Avenue 310-532-0801
Gardena, CA 90249-2513 FAX: 310-532-0866