

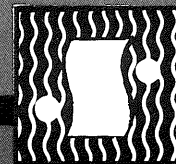
P - 100

PARTS LIST

SERFILCO FILTERS

MODEL P1-1

MODEL P3-1



SERFILCO

DIVISION OF SERVICE FILTRATION CORPORATION

7408 Milwaukee Avenue • Niles, Illinois 60648

Telephone—Area Code 312 647-9568 763-8070

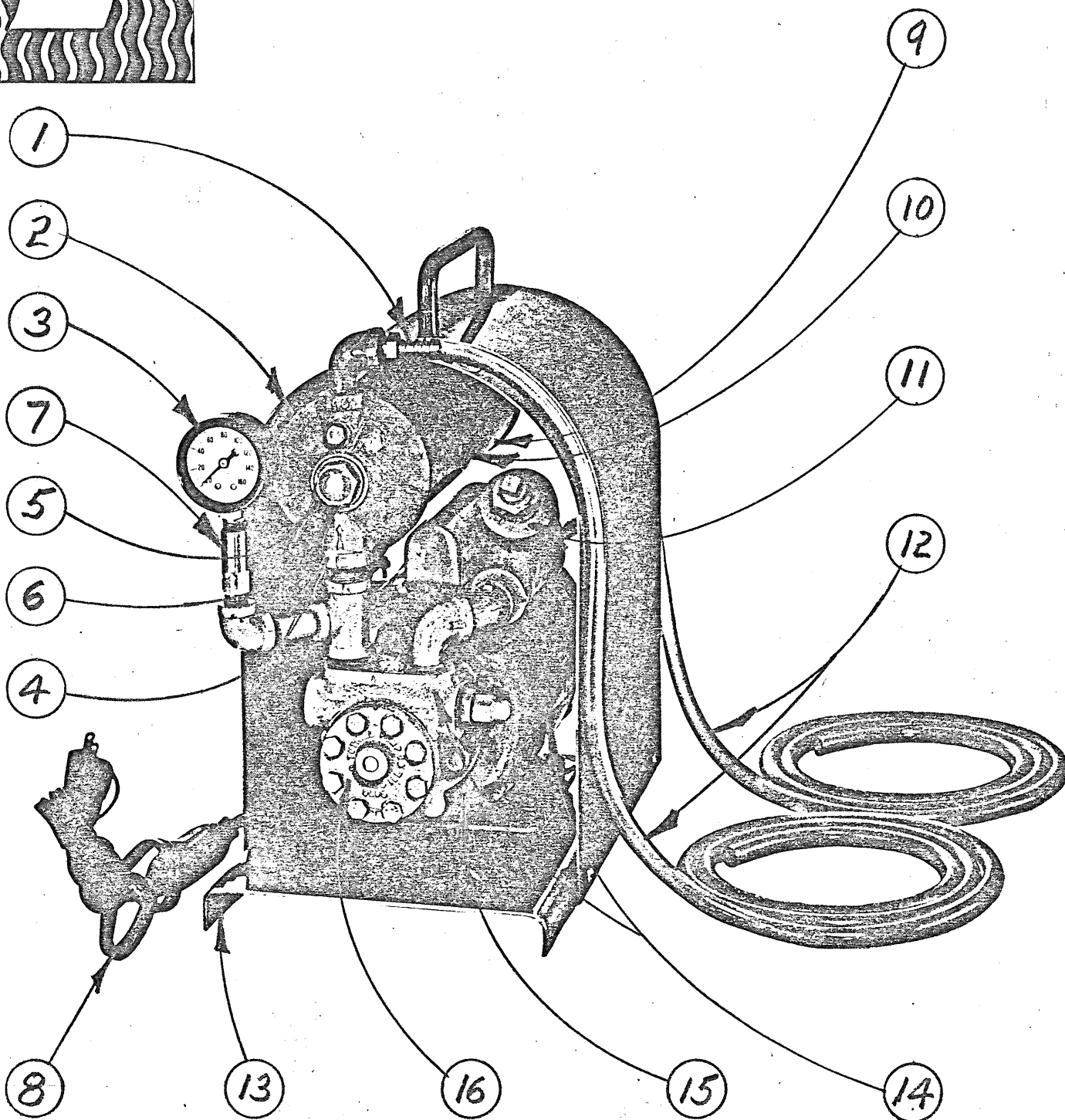
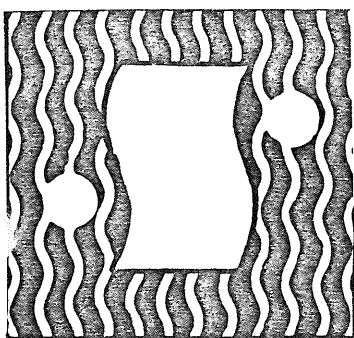
DESCRIPTION	PART NO.	PRICE
1 Brass hose barb P1-1, P3-1	77-550	.56
2 "O" ring gasket P1-1, P3-1		
Buna N	22-128	.73
Teflon	22-129	4.73
Viton A	22-130	8.73
Neoprene	22-131	.89
Silicone	22-132	1.45
3 2 1/2" Pressure gauge 0-160 PSI P1-1, P3-1	99-101	4.05
4 Filter tank complete less cartridge P1-1, P3-1	77-134	15.50
5 Cover nut gasket P1-1, P3-1		
Vulcanized fiber	22-103	.10
Blue asbestos	22-104	.15
White asbestos	22-105	.10
Buna N Cork	22-111	.88
6 Filter cover nut P1-1, P3-1	77-135	1.38
7 1/2" Gauge snubber P1-1, P3-1	99-102	1.20
8 8' Electric cord & inline switch P1-1, P3-1	66-301	2.50
9 Filtering tube centering spring P1-1, P3-1	44-137	.10
10 Filter center bolt P1-1, P3-1	77-138	1.52
11 3/8" Strainer P1-1	33-801	3.10
1/2" Strainer P3-1	33-802	3.30
13 3/8" ID x 1/2" OD clear tubing		
Suction 10' long P1-1	22-422	4.00
3/8" ID x 1/2" OD clear tubing		
Discharge 10' long	22-422	4.00
1/2" ID x 5/8" OD clear tubing		
Suction 10' long P3-1	22-402D	6.00
1/2" ID x 5/8" OD clear tubing		
Discharge 10' long P3-1	22-402D	6.00
16 Base & Cover nickel plated P1-1, P3-1	77-131	25.65

DESCRIPTION	PART NO.	PRICE
12 Pump & 1/4 HP motor (Tuthill) P1-1	44-401	106.50
Pump & 1/4 HP motor (MTE) P1-1	44-411	106.50
Pump & 1/3HP motor (Tuthill) P3-1	44-4010	114.20
Pump & 1/3HP motor (MTE) P3-1	44-4110	114.20
15 Motor only (Tuthill) 1/4HP P1-1	66-110	57.50
Motor only (MTE) 1/4HP P1-1	66-111	64.32
Motor only (Tuthill) 1/3HP P3-1	66-108	61.00
Motor only (MTE) 1/3HP P3-1	66-109	71.84
14 Pump only (Tuthill) P1-1	55-501	49.00
Pump only (MTE) P1-1	55-502	46.00
Pump only (Tuthill) P3-1	55-503	52.20
Pump only (MTE) P3-1	55-504	48.80
<u>Pump parts (Tuthill) P1-1</u>		
Housing plug assembly	44-407	11.25
Housing & Bushing assembly	44-406	17.35
Rotor	44-404	17.35
Idler	44-405	3.30
Cover gasket	22-326	.30
Housing cap gasket	22-327	.25
Relief valve assembly	44-409	6.20
<u>Pump parts (Tuthill) P3-1</u>		
Housing plug assembly	44-408	11.25
Housing & Bushing assembly	44-406A	17.35
Rotor	44-404A	17.35
Idler	44-405A	4.00
Cover gasket	22-326	.30
Housing cap gasket	22-327	.25
Relief valve assembly	44-409	6.20
<u>Pump parts (MTE) P1-1</u>		
Case	44-410	4.40
Gear	44-411	2.80
Drive Shaft	44-412	4.00
Idler Shaft	44-413	2.00
Seal	44-414	.80
Relief valve assembly	44-415	1.20
<u>Pump parts (MTE) P3-1</u>		
Case	44-416	5.40
Gear	44-417	3.45
Drive Shaft	44-418	4.40
Idler Shaft	44-419	2.40
Seal	44-414	.80
Relief valve assembly	44-415	1.20

PARTS LIST

P-100A
9/15/73

TRANS-O-FILTER



HAND-CARRY MODELS S10 3/8S TS 1
S10 1/2S TS 3

SERFILCO®

DIVISION OF SERVICE FILTRATION CORPORATION

1415 Waukegan Road, Northbrook, Illinois 60062
(312) 498-1010 (Chgo.) 273-3240 Telex: 253699

REPRESENTED BY

(Printed in U.S.A.)

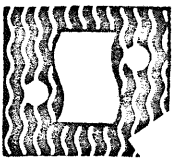
DESCRIPTION	PART NO.	PRICE
1. Brass hose barb	(S10-3/8, S10½)	33-350 \$.95
2. "O" Ring Gasket	(S10-3/8, S10½)	
Buna N	22-128	.80
Teflon	22-129	5.50
Viton A	22-130	9.85
Neoprene	22-131	1.15
Silicone	22-132	4.15
Ethylene Propylene	22-120	3.60
3. Pressure Gauge 0-60 PSI	99-101	5.25
4. Filter Chamber	77-134	18.00
5. Cover nut gasket	(S10-3/8, S10½)	
Buna N	22-111	.20
Teflon	22-112	.95
Viton A	22-113	.75
Silicone	22-114	.80
Neoprene	22-115	.50
6. Filter cover nut	(S10-3/8, S10½)	77-135 1.20
7. ¼" Gauge snubber	(S10-3/8, S10½)	99-102 1.40
8. Electric cord - 8'	66-302	2.20
9. Filtering tube centering spring	77-137	.10
10. Filter center bolt	(S10-3/8, S10½)	77-138 2.75
11. Strainer - 3/8"	(S10-3/8)	33-801 4.00
" - 1/2"	(S10-3/8)	33-802 4.20
12. 3/8" I.D. x 1/2" O.D. vinyl tubing	22-422	4.00
Suction & Discharge - 10' long		
13. Base & Cover	(S10-3/8, S10½)	77-131 25.00
14. Pump and ¼ H.P. Motor	(S10-3/8)	44-401 189.75
Pump and 1/3 H.P. Motor	(S10½)	44-402 199.45
15. Motor only - 1/3 H.P.	(S10½)	44-433 43.25
Motor only - 1/4 H.P.	(S10-3/8)	44-401B 41.25
16. Pump only	(S10-3/8)	44-401A 86.65
Pump only	(S10½)	44-402A 91.50
<u>PUMP PARTS</u>	<u>(S10-3/8)</u>	
Housing plug assembly	44-407	12.00
Housing & Bushing assembly	44-406	48.50
Rotor	44-404	38.50
Idler Gear	44-405	7.50
Cover gasket	22-326	.35
Cover assembly	44-434	16.75
Relief valve assembly	(S10-3/8, S10½)	44-409 14.80
Idler pin	44-437	1.75
<u>PUMP PARTS</u>	<u>(S10½)</u>	
Housing plug assembly	44-407	12.00
Housing & Bushing assembly	44-406A	48.50
Rotor	44-404A	40.95
Idler	44-405A	8.50
Cover gasket	22-326	.35
Cover assembly	44-435	17.85
Idler pin	44-438	1.75
Seal Assembly - Buna-N	(S10-3/8, S10½)	44-422 10.60
Seal "O" Ring - Buna-N	(S10-3/8, S10½)	44-423 .65
Seal Assembly - Viton-A	(S10-3/8, S10½)	44-424 29.00
Seal "O" Ring - Viton-A	(S10-3/8, S10½)	44-421 2.65

FILTER MEDIA: For replacements, refer to appropriate price list.

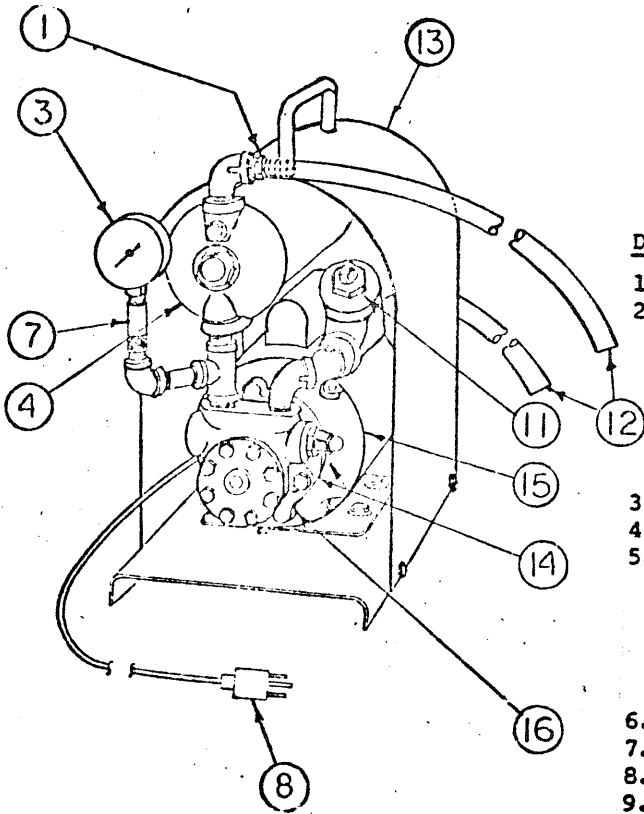
NOTE: Request Sentry Price List F-240 for larger systems.

Minimum order - \$10.00

SERFILCO®



TRANS-O-FILTER

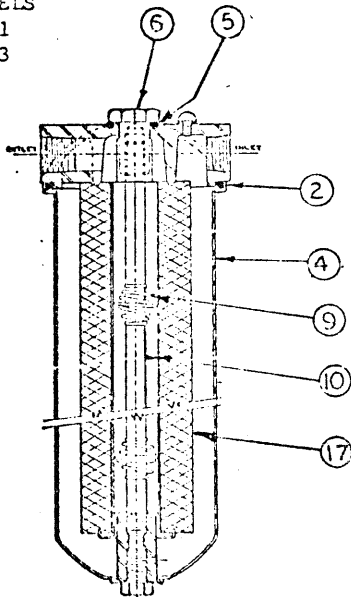


REFER TO MASTER PRICE LIST F-800

DESCRIPTION

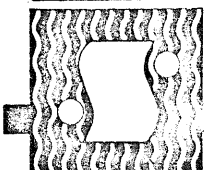
		PART NO.
1.	Brass Hose Barb (S10-3/8, S10½)	33-350
2.	"O" Ring Gasket (S10-3/8, S10½)	
	Buna N	22-128
	Teflon	22-129
	Viton A	22-130
	Neoprene	22-131
	Silicone	22-132
	Ethylene Propylene	22-120
3.	Pressure Gauge 0-60 PSI	99-101
4.	Filter Chamber	77-134
5.	Cover Nut Gasket (S10-3/8, S10½)	
	Buna N	22-111
	Teflon	22-112
	Viton A	22-113
	Silicone	22-114
	Neoprene	22-115
6.	Filter Cover Nut (S10-3/8, S10½)	77-135
7.	¾" Gauge Snubber (S10-3/8, S10½)	99-102
8.	Electric Cord, 8'	66-302
9.	Filtering Tube Centering Spring	77-137
10.	Filter Center Bolt (S10-3/8, S10½)	77-138
11.	Strainer - 3/8" (S10-3/8)	33-801
	- 1/2" (S10-3/8)	33-802
12.	3/8" I.D. x 1/2" O.D. Vinyl Tubing	22-422
	Suction & Discharge - 10' long	
13.	Base & Cover (S10-3/8, S10½)	77-131
14.	Pump and ¼ H.P. Motor (S10-3/8)	44-401
	Pump and 1/3 H.P. Motor. (S10½)	44-402
15.	Motor Only	See Parts List P-3200
16.	Pump Only	See Parts List P-3200
17.	Cartridge	See FC-976

HAND-CARRY MODELS
S10 3/8S TS 1
S10 1/2S TS 3



FILTER MEDIA: For replacements, refer to appropriate price list.
NOTE: Request Sentry Price List F-240 for larger systems.
Minimum order \$15.00

F.O.B. Northbrook, Illinois Terms: 1 - 10, Net 30 Prices contained herein subject to change without notice.



SERFILCO®

REPRESENTED BY

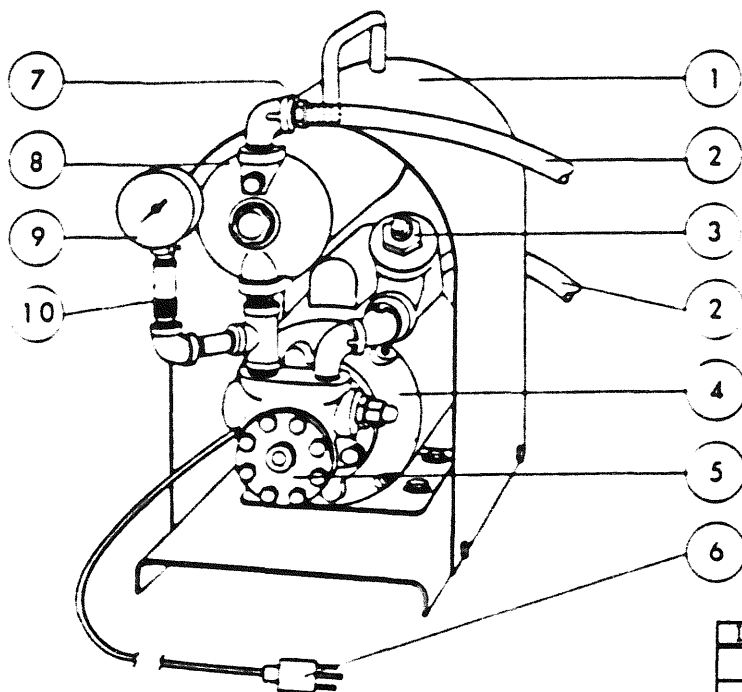
1415 Waukegan Road, Northbrook, Illinois 60062
(312) 498-1010 (Chgo.) 273-3240 Telex: 253699

(Printed in U.S.A.)

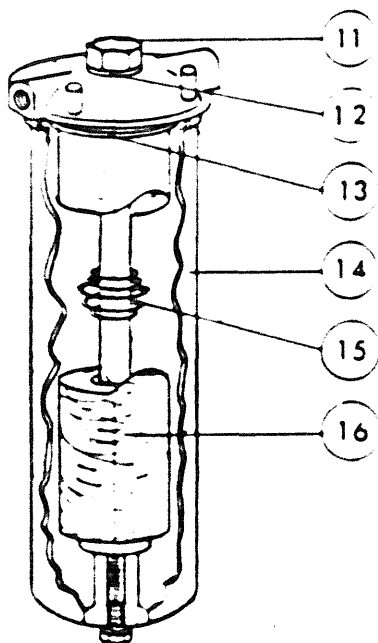
HAND-CARRY TRANS-O-FILTER

PARTS LIST
P-100C
APR. 1983

Refer to Operation & Service Guide O-180
& Parts List P-3200



MODEL: S10 1/2S TS 3
PRICE CODE NO.: 1402A



Refer to Master Price List F-800

ITEM	DESCRIPTION	PART NO.
1	Base and cover	77-0131
*2	Vinyl tubing, 3/8" I.D. x 1/2 O.D.	22-0422
3	Strainer, 1/2"	33-0802
4	Motor only, See Parts List P-3200	
5	Pump only, See Parts List P-3200 Pump and 1/3 HP motor, 115/230/1/60, TEFC 1725 RPM, (Standard)	44-0402
6	Electric cord 8 ft.	66-0302
7	Brass hose adapter	33-0350
8	Filter chamber	77-0134
9	Pressure gauge 0-60 PSI	99-0101
10	Gauge snubber, 1/4 x 1/4	99-0102
11	Filter cover nut	77-0135
*12	Cover nut gasket - Buna N (Standard) - Teflon - Viton A - Silicone - Neoprene	22-0111 22-0112 22-0113 22-0114 22-0115
*13	"O" ring gasket - Buna N (Standard) - Teflon - Viton A - Neoprene - Ethylene propylene - Silicone	22-0128 22-0129 22-0130 22-0131 22-0120 22-0132
14	Filter chamber housing	77-0139
15	Filtering tube centering spring	77-0137
16	Filter center bolt	77-0138
*17	Cartridge, Refer to Product Catalog	

*Recommended Spare Parts.

F.O.B. Northbrook, Illinois

Terms: Net 30 Days

Minimum order \$25.00



SERFILCO, LTD.

1777 Sherman Road
Northbrook, IL 60062-5360 U.S.A.
Telex: 289557 SERFC UR

708-559-1777
800-323-5431
FAX: 708-559-1995

DISTRIBUTED BY

EASTERN

One Lark Avenue 717-656-2181
Leola, PA 17540 FAX: 717-658-0477
Telex: 285564 ASM UR

WESTERN

5005 S. Hampton Street 213-588-0801
Los Angeles, CA 90058 FAX: 213-588-6826