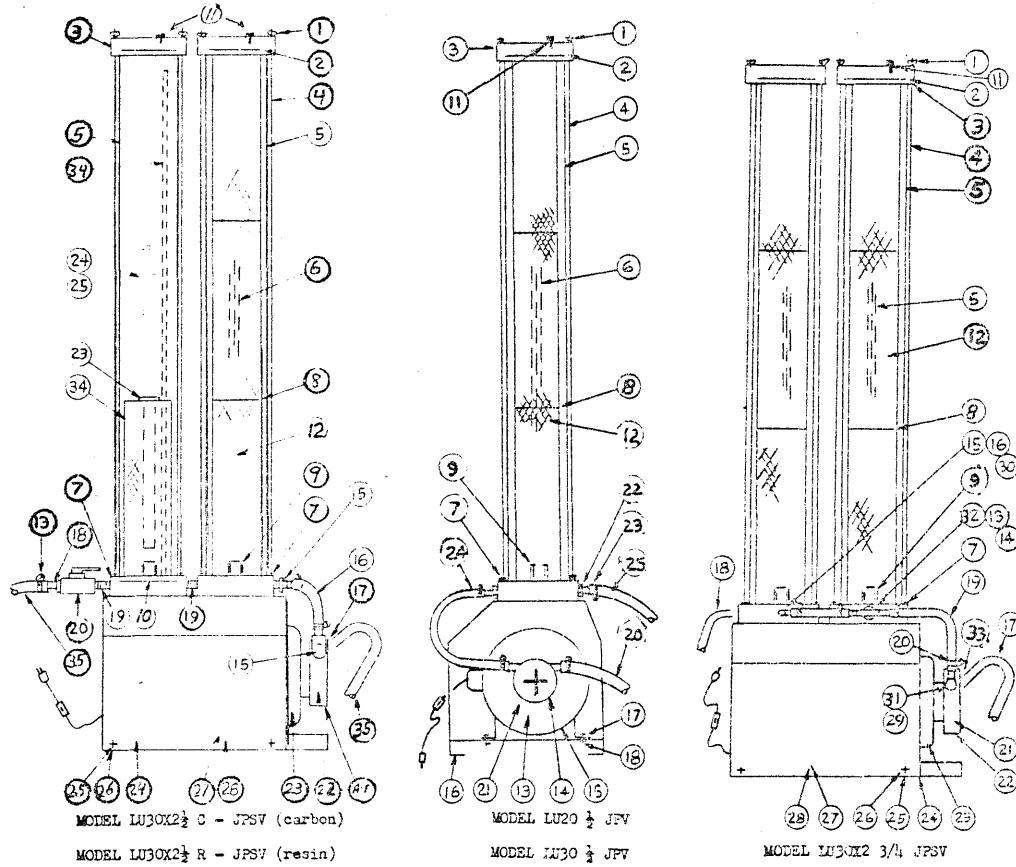
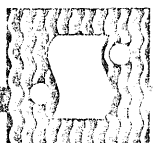


PARTS LIST



- Model ___ 20 1/2 JPV (Series "A")
- Model ___ 30 1/2 JPV (Series "A")
- Model ___ 30X2 3/4 JPSV
- Model ___ 30X2C 3/4 JPSV
- Model ___ 30X2R 3/4 JPSV



SERFILCO

7433 NORTH HARLEM AVENUE CHICAGO, ILLINOIS 60648
Telephone: Area code 312 647-9588 763-8070

SERFILCO FILTRATION SYSTEMS

Model 20 1/2" JPV (Series "A")

Model 30 1/2" JPV (Series "A")

Include model number when ordering parts

<u>FILTER CHAMBER-</u>	<u>PART NO.</u>	<u>PRICE</u>
See attached Parts List		

BASE, PIPING & HOSE for 20 & 30 Units

22 - Hose Adapter 1/2" St. PP	33-128	\$.40
23 - Hose Clamp SS	22-502	.40
7 - 1/4"-20 SS Hex Nut	11-103	.45
24 - Filter Inlet Hose 5/8" Vinyl Reinf.		
25 - Discharge Hose 10'x 5/8" "	" 22-429	18.30
20 - Suction Hose 10 Ft.x5/8" "	" 22-429	18.30
16 - Base - Vinyl Coated	77-102	29.00

PUMP & MOTOR

13 - Pump-Motor Assembly	44-205	76.50
14 - Pump Assembly (316 Shaft)	44-221	24.00
14A - Seal	44-231**	.50
14B - Impeller - Neoprene	44-232**	2.45
14C - Impeller - Pin-Titanium	44-233	2.00
14D - Body Sub Assembly	44-234	14.60
14E - End Cover	44-235	7.25
14F - Stainless Steel Shaft	44-236**	6.65
14G - Hastelloy "B" Shaft	44-237**	20.20
14I - Titanium Shaft	44-239**	20.20
14K - "O" Ring	44-241**	.72
15 - Motor-Cord-Switch	66-101	55.00
17 - 1/4"-20 X 3/4 SS Motor Mtg. Bolt	11-133	.20
18 - 1/4"-20 SS Motor Mtg. Nut	11-103	.45
21 - Coupling	99-111	3.30

PIPING & HOSE FOR 30X2 Purifier Units

13 - Hose Clamp SS	22-502	.40
15 - Hose Adapter Elbow 1/2" PP	33-121	.40
16 - Filter Inlet Hose 5/8" Syn.Rbr.		
17 & 18 - Suction & Disch.Hose Adapt. 1/2" PP - St.	33-128	.40
19 - Nipple 1/2 x Short	33-163	1.35
20 - Flow Control Valve PVC 1/2 PP Ball Type	33-150	12.75
Flow Control Valve PP 1/2"Dia.	33-011	22.50
35 - - Suction or Disch.Hose 10' 5/8" Vinyl Reinf.	22-429	18.30

SERFILCO FILTRATION SYSTEMS

Model 30X2 3/4 JFSV

Model 30X2C 3/4 JPSV

Model 30X2R 3/4 JPSV

<u>FILTER CHAMBER</u>	<u>PART NO.</u>	<u>PRICE</u>
See attached Parts List, with the exception of the following items used in the Purifier Chamber.		

5 - Plexiglas - Shell & Base Assembly	88-212	\$81.00
- Plexiglas - Shell Only	88-103	57.00
- Plexiglas - Base Only	88-206	25.00
10 - Gasket - Plant Fiber	22-304	.20
34 - Percolator Tube	88-407	6.80
23 - Plug	88-408	3.50
24 - Carbon Bed (C) - See Price List attached.		
25 - Rosin Bed (R) - " " " "		
34 - Trap Cartridge SF-U3A6U		1.78

BASE, PIPING & HOSE for 30X 2 Units

33 - Suction Hose Adap.-Straight-Red. 1/2x3/4" PP	33-138	.60
31 - Pump Outlet Hose Adap.-Red.Elbow 1/2x3/4" PP	33-245	.60
32 - Hose Adap. Tee 3/4x3/4x1/2 NPT PP	33-165	.75
13 - Bushing (Old Style Only - 1965)	33-240	.60
14 - Nipple 1/2" x 2" PP	33-140	1.35
15 - Filter Inlet Hose Adap.-Red.Elbow 1/2 x 3/4	33-245	.60
16 - Nipple 1/2" x 2 1/2" PP	33-135	1.35
17 - Suction Hose 3/4 - 10' Vinyl Reinf.	22-437	21.50
18 - Discharge Hose 3/4 x 10' Vinyl Reinf.	22-437	21.50
19 - Pump Outlet Hose 3/4" Syn. Rbr.		
20 - Hose Clamp SS	22-502	.40
24 - Base Assembly (Vinyl Coated)	77-103	44.00
25 - Base Mtg. Bolt 1/4"-20 x 3/4 SS	11-133	.20
26 - Base Mtg. Nut 1/4"-20 SS	11-103	.45
29 - Nipple 1/2 x Close PP	33-134	1.35
30 - Filter Outlet Hose Adapt.St.-Red. 1/2x3/4"	33-138	.60

PUMP & MOTOR

21 - Pump-Motor Assembly	44-222	159.75
22 - Pump Assembly	44-228	106.60
22A- Impeller-Shaft	44-244**	12.50
22B- Shaft Seal	44-240**	2.85
22C- Wear Plate	44-247**	2.50
22D- Gasket	44-227**	.55
22E- Seal Liner	44-226**	4.15
22F- Pump Body	44-255	13.50
23 - Motor-Cord-Switch	44-229	72.90
27 - Motor Mtg. Bolt 1/4"-20 x 3/4SS	11-133	.20
28 - Motor mtg. Nut 1/4"-20SS	11-103	.45

*Recommended replacement & repair parts.

F.O.B Chicago, ILL.
1-10, Net 30

Printed in U.S.A.
Minimum order - \$10.00.