



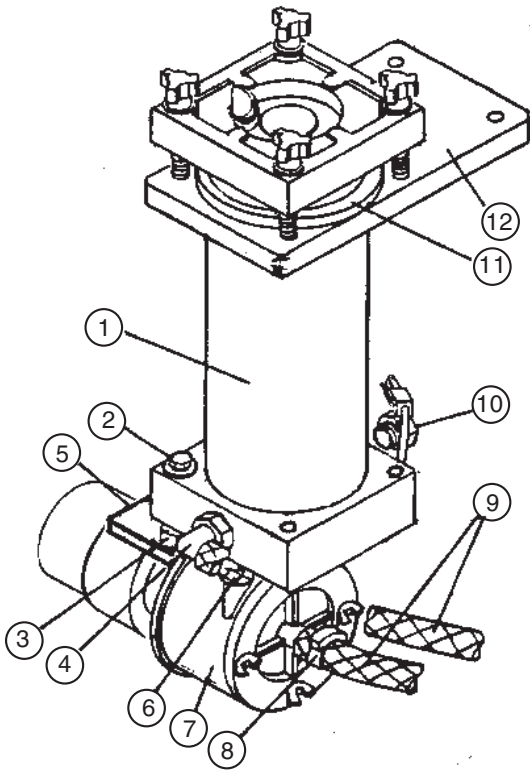
# SERIES 'ET' LABMASTER FILTRATION SYSTEMS

(models manufactured after 7/2004 see parts list P-0020)

Refer to Bulletin F-203, Operation & Service Guide O-390 and filter chamber and pump operating instructions.

Refer to Master Price List F-800

Please give serial number & nameplate data when ordering parts.



ITEM	DESCRIPTION	PART NO.
1	Filter chamber w/special base, See Parts List P-9700	
2	Hex bolt, 1/4"-20 x 2-3/4" -stainless steel (2 req'd) Flat washer, 1/4" size -stainless steel (2 req'd) Whiz locknut, 1/4"-20 -stainless steel (2 req'd)	11-0632 11-0121 11-0103
3	Spacer (2 req'd)	44-3194
4	90° elbow hose adapter - CPVC 5/8" hose x 1/2" NPT, male "O"-ring -EPDM -Viton	33-1336 22-0569 22-0568
5	Motor guard - PVC	33-5806
6	Hose, 5/8" x 1-5/16" long - vinyl	22-0491
7	Pump & motor (Series "A"), see Parts List P-2700	
8	Hose clamp, 5/8" - stainless steel (3 req'd)	22-0502
9	Suction & discharge hoses, 5/8" x 6 ft. long - vinyl Nylon reinforced Wire reinforced (For temperatures over 140°F)	22-0614 22-0616
10	Plug, 1/2" NPT - CPVC "O" - ring - EPDM -Viton	33-0866 22-0569 22-0568
11	Retaining collar - CPVC	88-1098
12	Mounting plate, 5" x 9" x 3/4" thick -CPVC	44-3200
13	Suction strainer & hand pump kit (not shown) Includes: Hand pump primer Suction strainer, 5/8" hose	99-0175 99-0160 99-0166

F.O.B. Northbrook, Illinois

Terms: Net 30 Days

Minimum order \$25.00



## SERFILCO<sup>®</sup>, LTD.

2900 MacArthur Blvd.  
Northbrook, IL 60062-2005 U.S.A.  
e-mail: sales@serfilco.com FAX:

www.serfilco.com

847-509-2900  
800-323-5431  
847-559-1995

DISTRIBUTED BY

WESTERN

13721 Alma Avenue FAX: 310-532-0866  
Gardena, CA 90249-2513  
310-532-0801