



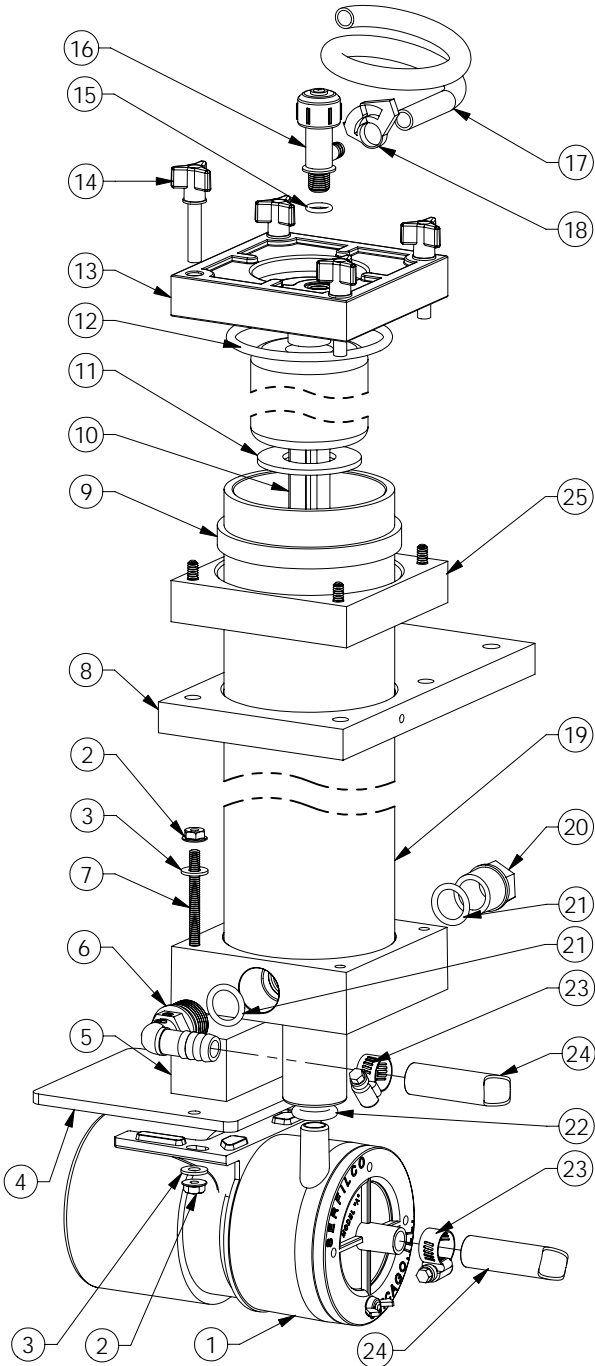
'ET' MODEL

Models manufactured prior 7/2004 see Parts list P-0030

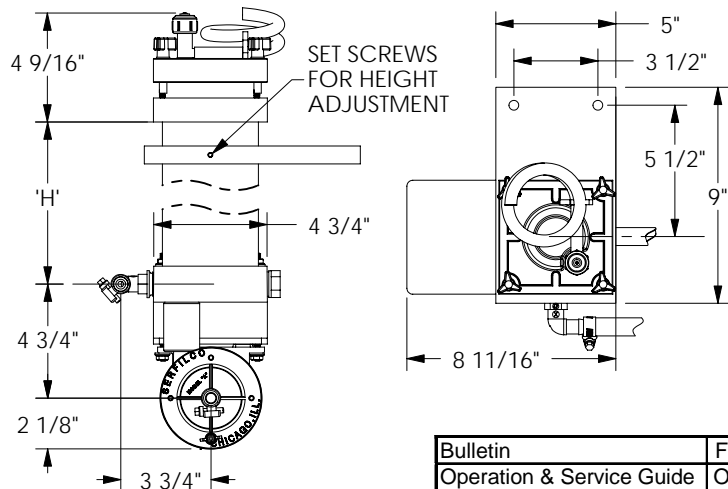
PARTS LIST
P-0020 A (1 of 1)
06/14/06

	MODEL		
PVC	PCLE1A6	PCLE2A6	PCLE3A6
CPVC	CLE1A6	CLE2A6	CLE3A6

ITEM	DESCRIPTION	QTY.	PART NO.	
			CPVC	PVC
1	Pump 'A' Magnetic -CPVC	1	44-1372	
2	Nut Whiz Lock 1/4"-20 -SS	4	11-0103	
3	Flat Washer 1/4" -SS	4	11-0121	
4	Motor Guard -PVC	1	33-5806	
5	Spacer -PVC	1	33-5804	
6	Elbow Hose adpt 5/8"x3/4" MNPT	1	33-0504	
7	Tie Rod 1/4"-20 -SS	2	77-9947	
8	Mounting plate -CPVC	1	44-3200-1	
9	Collar	1	88-1098	
10	Tube Guide	10"	88-0412	
	X-Post	20"	88-0350-4	
		30"	88-0351-4	
11	Spacer -EPDM	1	22-0218	
	-VITON		22-0204	
12	O-Ring -EPDM	1	22-0283	
	-VITON		22-0328	
13	Cover	1	88-0948	
14	Knob	4	11-0298	
15	O-Ring -EPDM	1	22-0870	
	-VITON		22-0870-V	
16	Valve Vent	1	33-8108-PP	
17	Vent Hose	4'	22-0913	
18	Hose Clamp	1	22-0912	
19	Shell & Base Assembly	10"	88-3467-1C	88-3467-1P
		20"	88-3467-2C	88-3467-2P
		30"	88-3467-3C	88-3467-3P
20	Plug 3/4" NPT -CPVC	1	33-0211	
21	O-Ring -EPDM	2	22-0570	
	-VITON		22-0563	
22	O-Ring -EPDM	2	22-0906	
	-VITON		22-0906-V	
23	Hose Clamp 5/8" -SS	2	22-0502	
24	Suction & Discharge Hoses ϕ 5/8"x6"			
	Nylon Reinforced -VINYL	2	22-0614	
	Wire Reinforced (for over 140°F)		22-0616	
25	Cover Hold Down Bracket	1	88-1099	
26	(not shown) Suction Strainer & Hand Pump Kit Hand Pump Primer Suction Strainer 5/8" Hose	1	99-0175 99-0160 99-0166	
27	Filter Cartridge	-	See Bulletin M-109	



MODEL	MEDIA SIZE	'H'
LE1A6	10"	10 3/16"
LE2A6	20"	20 3/16"
LE3A6	30"	30 3/16"



Bulletin	F-203
Operation & Service Guide	O-390

F.O.B Northbrook, Illinois

Terms: Net 30 Days

Minimum order \$50.00



SERFILCO, LTD.

2900 MacArthur Blvd.
Northbrook, IL 60062 U.S.A.
Email: Sales@SERFILCO.com
Web: WWW.SERFILCO.COM

(800) 323-5431
(847) 509-2900
Fax: (847) 559-1995